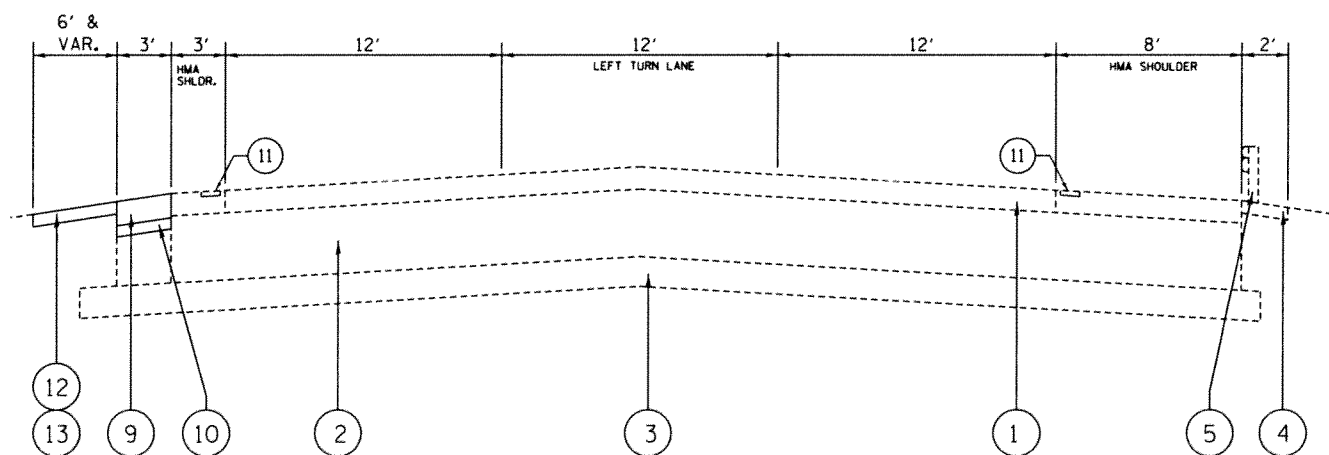


EXISTING TYPICAL SECTION  
STA. 292+92 TO 311+95



PROPOSED TYPICAL SECTION  
STA. 292+92 TO 311+95

**LEGEND:**

- ① EXIST. BITUMINOUS SURFACE, ±6"
- ② EXIST. P.C.C. PAVEMENT, ±9"
- ③ EXIST. STABILIZED SUB-BASE
- ④ EXIST. AGGREGATE SHOULDERS
- ⑤ EXIST. GUARDRAIL
- ⑥ EXIST. GRASS MEDIAN
- ⑦ EXIST. BARRIER MEDIAN
- ⑧ EXIST. RUMBLE STRIPS
- ⑨ PROP. HOT-MIX ASPHALT SHOULDER, 8"
- ⑩ PROP. SUB-BASE GRANULAR MATERIAL, TYPE B, 4"
- ⑪ PROP. SHOULDER RUMBLE STRIPS (8" WIDE)
- ⑫ PROP. CENTERLINE RUMBLE STRIPS (16" WIDE)
- ⑬ PROP. GRADING AND SHAPING SHOULDERS (WHERE NECESSARY)
- ⑭ PROP. AGGREGATE WEDGE SHOULDERS, TYPE B (WHERE NECESSARY)
- ⑮ PROP. STEEL PLATE BEAM GUARDRAIL
- ⑯ PROP. PARTIAL DEPTH REMOVAL, 3"
- ⑰ PROP. PARTIAL DEPTH PATCHING
- ▨ DENOTES ITEMS TO BE REMOVED

FILE NAME = c:\pwork\pwork\stedpa\d0369663\0148	USER NAME = stedpa	DESIGNED -	REVISED -	<b>STATE OF ILLINOIS DEPARTMENT OF TRANSPORTATION</b>	<b>EXISTING AND PROPOSED TYPICAL SECTIONS</b>		F.A.P. RTE.	SECTION	COUNTY	TOTAL SHEETS	SHEET NO.	
		DRAWN -	REVISED -		FAP 305/US 14 (NORTHWEST HWY.)--BUNKER HILL RD. TO IL 47 (EASTWOOD DR.)		305	2013-046 SR	MC HENRY	44	9	
		CHECKED -	REVISED -		SCALE:	SHEET NO. 1 OF 1 SHEETS	STA.	TO STA.	CONTRACT NO. 60W91			
		DATE -	REVISED -		FED. ROAD DIST. NO. 1 ILLINOIS FED. AID PROJECT							