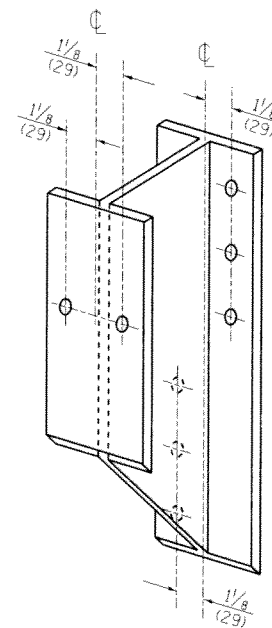
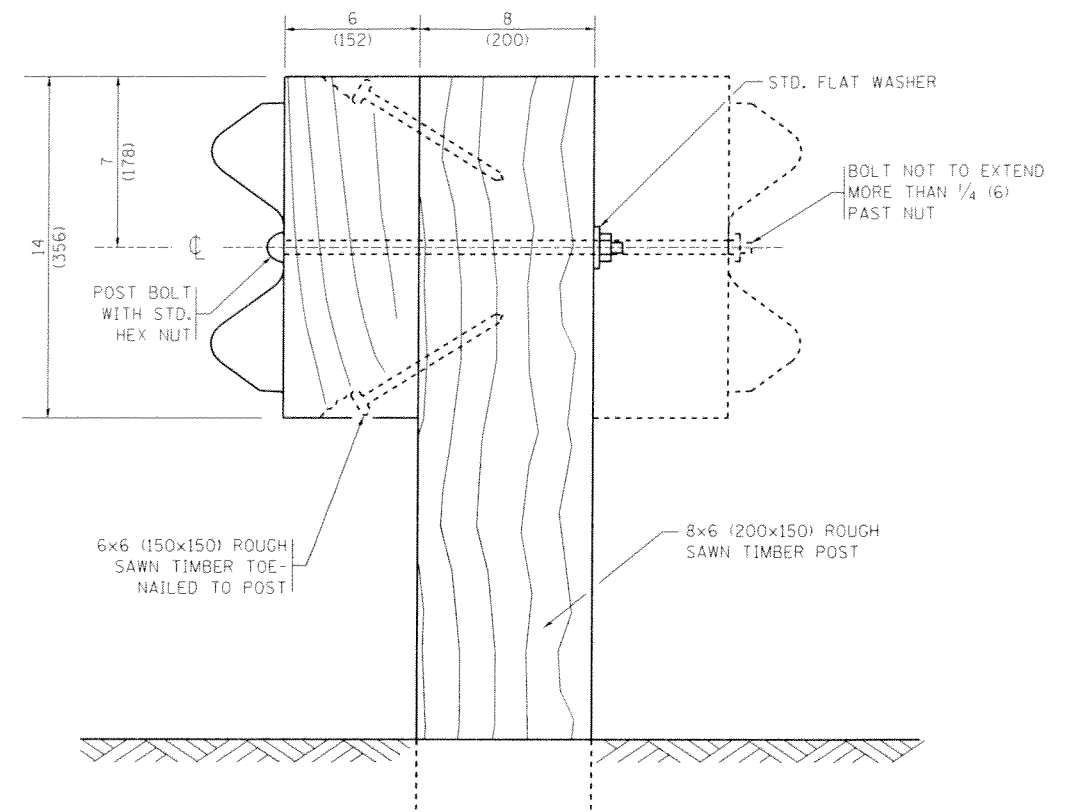


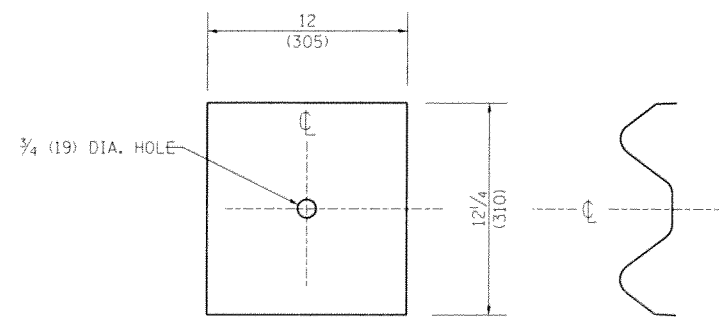
STEEL POST CONSTRUCTION



STEEL BLOCK-OUT DETAIL



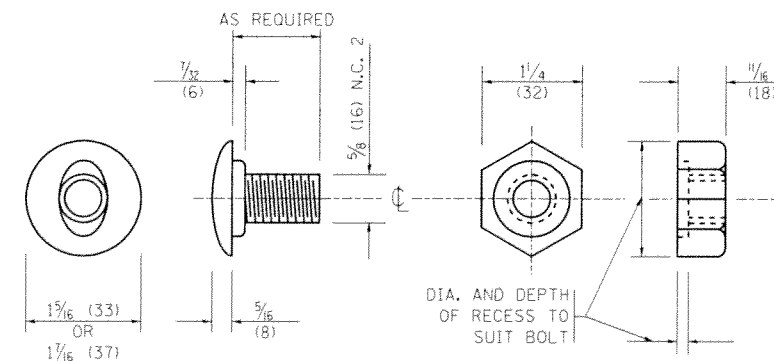
WOOD POST CONSTRUCTION



NOTE:

PLATE A SHALL BE PLACED BETWEEN RAIL ELEMENT AND BLOCK-OUT AT NON-SPLICE MOUNTING POINTS ONLY WHEN STEEL BLOCK-OUTS ARE USED.

PLATE A



POST OR SPLICE BOLT & NUT

FILE NAME =	USER NAME = steedpa	DESIGNED -	REVISED - 10-31-06	STATE OF ILLINOIS DEPARTMENT OF TRANSPORTATION	REMOVE AND REERECT STEEL PLATE BEAM GUARDRAIL	F.A.P. RTE.	SECTION	COUNTY	TOTAL SHEETS	SHEET NO.
cd:\pw_work\pavidot\steadpa\08329923\Dist	td.dgn	DRAWN -	REVISED -			305	2013-046SR	MC HENRY	44	36
	PLOT SCALE = 100,0000 1/ in.	CHECKED -	REVISED -			BM-21		CONTRACT NO. 60W91		
	PLOT DATE = 3/27/2014	DATE -	REVISED -			SCALE: NONE	SHEET NO. 2 OF 4 SHEETS	STA.	TO STA.	FED. ROAD DIST. NO. 1 ILLINOIS FED. AID PROJECT