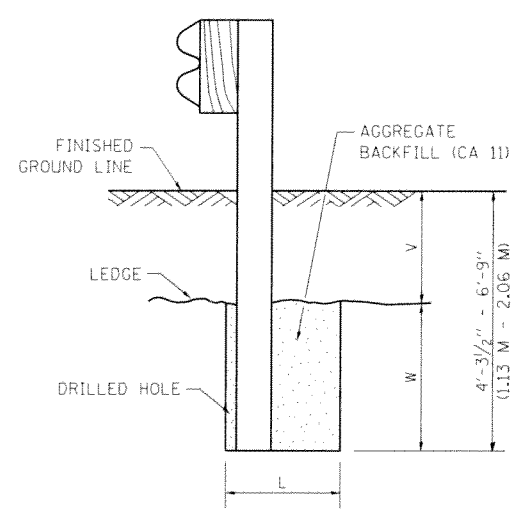


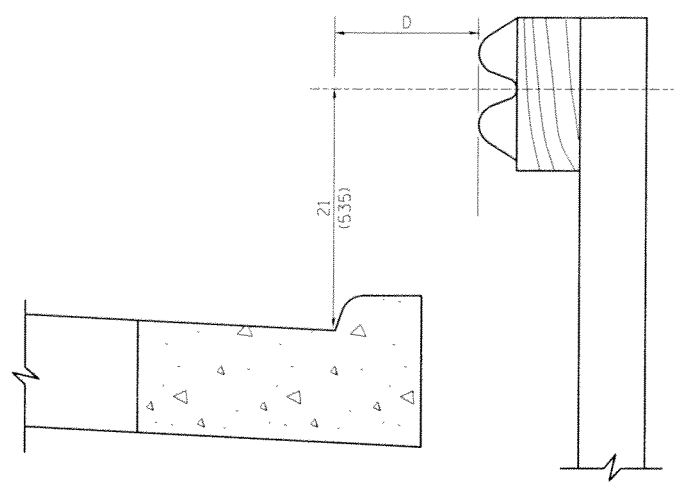
**PLAN**



**NOTE:**  
LEDGE LINE IS TOP OF ROCK LEDGE OR HARD SLAG FILL.

**ELEVATION**

**FOOTING FOR POST WHEN IMPERVIOUS MATERIAL IS ENCOUNTERED**

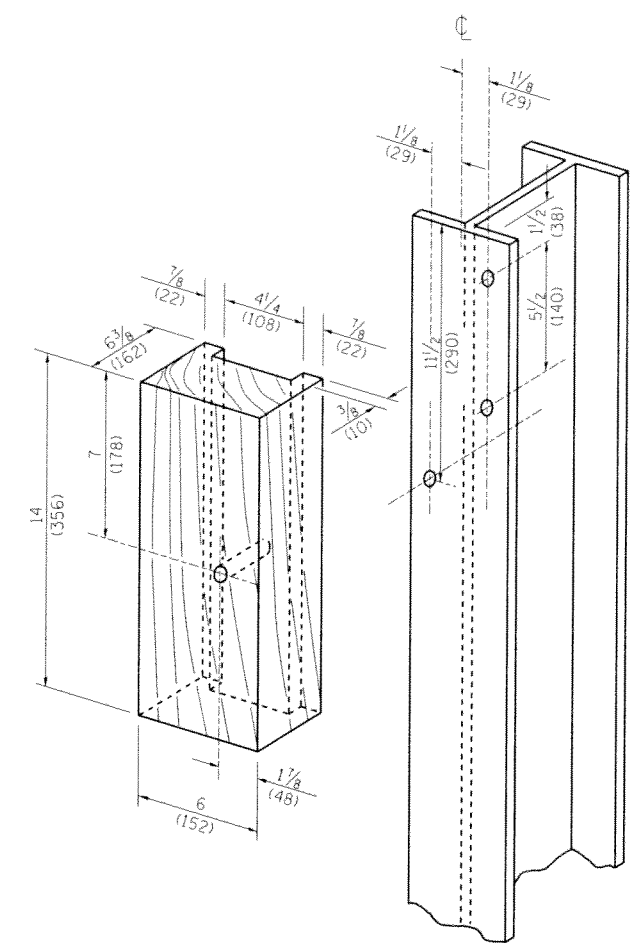


**NOTE:**  
IF IT IS NECESSARY FOR D TO BE MORE THAN 12 (300) AND LESS THAN 10'-0" (3.0 M) TYPE M-2 (M-5) CURB AND GUTTER (STD. 606001) SHALL BE USED IN FRONT OF AND IN ADVANCE OF THE GUARDRAIL.

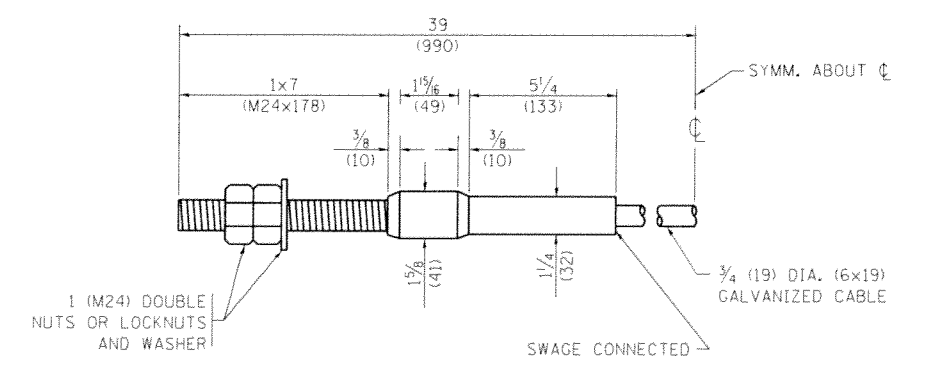
**GUARDRAIL PLACED BEHIND CURB**

(D = 0 DESIRABLE TO 12 (300) MAXIMUM)

V	W	L	
		STEEL POST	WOOD POST
0 - 18 (0 - 460)	24 (610)	21 (530)	23 (580)
>18 - 41.5 (> 460 - 825)	12 (305)	8 (203)	10 (250)
>41.5 - 53.5 (> 825 - 1.13 M)	12 - 0 (350 - 0)	8 (203)	10 (250)



**WOOD BLOCK-OUT AND STEEL POST DETAILS**



**CABLE ASSEMBLY**

(40,000 LBS (18,100 KG) MIN. BREAKING STRENGTH)  
TIGHTEN TO TAUT TENSION