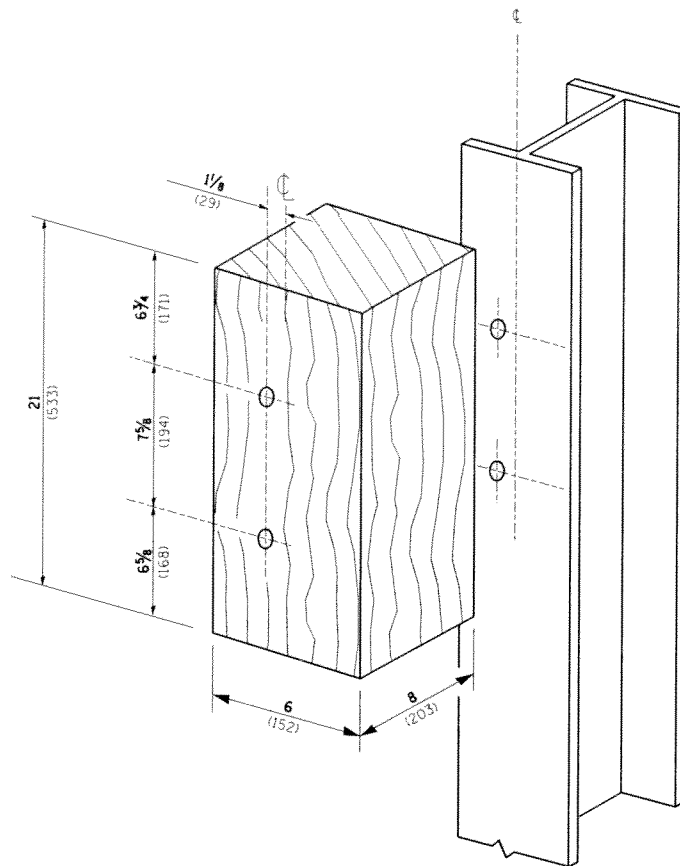
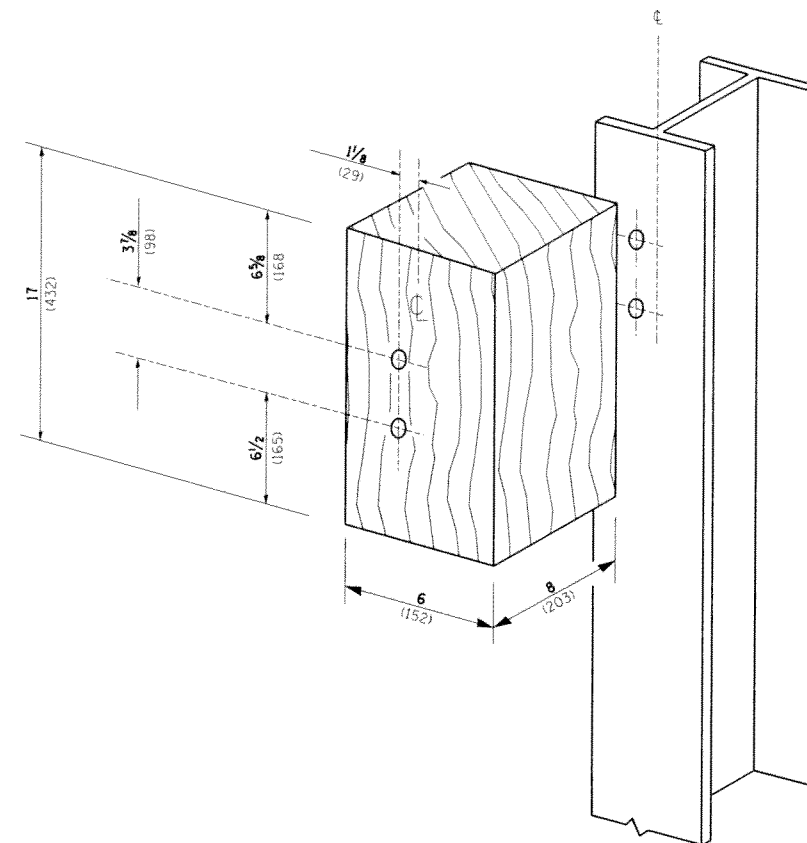


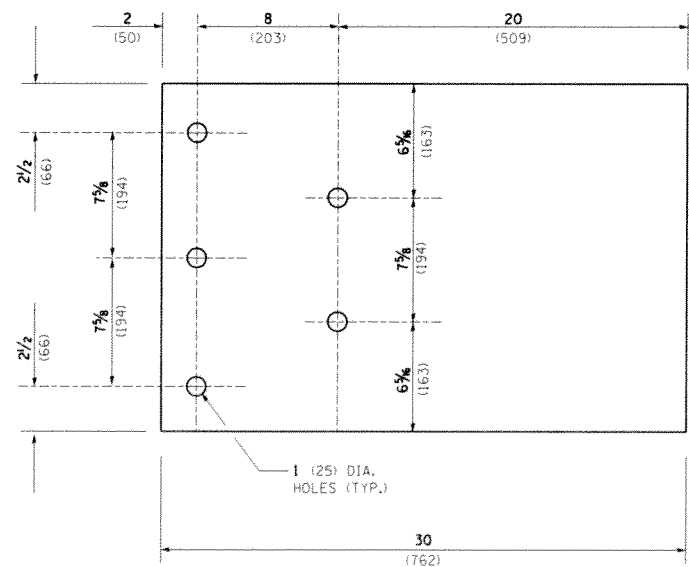
THRIE BEAM END SHOE DETAIL



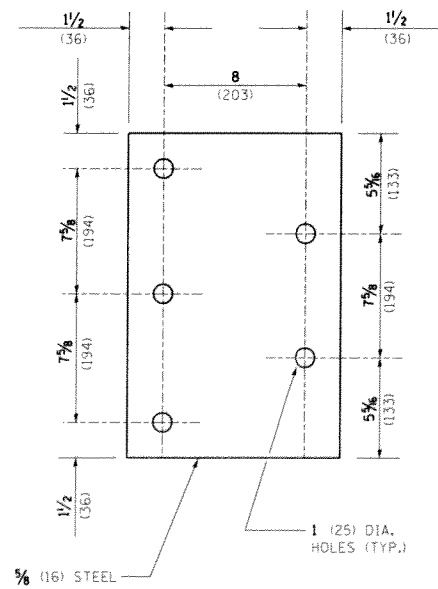
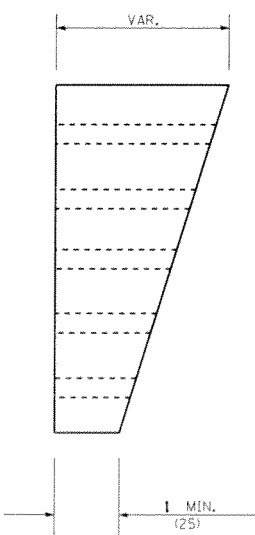
POSTS 1-11 WOOD BLOCKOUT DETAIL



POST 12 WOOD BLOCKOUT DETAIL



PARAPET WOOD BLOCK-OUT DETAIL



PARAPET STEEL BEARING PLATE DETAIL

(5 EACH INDIVIDUAL 5x5x3/8 (125x125x16) STEEL PLATES WITH CENTERED 1 (25) HOLES MAY BE SUBSTITUTED FOR THE PLATE SHOWN.)

FILE NAME =	USER NAME = steedpa
c:\pwork\pwork\stedpa\0329923\01std.dgn	

DESIGNED -	
DRAWN -	
CHECKED -	
DATE -	

REVISED - STATE STANDARD:	
631031-05 - 02/19/2008	
REVISED -	
REVISED -	

**STATE OF ILLINOIS
DEPARTMENT OF TRANSPORTATION**

<p>TYPE 6 TERMINAL FOR USE WITH 21" HIGH SPBGR</p>		F.A.P. RTE.	SECTION	COUNTY	TOTAL SHEETS	SHEET NO.
		305	2013-046SR	MC HENRY	44	41
<p>SCALE: NONE SHEET NO. 3 OF 3 SHEETS STA. TO STA.</p>		<p>BM 22 CONTRACT NO. 60W91</p>				
		<p>FED. ROAD DIST. NO. 1 ILLINOIS FED. AID PROJECT</p>				