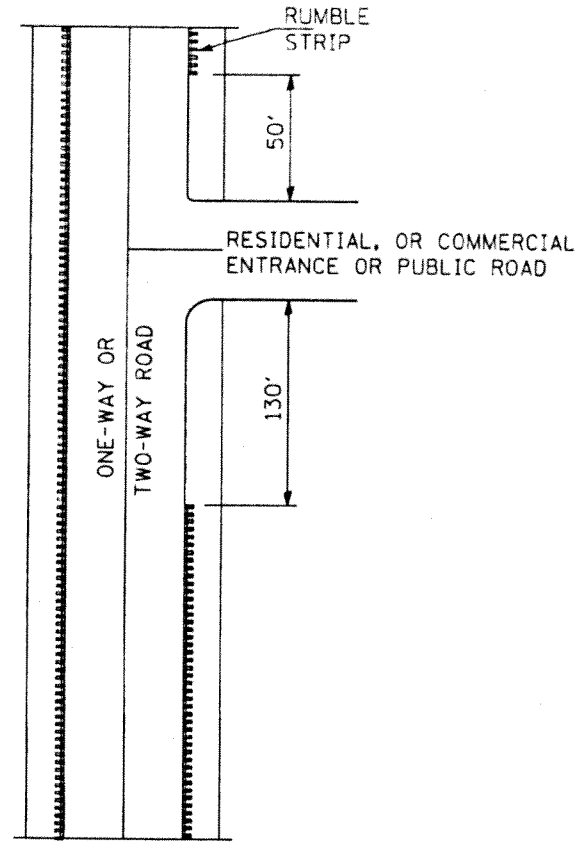
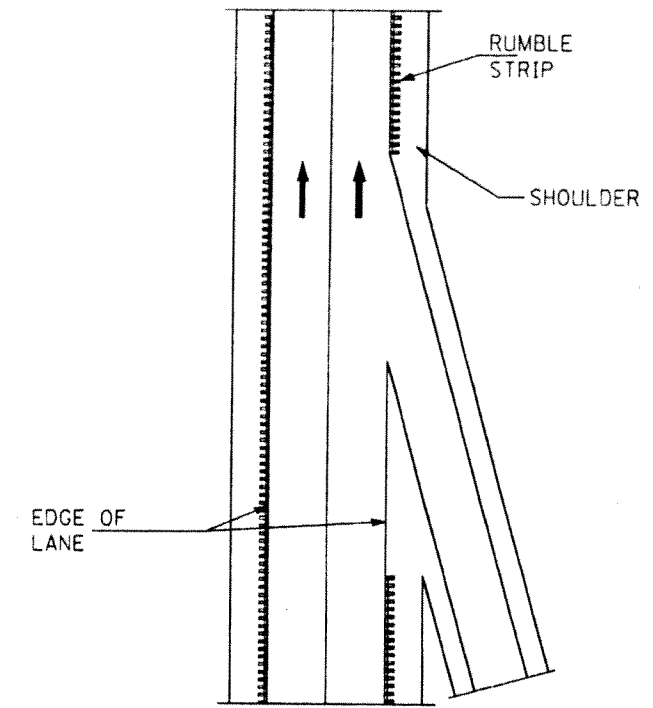


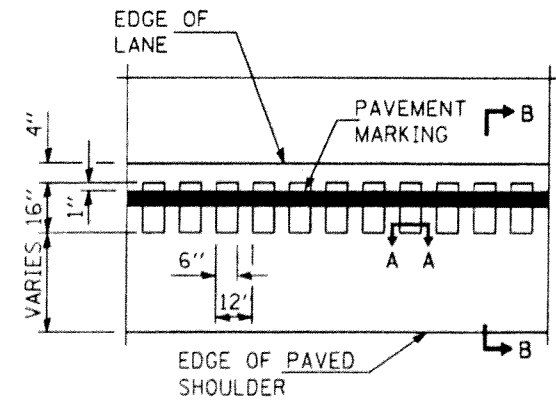
RUMBLE STRIPE EXPRESSWAY DIVIDED



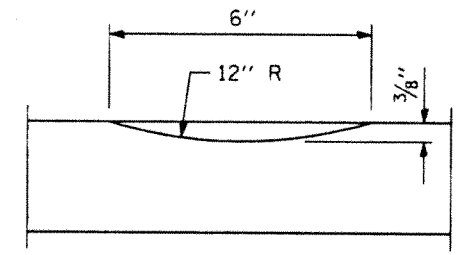
RUMBLE STRIPE INTERSECTIONS



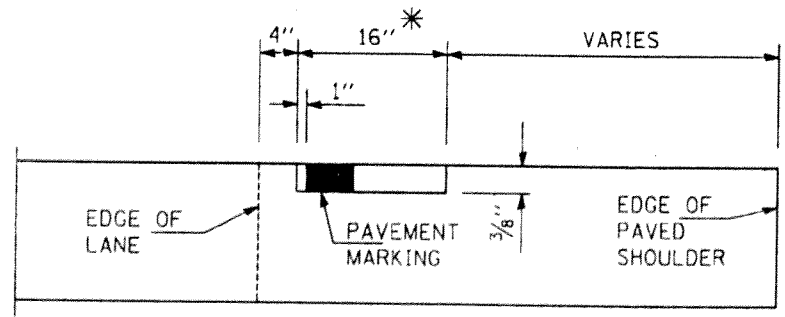
RUMBLE STRIPE ACCELERATION OR DECELERATION LANE



PLAN FOR RUMBLE STRIPE



SECTION A-A



SECTION B-B

GENERAL NOTES

ON PORTLAND CEMENT CONCRETE SHOULDERS, NO SHOULDER RUMBLE STRIPE SHALL BE LOCATED CLOSER THAN 150 mm (6") TO A TRANSVERSE JOINT.

OMIT SHOULDER RUMBLE STRIP ACROSS STRUCTURES.

SHOULDER RUMBLE STRIPES TO BE PAID FOR AS SHOULDER RUMBLE STRIP AND THERMOPLASTIC PAVEMENT MARKING - LINE 4"

* 8" WIDE RUMBLE STRIPES TO BE INSTALLED AT LOCATIONS ADJACENT TO GUARDRAIL W. HMA SHOULDERS < 3'

FILE NAME *	USER NAME *	DESIGNED -	REVISED -
cn:\pe_work\pilot\berkal\08161588\010311	berkal	DRAWN -	REVISED -
	skt-plandgn	CHECKED -	REVISED -
		DATE -	REVISED -

STATE OF ILLINOIS DEPARTMENT OF TRANSPORTATION

SHOULDER RUMBLE STRIPE FOR NON-FREEWAY

F.A.P. RTE.	SECTION	COUNTY	TOTAL SHEETS	SHEET NO.
305	2013-0-465R	MCHENRY	44	42
CONTRACT NO 60091				
SCALE:	SHEET NO.	OF SHEETS	STA.	TO STA.

ILLINOIS FED. AID PROJECT