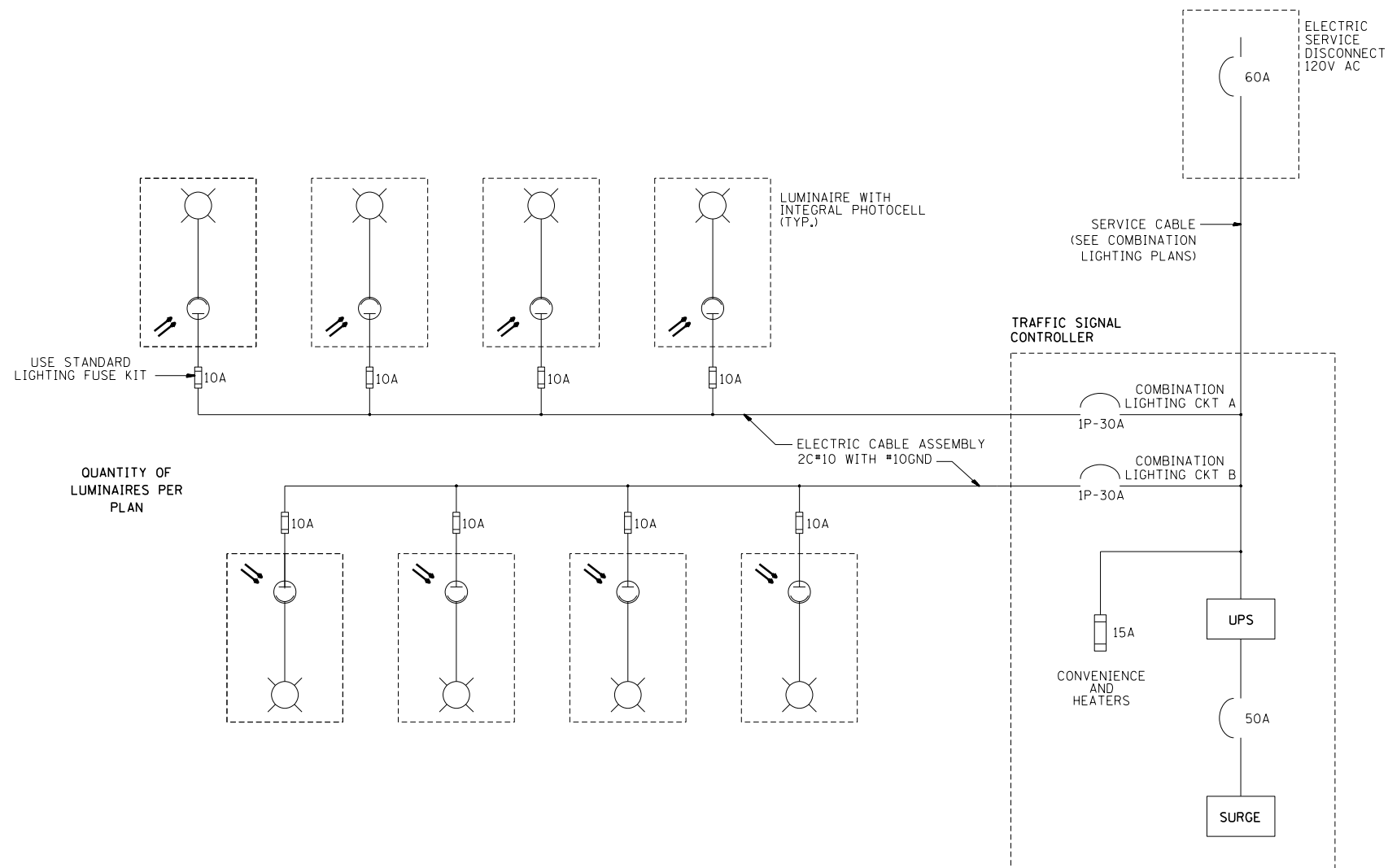
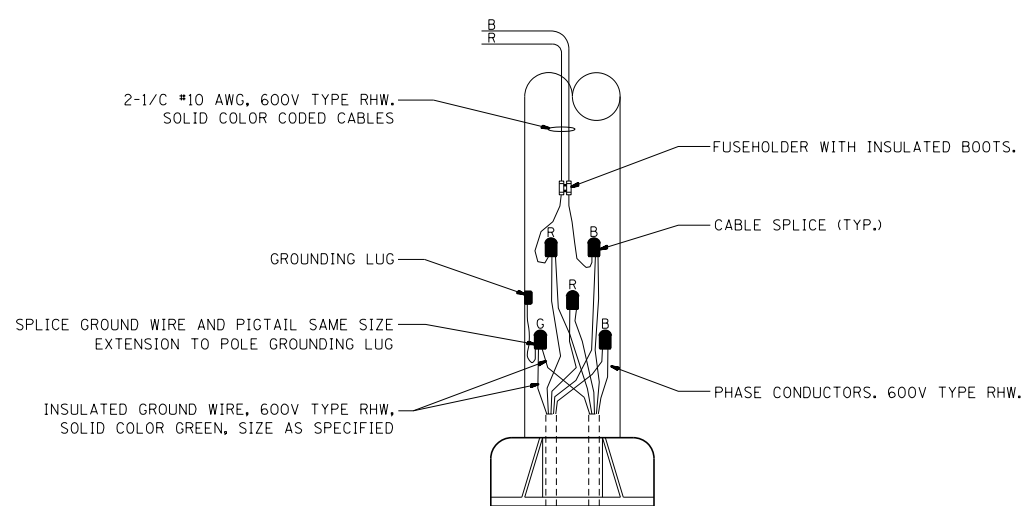


TYPICAL LIGHTING LAYOUT
(NOT TO SCALE)



QUANTITY OF LUMINAIRES PER PLAN



COMBINATION POLE WIRING DETAIL
(NOT TO SCALE)

NOTES:

- 1.- 4 LUMINAIRES PER CIRCUIT, MAXIMUM.
- 2.- EACH LUMINAIRE IS PHOTOCELL CONTROLLED.
- 3.- MULTI-CONDUCTOR CABLE ASSEMBLY FOR LIGHTING CIRCUITS.
- 4.- ROUTE LIGHTING CIRCUITS IN TRAFFIC SIGNAL CONDUIT SYSTEM.
- 5.- ALL CONTROLLERS TO HAVE TWO LIGHTING BRANCH BREAKERS.
- 6.- ALL WIRING SHALL BE NEATLY DRESSED, IDENTIFIED BY TAGS, AND SUPPORTED.
- 7.- ALL SPLICES AND CONNECTIONS FOR ROADWAY LIGHTING SHALL BE AT POLE BASE ONLY. UNDERGROUND SPLICING OF LIGHTING CONDUCTORS IS NOT PERMITTED.

FILE NAME =	USER NAME = plascencia	DESIGNED - RT	REVISED -	STATE OF ILLINOIS DEPARTMENT OF TRANSPORTATION	COMBINATION LIGHTING TRAFFIC SIGNAL LIGHTING SCHEMATIC				F.A.P. RTE.	SECTION	COUNTY	TOTAL SHEETS	SHEET NO.
Default	114412-TS.dgn	DRAWN -	REVISED -		372	03035-TS	COOK	87	61				
	PLOT SCALE = NONE	CHECKED - RT	REVISED -		BE-240				CONTRACT NO. 60X08				
	PLOT DATE = 3/28/2014	DATE - 03/14/2014	REVISED -		SCALE:	SHEET	OF	SHEETS	STA.	TO	STA.	ILLINOIS FED. AID PROJECT	