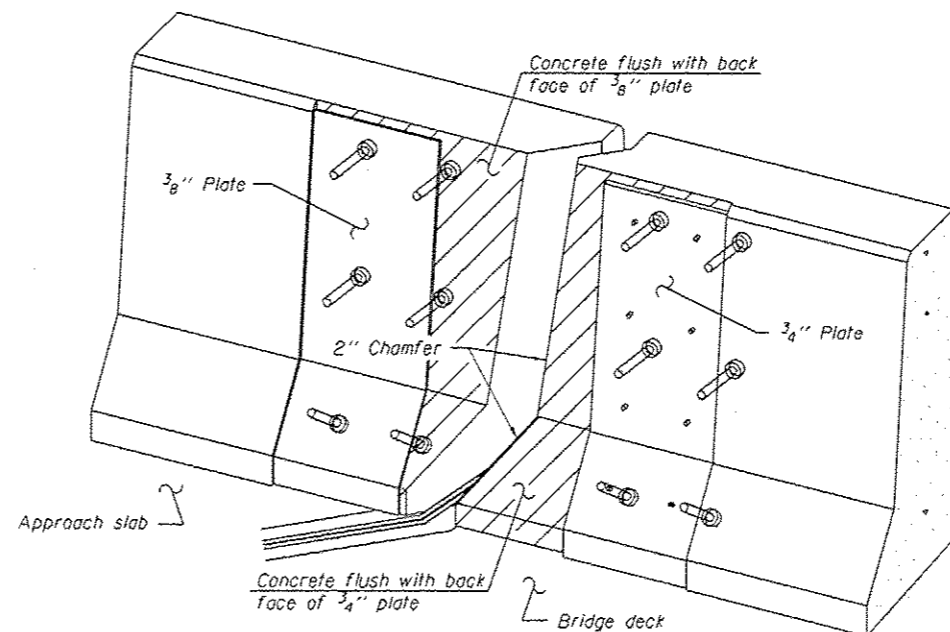
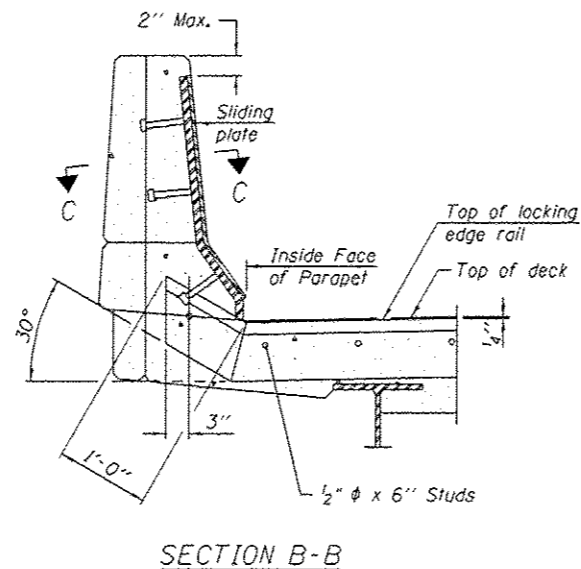
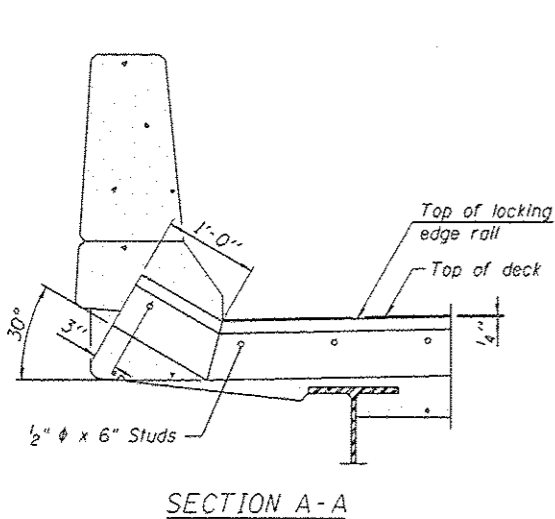


Shorter plates with a single row of studs at 12" cts. may be necessary on medians which are shallower than 9". See manufacturer's recommendation.



NOTES:

The strip seal shall be made continuous and shall have a minimum thickness of 1/4". The configuration of the strip seal shall match the configuration of the Locking Edge Rails. Open or "Welded" strip seal gland configurations are not permitted. The gland shall be sized for maximum rated movement of 4 inches.

The height and thickness of the Locking Edge Rails shown are minimum dimensions. The actual configuration of the Locking Edge Rails and matching strip seal may vary from manufacturer to manufacturer. Flanged edge rails will not be allowed.

The inside of the Locking Edge Rail groove shall be free of weld residue. Locking Edge Rails may be spliced at slope discontinuities and stage construction joints.

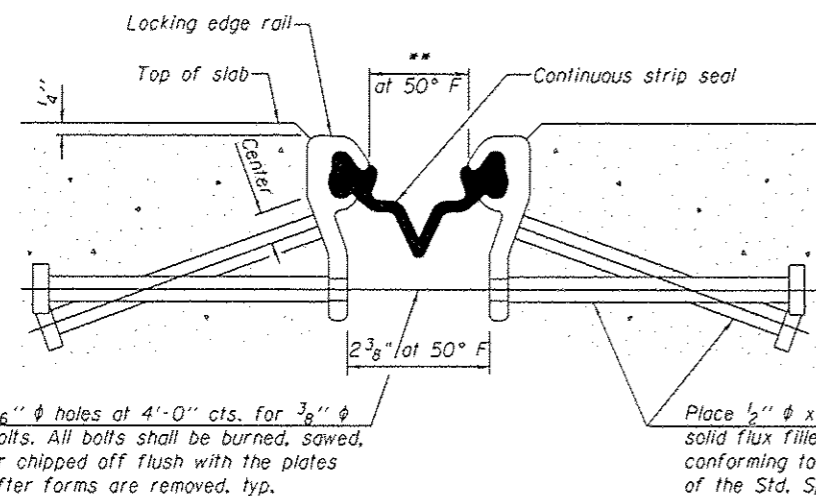
The manufacturer's recommended installation methods shall be followed. All steel components shall be galvanized after fabrication according to Article 520.03 of the Standard Specifications.

Maximum space between rail segments at stage lines shall be 3/16", sealed with a suitable sealant. joints in Rails within 10 Ft. of curbs shall be welded.

Parapet plates and anchorage studs for skew $> 30^\circ$ including in the cost of Preformed Strip Seal.

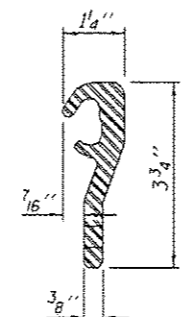
BILL OF MATERIAL

Item	Unit	Total
Preformed Joint Strip Seal	Foot	218

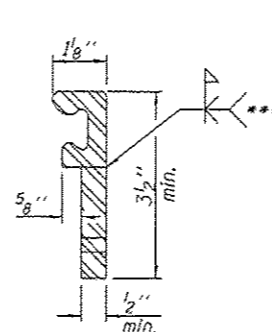


7/16" ϕ holes at 4'-0" cts. for 3/8" ϕ bolts. All bolts shall be burned, sawed, or chipped off flush with the plates after forms are removed. typ.

Place 1/2" ϕ x 6" granular or solid flux filled headed studs conforming to Article 1006.32 of the Std. Specs., automatically end welded at 1'-0" alt. cts.



LOCKING EDGE RAIL



LOCKING EDGE RAIL SPLICE

- * Omit weld at seal opening.
- ** The minimum dimension shall be 1/2" for installation purposes.
- *** Back gouge not required if complete joint penetration is verified by mock-up.

FILE NAME :	USER NAME : hardnettr	DESIGNED - MVT	REVISED - 4/28/14
c:\pwork\p\dot\hardnettr\d\BIB71\016-0285.dgn		DRAWN - MVT	REVISED -
		CHECKED - RTB	REVISED -
		DATE -	REVISED -

STATE OF ILLINOIS
DEPARTMENT OF TRANSPORTATION

U.S. 30 (LINCOLN HIGHWAY) BRIDGE OVER I-57
PREFORMED JOINT STRIP SEAL
S.N. 016-0285

F.A.P. RTE.	SECTION	COUNTY	TOTAL SHEETS	SHEET NO.
353	0404-1004HB-8A	COOK	28	8
CONTRACT NO. 60X21			ILLINOIS FED. AID PROJECT	

SCALE: SHEET NO. 5 OF 12 SHEETS STA. TO STA.