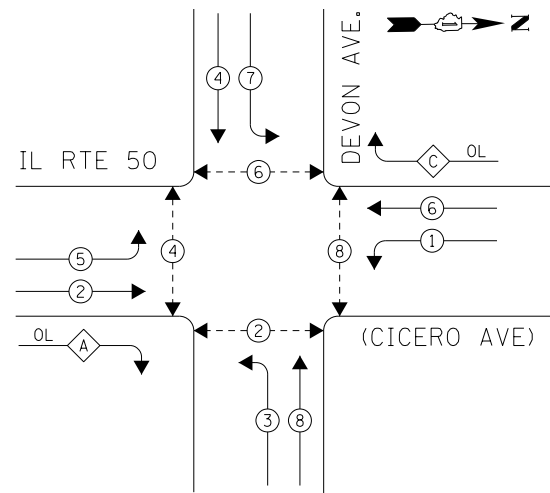
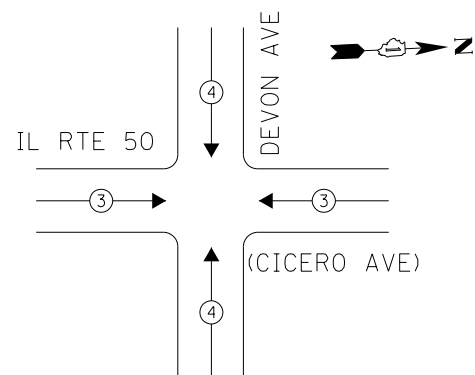




EXISTING CONTROLLER SEQUENCE



PHASE DESIGNATION DIAGRAM



EXISTING EMERGENCY VEHICLE PREEMPTION SEQUENCE

EMERGENCY VEHICLE PREEMPTORS		
EMERGENCY VEHICLE PREEMPTOR	3	4
MOVEMENT	← →	↑ ↓

- LEGEND
- DUAL ENTRY PHASE
  - OVERLAP
  - PEDESTRIAN PHASE
  - NUMBER REFERS TO ASSOCIATED PHASE

OVERLAP LETTER	PERMISSIVE PHASE	PROTECTED PHASE
A	= 2 + 3	
C	= 6 + 7	

RETROFIT ALL EXISTING SIGNAL HEADS TO L.E.D.

THE CONTRACTOR SHALL REPLACE TRAFFIC SIGNAL BACKPLATES AS DIRECTED BY THE ENGINEER FOR MAST ARM MOUNTED TRAFFIC SIGNALS TO BE RETROFIT WITH LED.

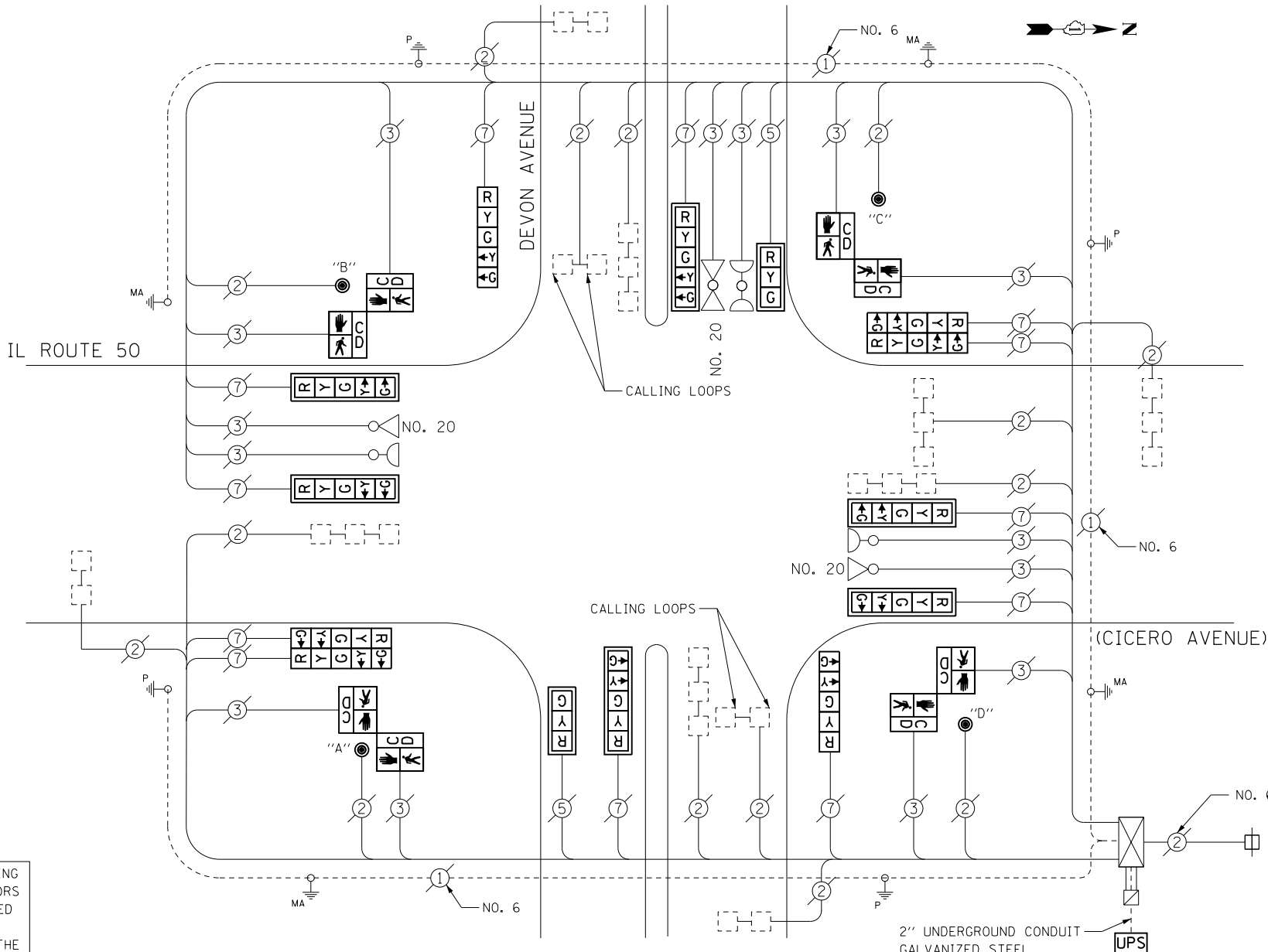
THE UPS SHALL BE INSTALLED NEXT TO THE EXISTING CONTROLLER CABINET USING HELICAL GROUND ANCHORS DUE TO THE PHYSICAL CONSTRAINTS OR AS DIRECTED BY THE ENGINEER. THIS WORK, CONDUIT, AND ELECTRICAL CABLE NEEDED TO PROPERLY INSTALL THE UPS SHALL BE INCLUDED IN THE PAY ITEM UNINTERRUPTIBLE POWER SUPPLY, GROUND MOUNTED.

PUSHBUTTON NOTES:

- PUSHBUTTON "A" SHALL PLACE A CALL IN PHASES 2 AND 4
- PUSHBUTTON "B" SHALL PLACE A CALL IN PHASES 4 AND 6
- PUSHBUTTON "C" SHALL PLACE A CALL IN PHASES 6 AND 8
- PUSHBUTTON "D" SHALL PLACE A CALL IN PHASES 2 AND 8

SCHEDULE OF QUANTITIES

ITEMS	UNIT	QUANTITY
MAINTENANCE OF EXISTING TRAFFIC SIGNAL INSTALLATION	EACH	1
PEDESTRIAN SIGNAL HEAD, LED, 2-FACE, BRACKET MOUNTED WITH COUNTDOWN TIMER	EACH	4
TRAFFIC SIGNAL BACKPLATE, LOUVERED, ALUMINUM	EACH	2
MODIFY EXISTING CONTROLLER CABINET	EACH	1
REMOVE EXISTING TRAFFIC SIGNAL EQUIPMENT	EACH	1
UNINTERRUPTIBLE POWER SUPPLY, GROUND MOUNTED	EACH	1
SIGNAL HEAD, LED, 1-FACE, 3-SECTION, MAST ARM MOUNTED, RETROFIT	EACH	2
SIGNAL HEAD, LED, 1-FACE, 5-SECTION, MAST ARM MOUNTED, RETROFIT	EACH	6
SIGNAL HEAD, LED, 1-FACE, 5-SECTION, BRACKET MOUNTED, RETROFIT	EACH	2
SIGNAL HEAD, LED, 2-FACE, 5-SECTION, BRACKET MOUNTED RETROFIT	EACH	2
PEDESTRIAN PUSH-BUTTON, NON-LATCHING	EACH	4



CABLE PLAN

I. D. O. T. TRAFFIC SIGNAL INSTALLATION ELECTRICAL SERVICE REQUIREMENTS

TYPE	NO. LAMPS	WATTAGE INCAND.	WATTAGE LED	%OPERATION	TOTAL WATTAGE
SIGNAL (RED)	14	-	17	0.50	119.0
(YELLOW)	14	-	25	0.25	87.5
(GREEN)	14	-	15	0.25	52.5
ARROW	24	-	12	0.10	28.8
PED. SIGNAL	8	-	25	1.00	200.0
CONTROLLER	1	100	-	1.00	100.0
ILLUM. SIGN	-	-	-	0.50	-
VIDEO SYSTEM	-	-	-	1.00	-
BATTERY BACKUP	1	25	-	1.00	25.0
LUMINAIRE	-	-	-	0.50	-
FLASHER	-	-	-	0.50	-
<b>TOTAL =</b>					<b>612.8</b>

ENERGY COSTS- BILLED TO: IDOT DISTRICT 1  
 201 WEST CENTER COURT  
 SCHAUMBURG, IL 60196-1096

ENERGY SUPPLY- CONTACT: TERRI BLECK  
 PHONE: 847-816-5239  
 COMMONWEALTH EDISON

FILE NAME = D:\60X82-shr-TS2590.dgn	USER NAME = SJohnson	DESIGNED - PHL	REVISED -
Default	PLOT SCALE = 40.0000' / in.	DRAWN - PHL	REVISED -
	PLOT DATE = 3/21/2014	CHECKED - BKS	REVISED -
		DATE - 03/09/2014	REVISED -

STATE OF ILLINOIS DEPARTMENT OF TRANSPORTATION

IL RTE 50 (CICERO AVE) AND DEVON AVE - CABLE PLAN SCHEDULE OF QUANTITIES, PHASE DESIG. DIAGRAM & EVP SEQUENCE

SCALE: SHEET OF SHEETS STA. TO STA.

F.A. RTE.	SECTION	COUNTY	TOTAL SHEETS	SHEET NO.
	2014-007TS	COOK	88	27
CONTRACT NO. 60X82				
ILLINOIS FED. AID PROJECT				

TS 2590 LINCOLNWOOD