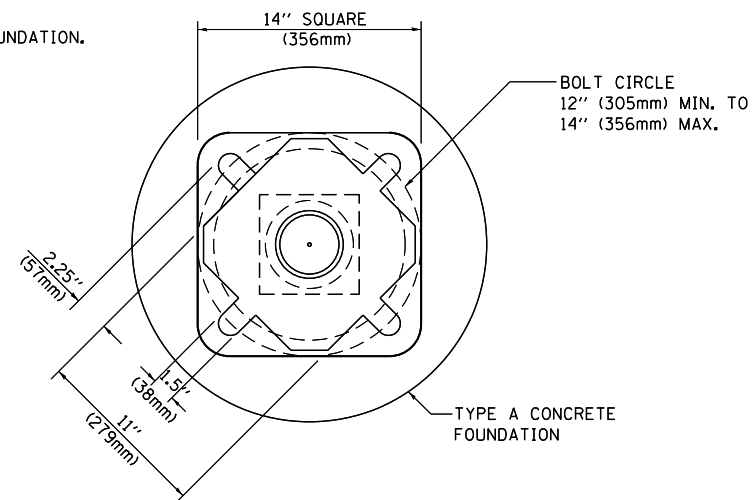


SIGN TABLE

SIGN	DIMENSIONS
R10-3b	9" (228mm) X 12" (305mm)
R10-3d	9" (228mm) X 12" (305mm)
R10-3e	9" (228mm) X 15" (381mm)



BOLT PATTERN

PEDESTRIAN PUSH BUTTON POST, TYPE A

FILE NAME =	USER NAME = poc1echal	DESIGNED - DAG	REVISED - DAG 1-1-14
et:\pwork\pwork\poc1echal\0381630\0125014-sht-ts.dgn		DRAWN - GND	REVISED -
PLOT SCALE = 100.0000' / 1in.		CHECKED - DAD	REVISED -
PLOT DATE = 3/19/2014		DATE - 10/1/2012	REVISED -

**STATE OF ILLINOIS
DEPARTMENT OF TRANSPORTATION**

**DISTRICT ONE
STANDARD TRAFFIC SIGNAL DESIGN DETAILS**

SCALE: NONE SHEET NO. 7 OF 7 SHEETS STA. TO STA.

F.A.P. RTE.	SECTION	COUNTY	TOTAL SHEETS	SHEET NO.
332	(10&0910-PT.)TS-1(14)	WILL	33	14
TS-05			CONTRACT NO. 60X89	
FED. ROAD DIST. NO. 1 ILLINOIS FED. AID PROJECT				