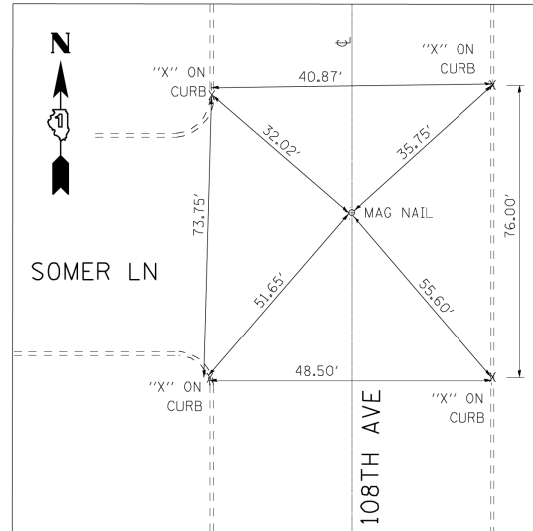


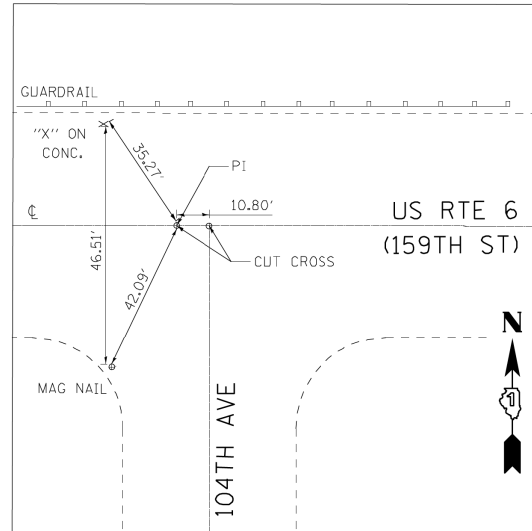
STA. 355 + 22.91
POT - 159TH ST
PI - WOLF RD (STA. 20 + 00)

SET MAG NAIL
 N 1797464.350
 E 1107743.960



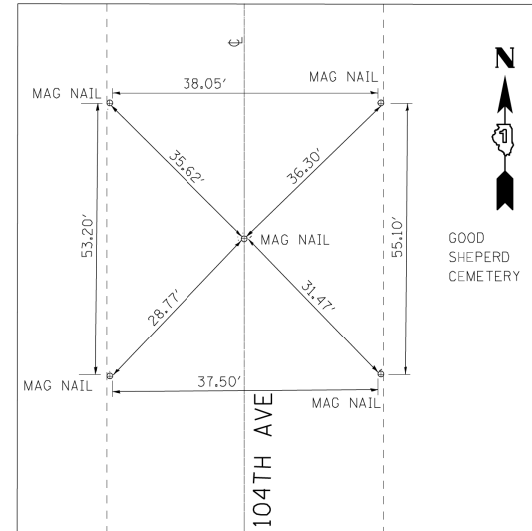
STA. 32 + 00.00
POT - 108TH AVE
PROJECT ENDS

SET MAG NAIL
 N 1798663.759
 E 1107706.285



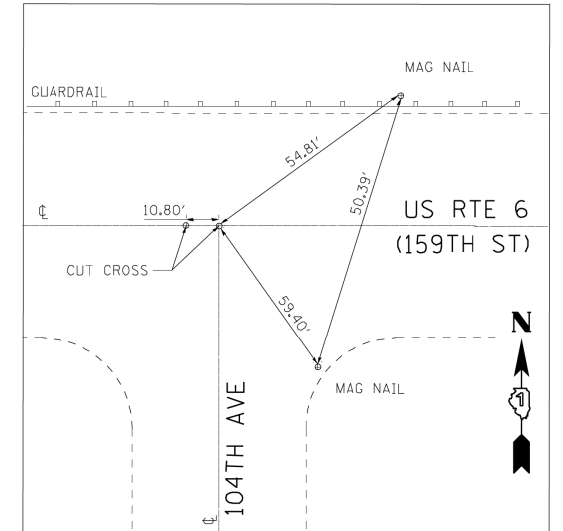
STA. 381 + 52.51
PI
CUT CROSS

N 1797541.373
 E 1110372.436



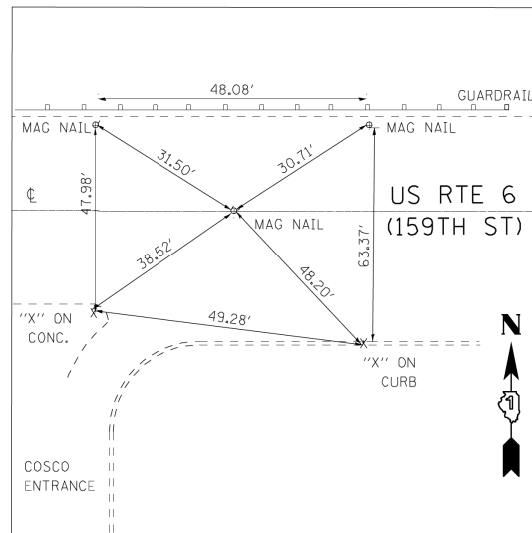
STA. 4 + 00.00
POT - 104TH AVE
PROJECT BEGINS

SET MAG NAIL
 N 1795942.287
 E 1110426.512



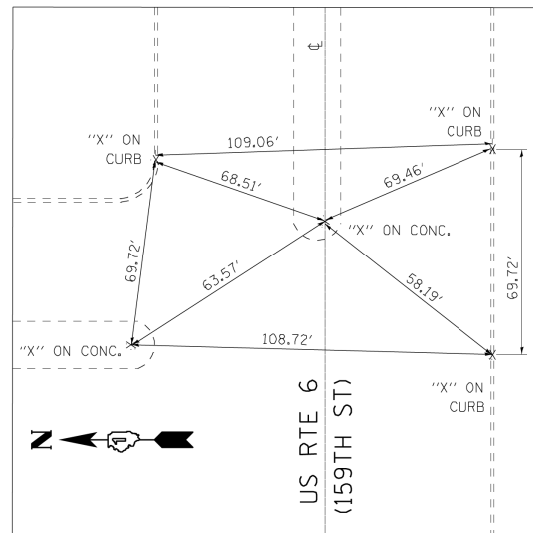
STA. 381 + 63.31
POT - 159TH ST
POT - 104TH AVE (STA. 20 + 00)

CUT CROSS
 N 1797541.700
 E 1110383.230



STA. 407 + 77.18
POT

SET MAG NAIL
 N 1799617.197
 E 1112996.007



STA. 429 + 00.00
POT
PROJECT ENDS

SET "X" ON CONCRETE
 N 1797678.518
 E 1115117.945

P:\2011\MS11017_PTB157.5_IL7_US6_159th_Lochner\CADD\Shets\44-D160L72-sht-01ign_05.dgn
 FILE NAME =
 PLOT SCALE =
 USER NAME =



2600 Warrenville Road, Suite 203, Downers Grove, IL 60515-1761
 630.705.0110 voice, 630.839.2566 fax
 www.mps-il.com

MILLENNIA PROFESSIONAL SERVICES

DESIGNED - TVN	REVISED -
DRAWN - CJD	REVISED -
CHECKED - RPD	REVISED -
DATE - 2/10/2014	REVISED -

STATE OF ILLINOIS
DEPARTMENT OF TRANSPORTATION

US RTE 6 (159TH STREET)
ALIGNMENT, TIES AND BENCHMARKS

SCALE: SHEET NO. 5 OF 5 SHEETS

F.A.P. RTE.	SECTION	COUNTY	TOTAL SHEETS	SHEET NO.
315	2014-010DTR	COOK	207	38
CONTRACT NO. 60X92				

FED. ROAD DIST. NO. 1 ILLINOIS FED. AID PROJECT

P:\2011\MS11017_PTB157.5_IL7_US6_159th_Lochner\CADD\Shets\44-D160L72-sht-01ign_05.dgn