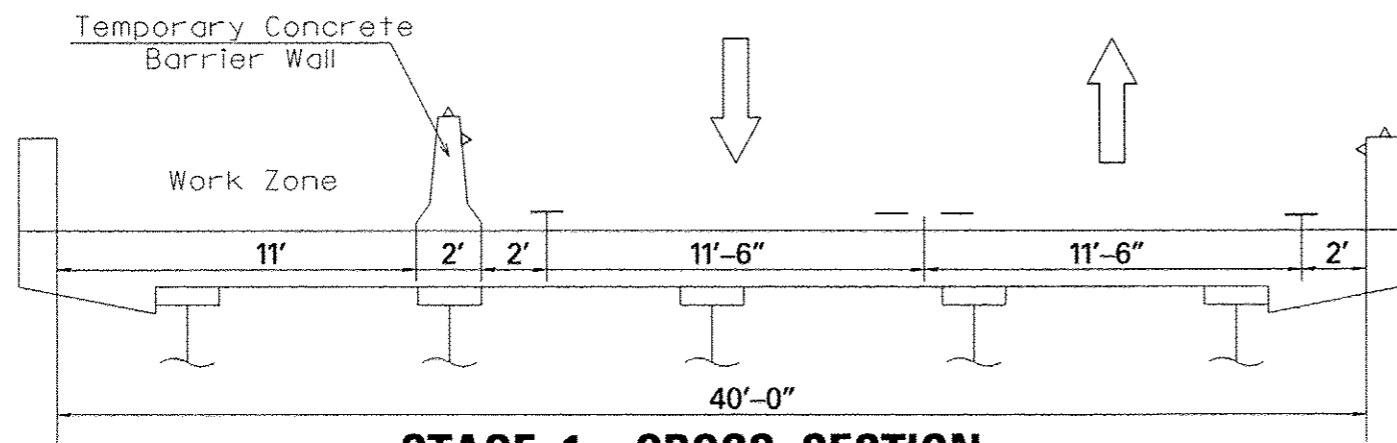
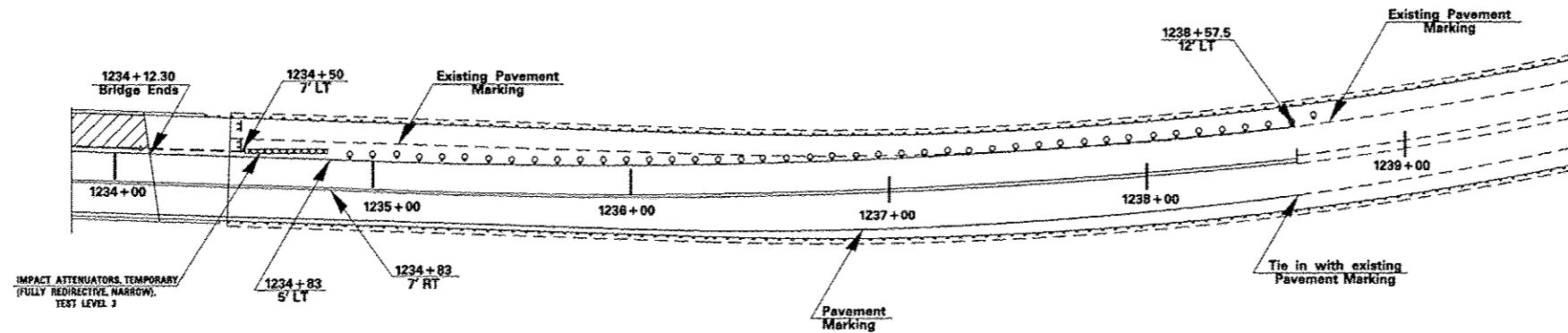
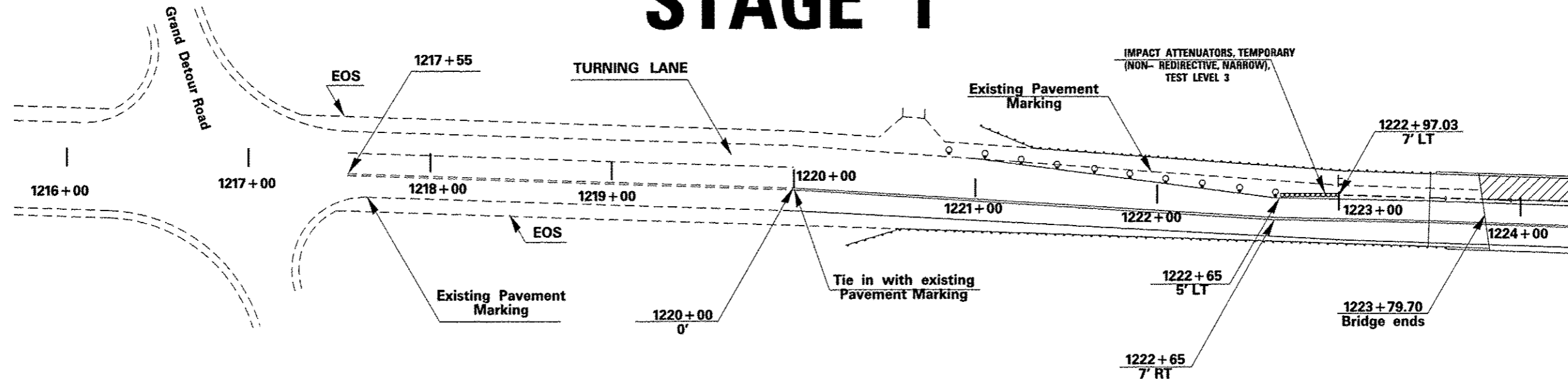
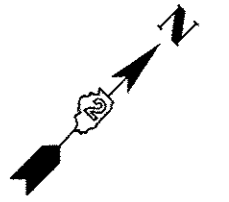


STAGE 1



STAGE 1 CROSS-SECTION

- Notes:
- Barrier wall offsets are to the traffic side of the wall
 - See Standard 701331 for additional information
 - Place type III barricades in nonworking hours

LEGEND

	Work area
	Type III barricade
	Temporary concrete barrier
	Type C Monodirectional reflector
	Impact attenuator

DESIGNED -	REVISED -
DRAWN -	REVISED -
CHECKED -	REVISED -
DATE -	REVISED -

STATE OF ILLINOIS
DEPARTMENT OF TRANSPORTATION

TRAFFIC CONTROL STAGE 1
Bridge No.1 SN: 052-0063

F.A.P. RTE.	SECTION	COUNTY	TOTAL SHEETS	SHEET NO.
IL 2 D2	BRIDGE PAINTING 2014-	LEE / OGLE	25	4
CONTRACT NO. 64J52			ILLINOIS	