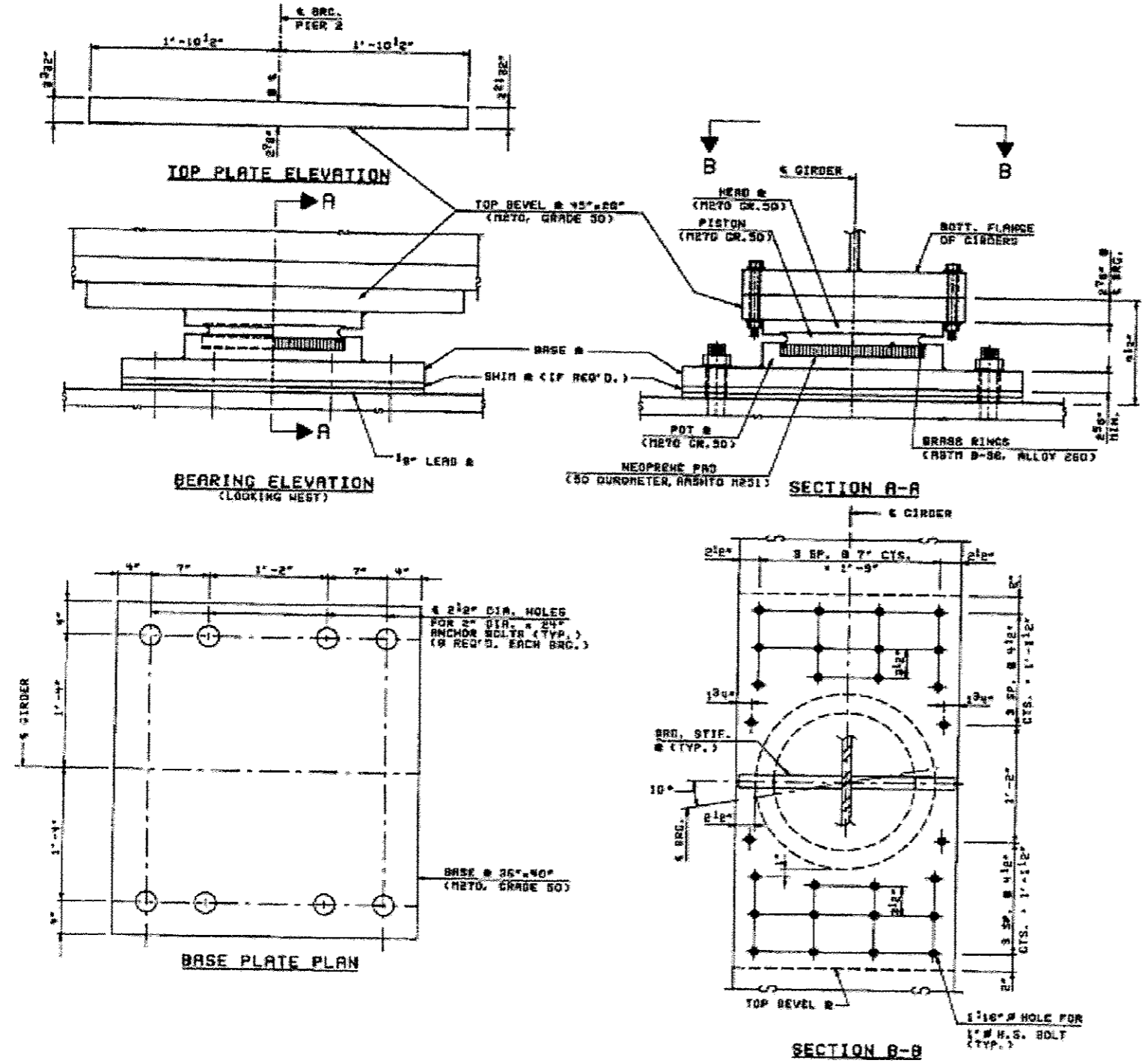


FOR INFORMATION ONLY

SHEET NO. 17 OF 30

ROUTE NO.	DIST.	COUNTY	SHEET NO.	TOTAL SHEETS
F.A. 742	PRD-1	LEE & OGLE	86	41
FED. ROAD DIST.		ILLINOIS FED. AID PROJECT		
STPP-BRF-742(26)				



BEARING DATA

PIER 2

MIN. DEAD LOADS	=	454 KIPS
MAX. DEAD LOADS	=	325 KIPS
LIVE LOAD + IMP	=	235 KIPS
TOTAL - MAXIMUM	=	760 KIPS

LONGITUDINAL LOADS-(MAX.)

WIND	=	48 KIPS
OR EARTHQUAKE	=	381 KIPS

OR

TRANSVERSE LOADS-(MAX.)

WIND	=	27 KIPS
OR EARTHQUAKE	=	105 KIPS

ROTATION = 0.02 RADIANS

MOVEMENT-(LONGITUDINAL) = — INCHES

MOVEMENT-(TRANSVERSE) = 0.25 INCHES

BILL OF MATERIAL

ITEM	UNIT	LEE COUNTY		OGLE COUNTY		TOTAL
		PIER 2	PIER 2	PIER 2	PIER 2	
FLOATING BEARINGS, FIXED (800 KIPS)	EA	2.5	2.5	2.5	2.5	5

FLOATING BEARINGS - FIXED @ PIER 2
(FOR ALL GIRDERS - 2 REQUIRED)

- NOTES:**
- ALL DETAILED DESIGN COMPUTATIONS, DRAWINGS & INSTALLATION PROCEDURES SHALL BE SUBMITTED TO THE ENGINEER FOR APPROVAL PRIOR TO FABRICATION.
 - SEE DWG. NO. CD-29 FOR ANCHOR BOLT DETAILS.
 - ANCHOR BOLTS AT FIXED BEARINGS MAY BE BUILT INTO THE MASONRY.
 - CONTRACTOR IS RESPONSIBLE FOR ADJUSTING DIMENSIONS AS REQUIRED IN THE FIELD FOR THE ACTUAL BEARINGS USED (INCLUDING BEARING ELEVATIONS). DIMENSIONS TO BE ADJUSTED SHALL BE SUBMITTED TO THE ENGINEER FOR APPROVAL PRIOR TO FABRICATION OF BEARINGS.
 - BEARING DIMENSIONS SUCH AS DIAMETER OF BRASS RINGS, PISTON, POT PLATE, HEAD PLATE, GUIDES BRG, NEOPRENE PAD, TEFLO, STAINLESS STEEL PLATE ETC. SHALL BE AS PER MANUFACTURER FOR GIVEN BEARING DESIGN DATA.

REVISION	DATE	DESCRIPTION
STATE OF ILLINOIS DEPARTMENT OF TRANSPORTATION		
FLOATING BEARING DETAILS		
GRAND DETOUR BRIDGE OVER ROCK RIVER F.A. RTE. 742 SECTION 398B-1 STA. 1228+96 LEE & OGLE COUNTIES STRUCTURE NUMBER 052-0063		
STEINMAN BOYNTON INC. CONSULTING ENGINEERS - CHICAGO, ILLINOIS		
DRAWING NO. GD-19	SCALE	DATE 4-19-93
		SHEET NO. 41

	DESIGNED -	REVISED -					
	DRAWN -	REVISED -		STATE OF ILLINOIS DEPARTMENT OF TRANSPORTATION	EXISTING BRIDGE PLANS SN: 052-0063	F.A.P. RTE.	SECTION
	CHECKED -	REVISED -				COUNTY	TOTAL SHEETS
	DATE -	REVISED -				ILLINOIS	SHEET NO.
						TOTAL SHEETS	SHEET NO.
						IL 2 D2 BRIDGE PAINTING 2014-1	CONTRACT NO. 64J52