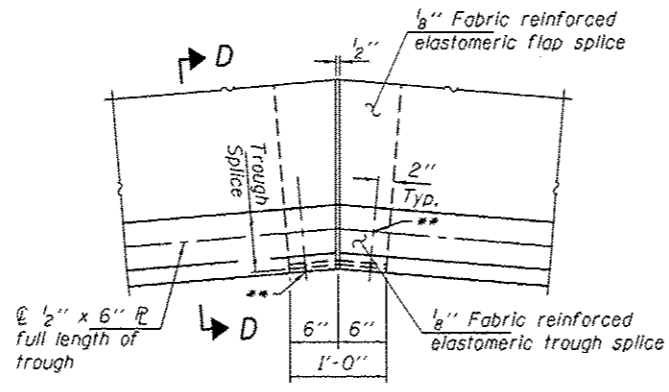
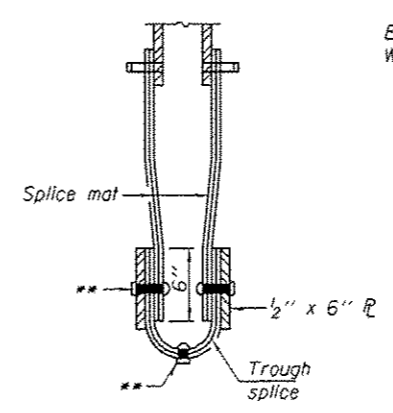


JOINT OPENING AND GEOMETRY DETAIL

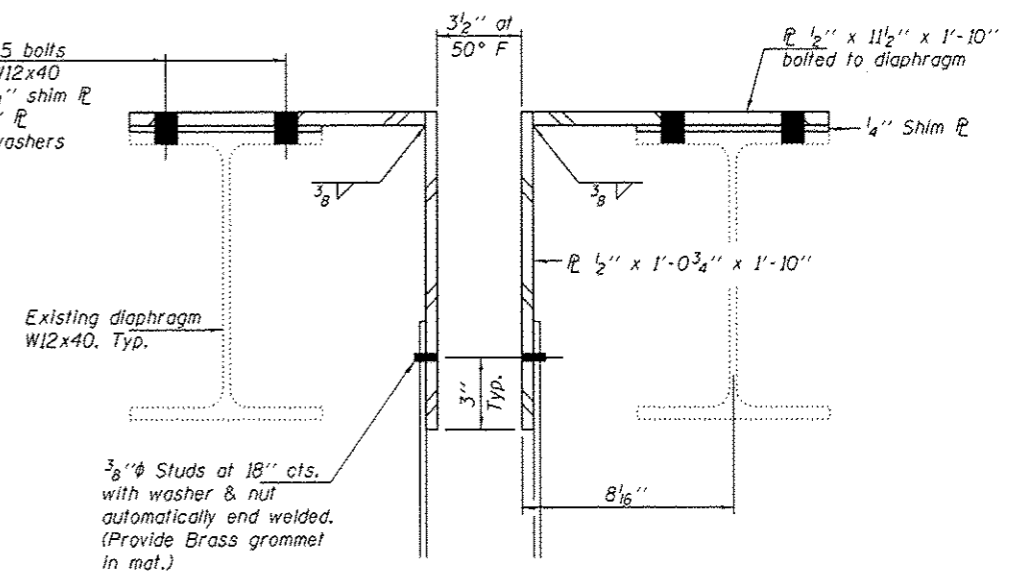


TROUGH SPLICE DETAIL

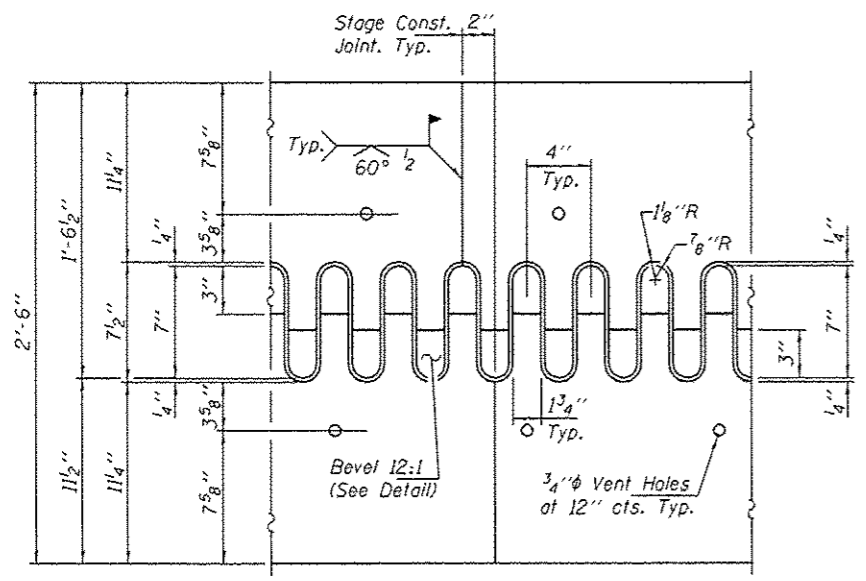
** 3/8" ϕ Stainless steel bolts with washers and nuts. Provide brass grommet in trough.



SECTION D-D

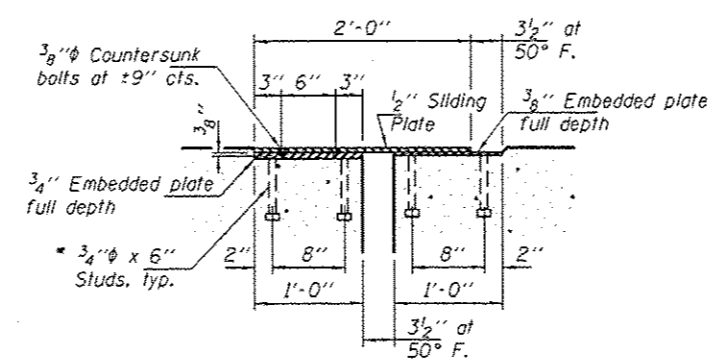


SECTION C-C

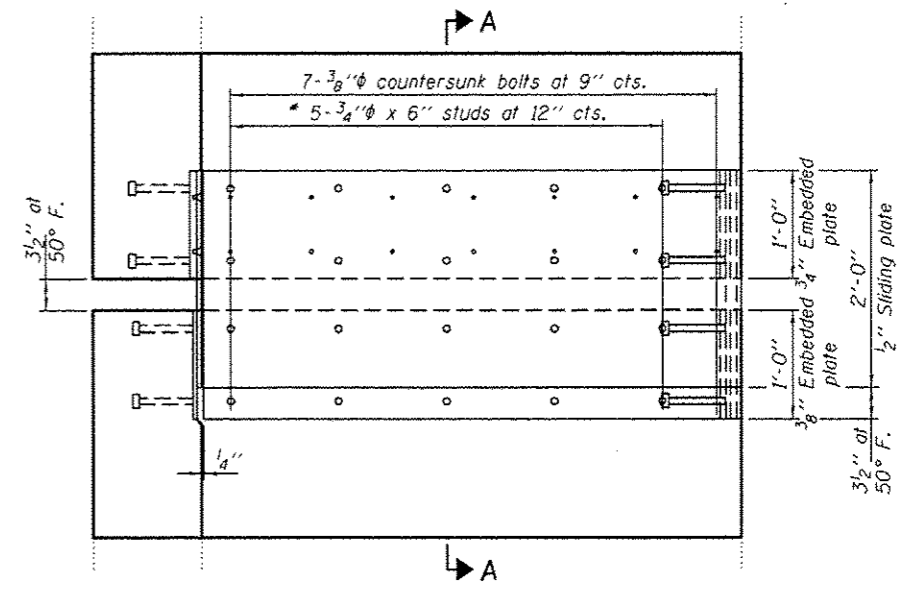


FLAME CUTTING DIAGRAM

Cut From
 P 1 5/8" x 2'-6" x 29'-11 1/2"



SECTION A-A



SIDEWALK SLIDING PLATE DETAIL

* Granular or solid flux filled headed studs conforming to Article 1006.32 of the Std. Specs., automatically end welded.

DESIGNED - SMR	EXAMINED - <i>[Signature]</i>	DATE - APRIL 23, 2014	STATE OF ILLINOIS DEPARTMENT OF TRANSPORTATION	FINGER PLATE JOINT DETAILS AT PIER 3 SN 098-0051	F.A.U. RTE.	SECTION	COUNTY	TOTAL SHEETS	SHEET NO.	
CHECKED - TLC	ACTING ENGINEER OF STRUCTURAL SERVICES				5571	02 BRIDGE REPAIR 2014-2	WHITESIDE	33	16	
DRAWN - Kyla M. Staffon	PASSED - <i>[Signature]</i>									CONTRACT NO. 64J92
CHECKED - SMR TLC	ACTING ENGINEER OF BRIDGES AND STRUCTURES									ILLINOIS FED. AID PROJECT
					SHEET NO. 6 OF 7 SHEETS					