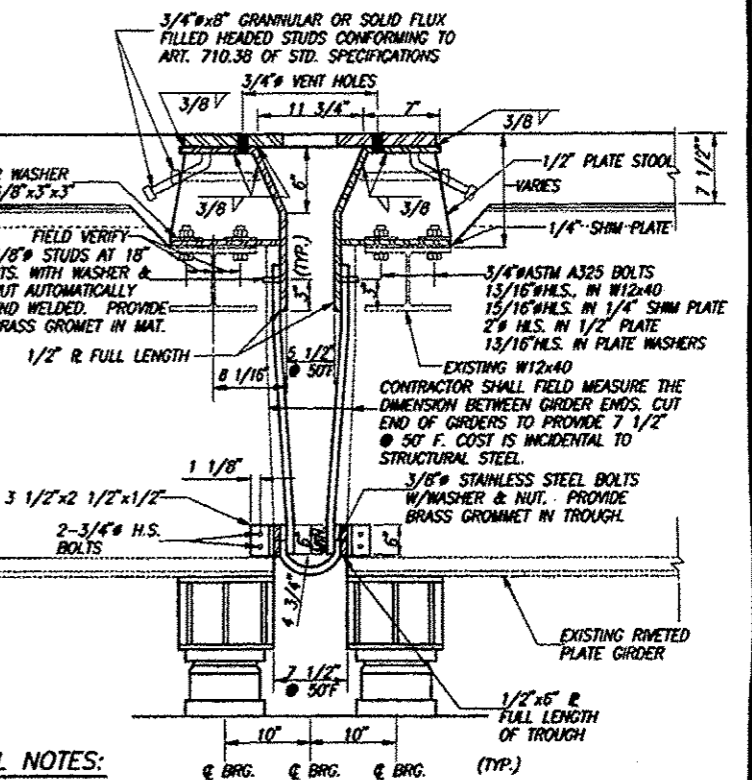
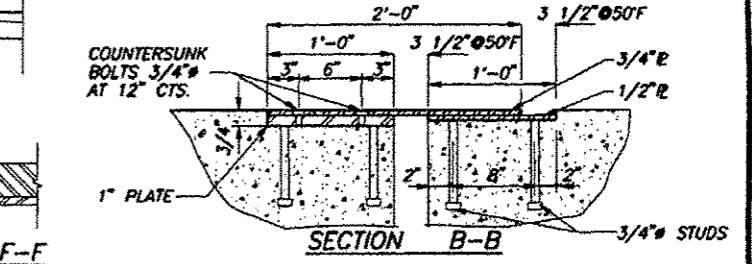
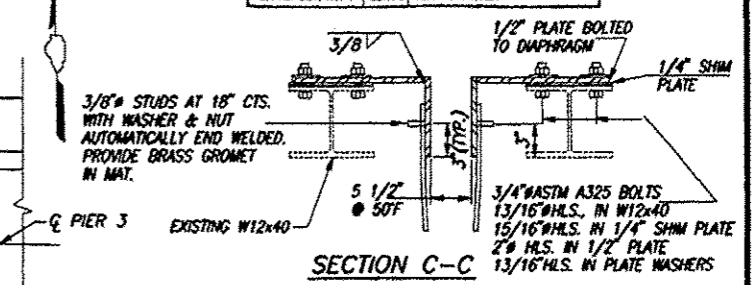
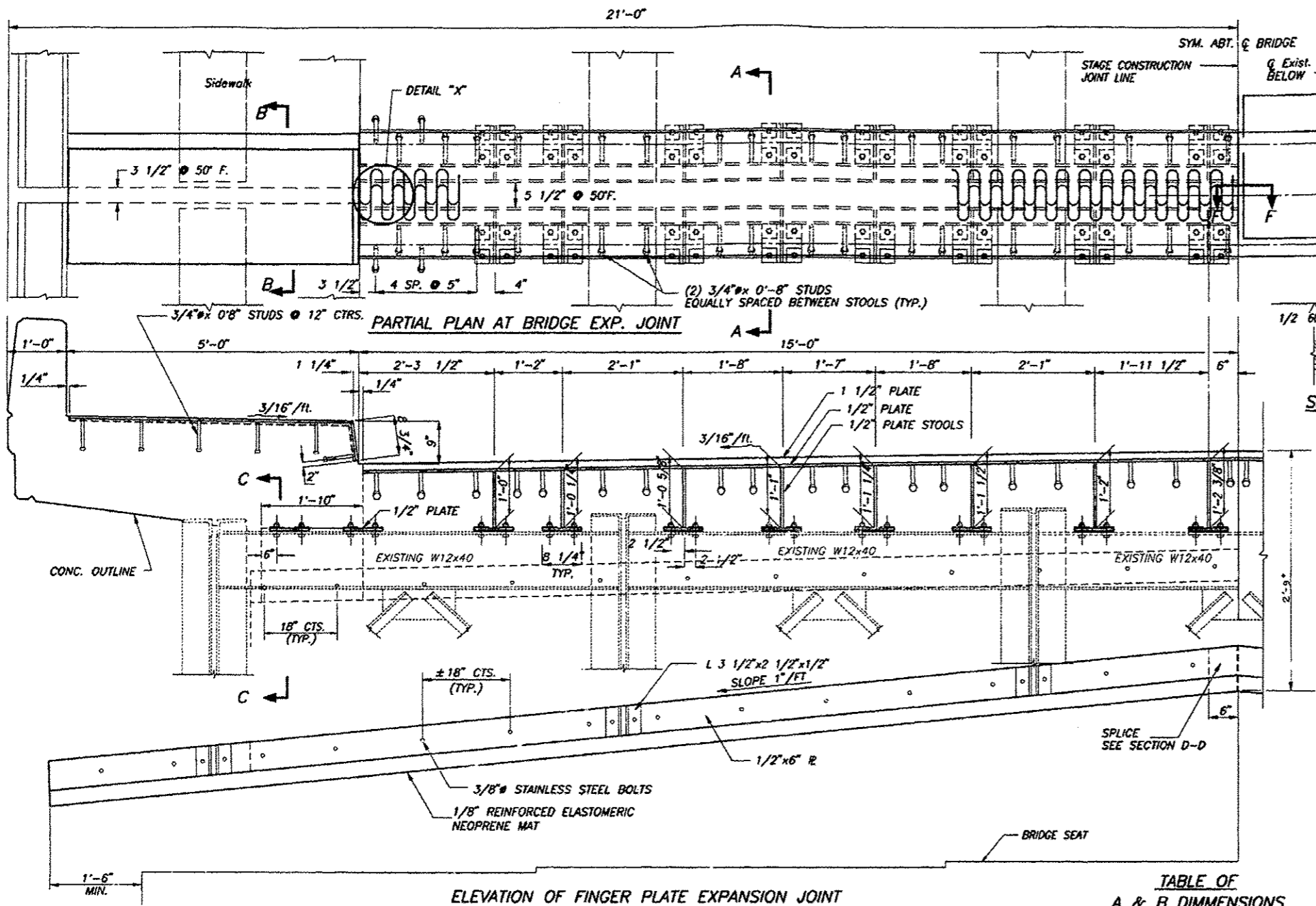


ROUTE NO.	SECTION	COUNTY	SHEET NO.	SHEET NO.	SHEET NO. 23
F.A.U. 5571	BD	WHITESIDE	63	37	44 SHEETS
ILLINOIS FED. AID PROJECT					



**TABLE OF A & B DIMENSIONS**

TEMP.	A	B
130F	3/4"	6 1/2"
110F	1 3/8"	5 7/8"
90F	2"	5 1/4"
70F	2 5/8"	4 5/8"
50F	3 1/4"	4"
30F	3 7/8"	3 3/8"
10F	4 1/2"	2 3/4"
-10F	5 1/8"	2 1/8"
-30F	5 3/4"	1 1/2"

**GENERAL NOTES:**

Roadway expansion device shall be fabricated to fit the slope of the roadway.

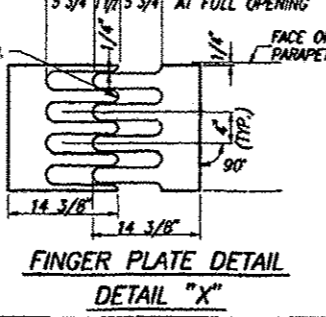
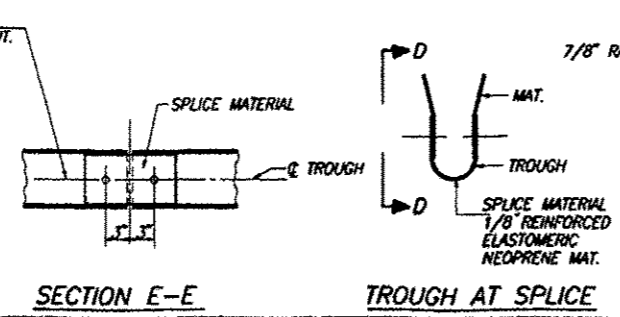
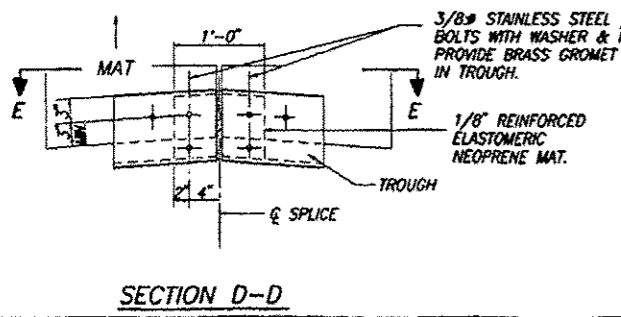
Plates shall be flame cut 1/4" using an automatic machine.

Expansion devices shall be assembled in the shop in proper position and left assembled for shop inspection.

All welding shall comply with Art. 507.04 of the Standard Specifications.

Expansion device shall be included for payment as structural steel.

Provide 1/4" normal shim plate under each support that rests on steel diaphragms. In addition, provide (one) 1/16" and (one) 1/8" shim for purposes of adjustment.



**SUPERSTRUCTURE EXPANSION JOINT DETAILS**

AVENUE "G" OVER NORTH CHANNEL OF THE ROCK RIVER

F.A.U. RTE. 5571 SECTION BD

WHITESIDE COUNTY

STRUCTURE NO. 088-0051