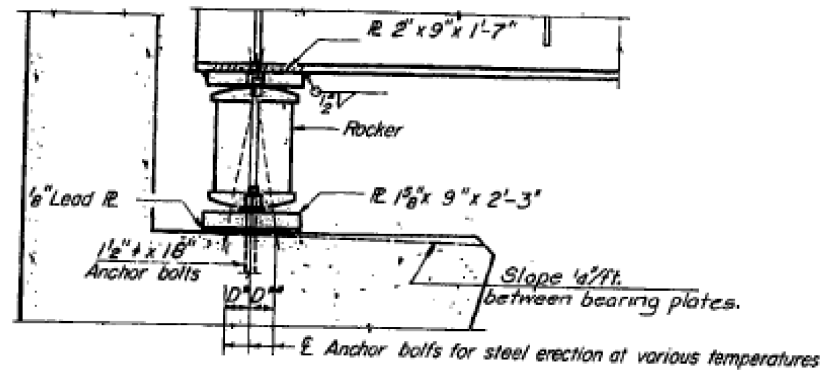
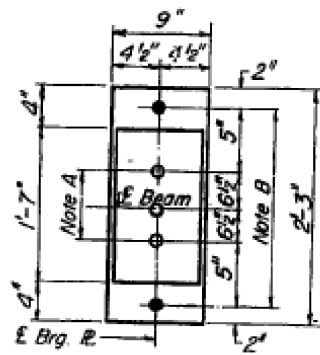


ROUTE NO.	SECTION	COUNTY	TOTAL SHEETS	SHEET NO.	SHEET NO. 11 of 20 SHEETS
FA. 412	103-2H3	LEE	153	52	
STA.	TO STA.				
RD. ROAD DIST. NO. 7	RUNOFF	PROJECT			



ELEVATION



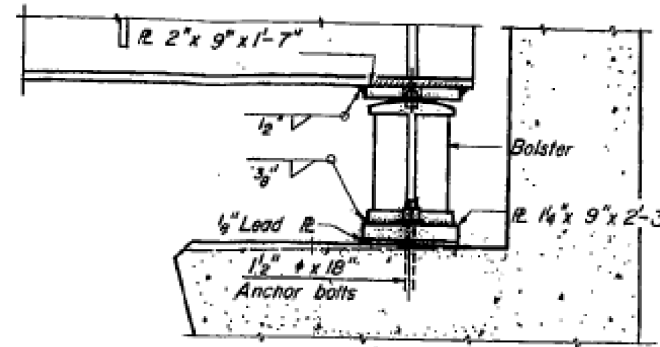
PLAN

AT NORTH ABUTMENT

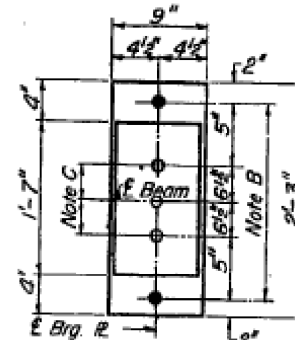
**NOTES ON SETTING OF ANCHOR BOLTS AT EXP. BRGS.**

- a) D\* (Side of brg. away from fixed brg.)  
D\* = 1/8" per each 100' of expansion for every 15° fall below the normal temp. of 50°F.
- D\*\* (Side of brg. toward fixed brg.)  
D\*\* = 1/8" per each 100' of expansion for every 15° rise above the normal temp. of 50°F.
- b) After beams have been erected and dimensions D\* or D\*\* determined, holes shall be drilled and anchor bolts shall be grouted in place. All fixed anchor bolts may be built into the masonry.

**NOTE A**  
1 3/8" Holes - 1" deep in top R. for pintles. Thread or press fit pintles into bottom R.



ELEVATION



PLAN

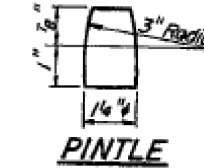
AT SOUTH ABUTMENT

**NOTE B**  
2" Holes for 1 1/2" anchor bolts. 1 1/2 x 2 1/2 x 2 1/2" R. Washers under nut.

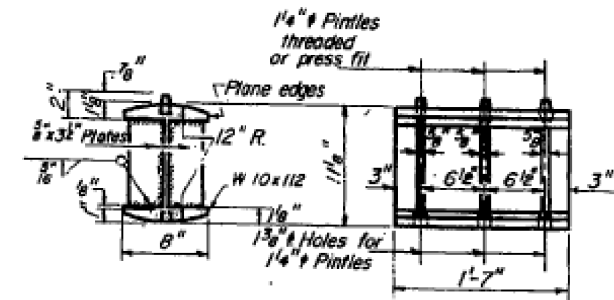
**NOTE C**  
1 3/8" Holes 1" deep in top R. only for 1 1/4" pintles.

**BEARING ASSEMBLY DETAILS**

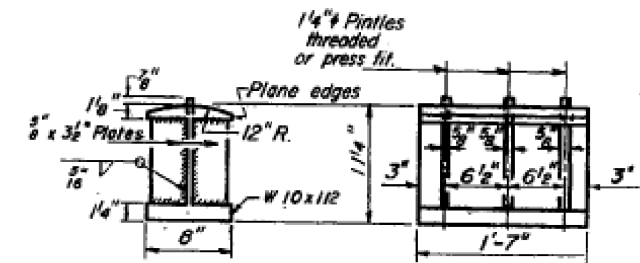
All Bearing Steel shall be AASHTO M1233



PINTLE



ROCKER



BOLSTER

DESIGNED	C.B.L.
CHECKED	M.P.S.
DRAWN	Gal
CHECKED	M.P.S.

HOWARD, NEEDLES, TAMMEN & BERGENOFF HNTB

Rev DAB/RKM 2-5-83

**BEARING DEVICES**  
FA. 412 SECTION 103-2H3  
FA. 412 OVER U.S. ROUTE 30  
LEE COUNTY  
STATION 854+30.00  
STATE OF ILLINOIS  
DEPARTMENT OF TRANSPORTATION

DESIGNED	-	REVISED	-
DRAWN	-	REVISED	-
CHECKED	-	REVISED	-
DATE	-	REVISED	-

STATE OF ILLINOIS  
DEPARTMENT OF TRANSPORTATION

EXISTING BRIDGE PLANS

SHEET \_\_\_ OF \_\_\_ SHEETS STA. \_\_\_\_\_ TO STA. \_\_\_\_\_

F.A.I. RTE.	SECTION	COUNTY	TOTAL SHEETS	SHEET NO.
39	D2 Bridge Painting 2014-3	LEE	35	27
				CONTRACT NO. 64K10
ILLINOIS FED. AID PROJECT				