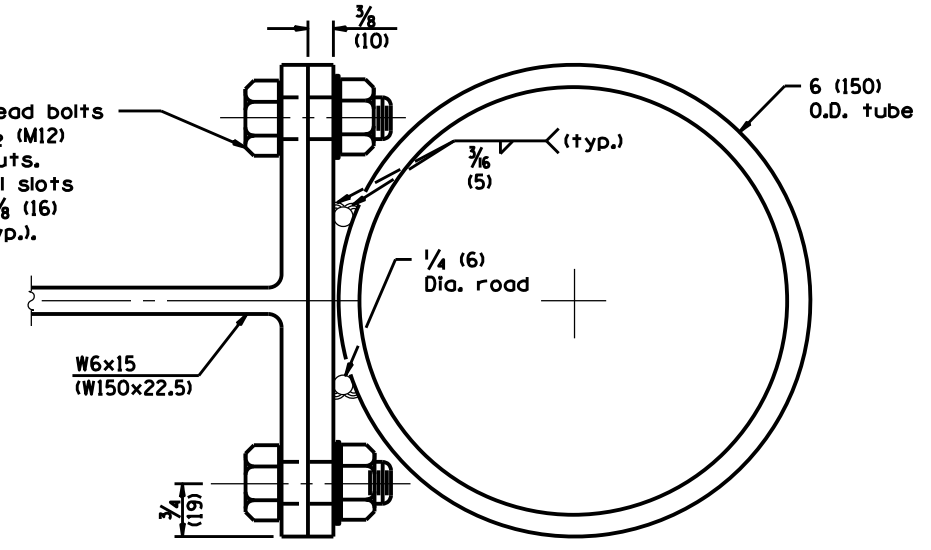
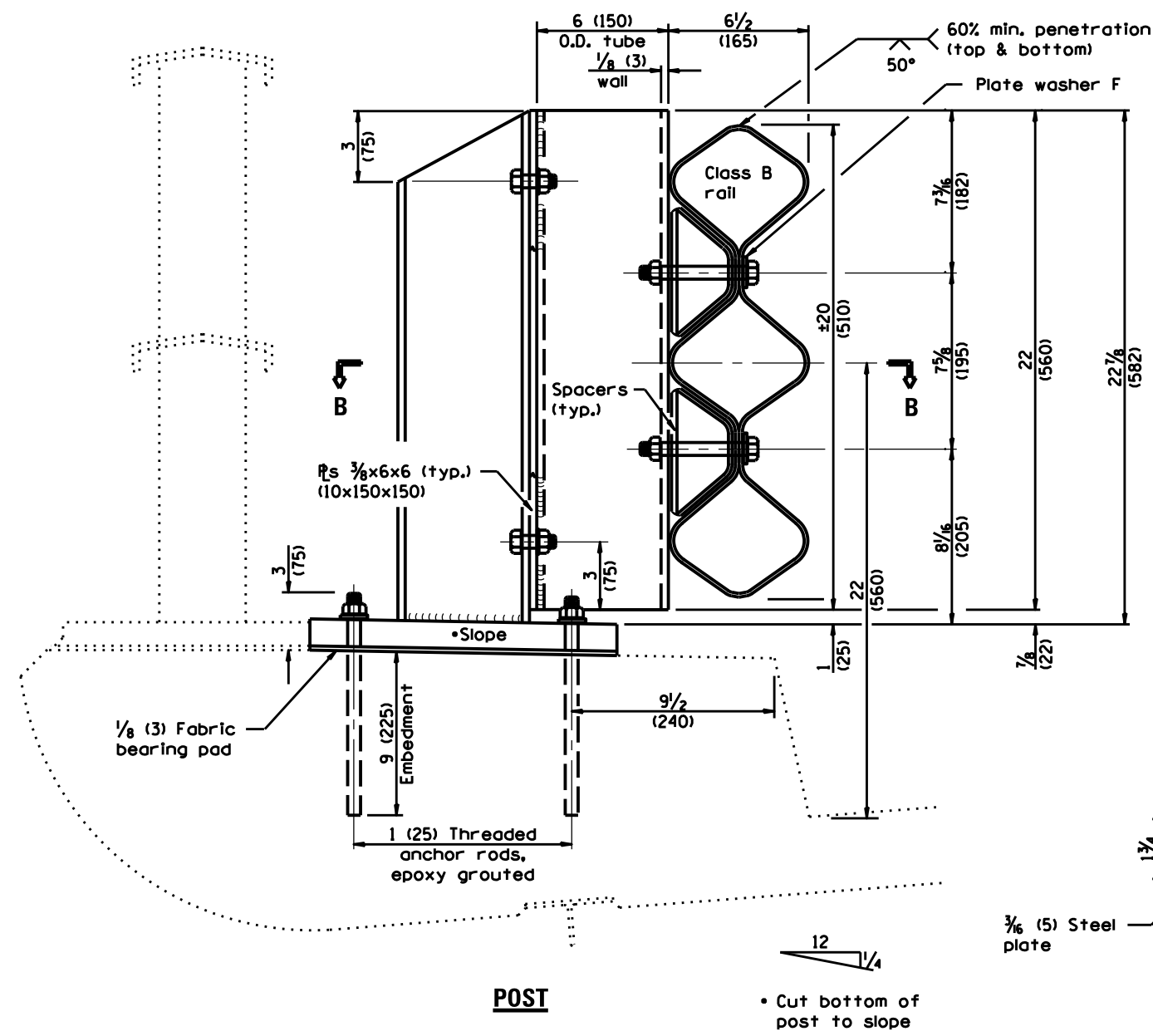


**SECTION B-B**

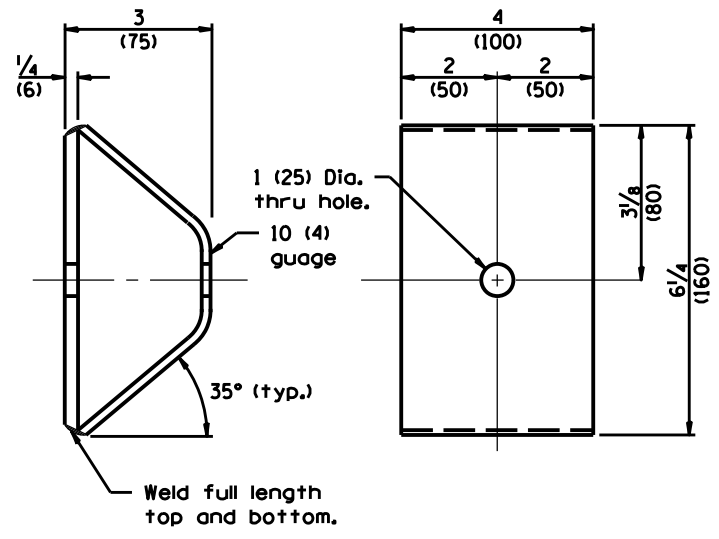
1/2 x 1/4 (M12x32) hex head bolts with hex nuts and 1/2 (M12) flat washer under nuts.  
 5/8 x 1/2 (16x38) vertical slots in 3/8 (10) plate and 5/8 (16) dia. holes in post (typ.).



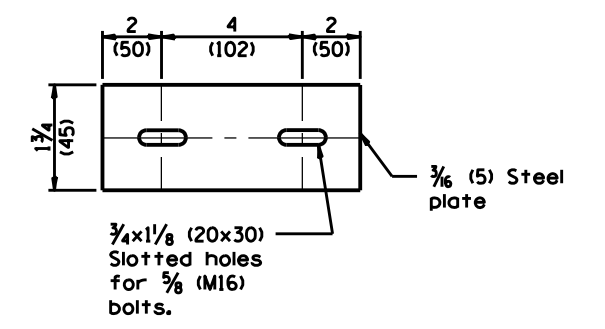
**TUBE TO POST ATTACHMENT**



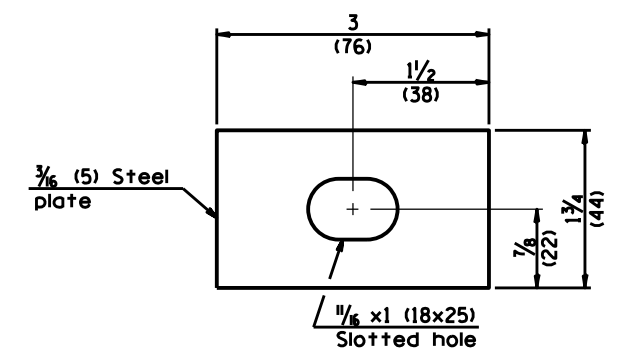
**POST**



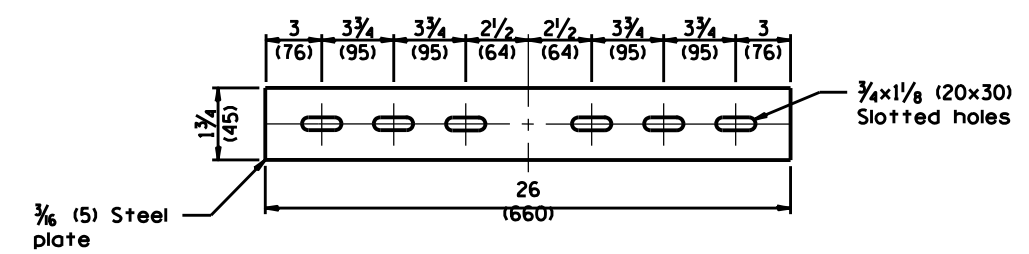
**SPACER**



**PLATE WASHER B**



**PLATE WASHER F**



**PLATE WASHER C**