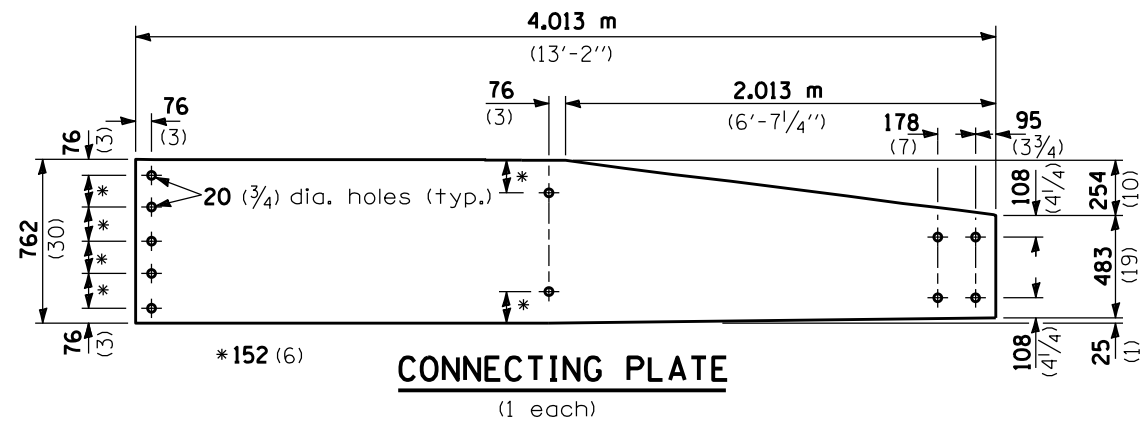
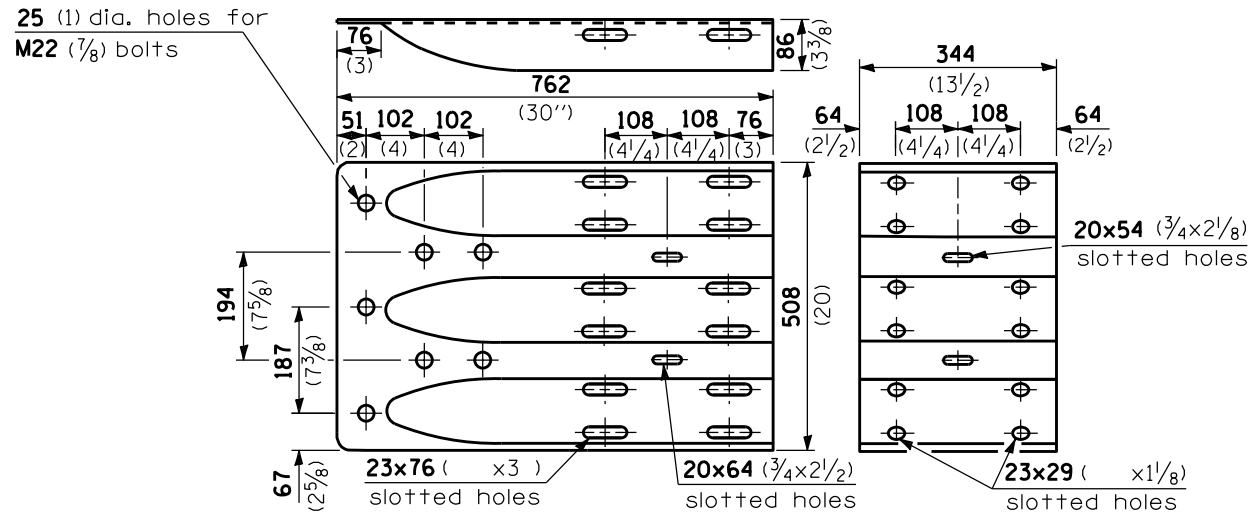


**TYPE 3A ONLY**

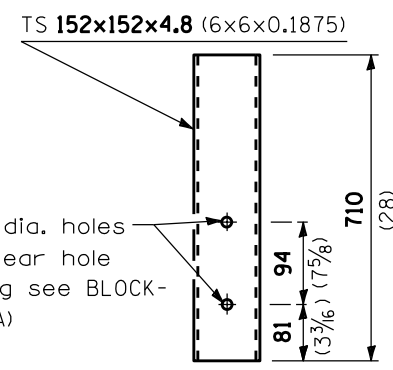


**CONNECTING PLATE**  
(1 each)

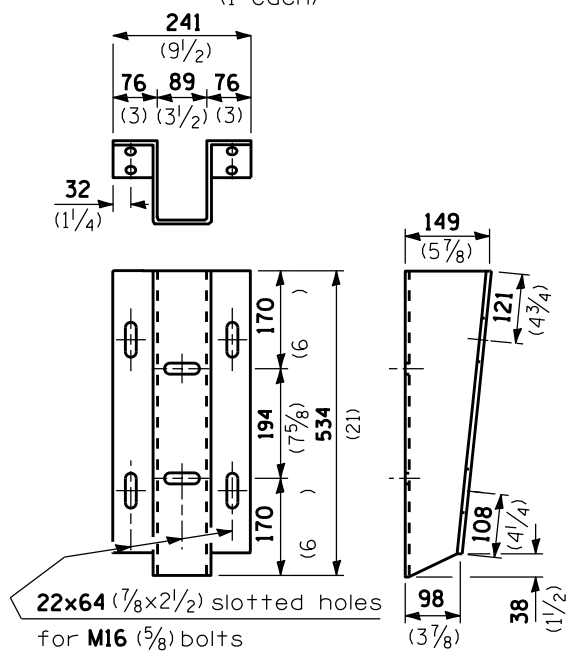


**THRIE BEAM END SHOE**  
(1 each)

**SPLICE PLATE**  
(1 each)



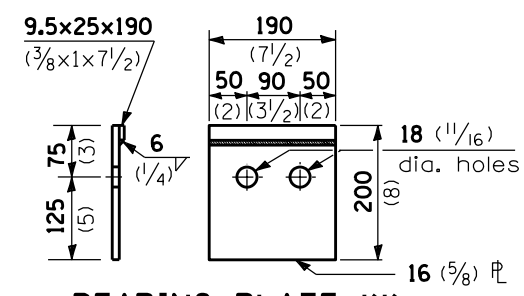
**BLOCK-OUT CC FOR THRIE BEAM**  
(1 each)



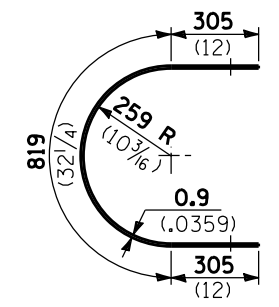
**BRACKET Z**  
(2 each)

(6.4 1/4) steel plate or section of rectangular tubing with flanges welded on

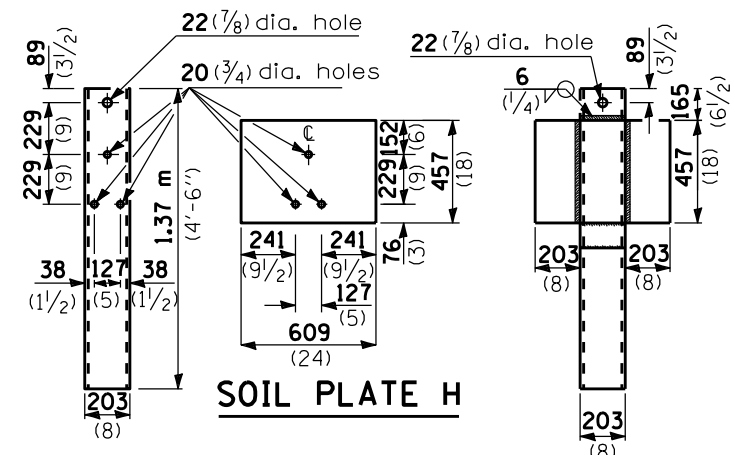
**TYPE 3 & 3A**



**BEARING PLATE KK**  
(1 each)



**NOSE**  
(1 ea.)

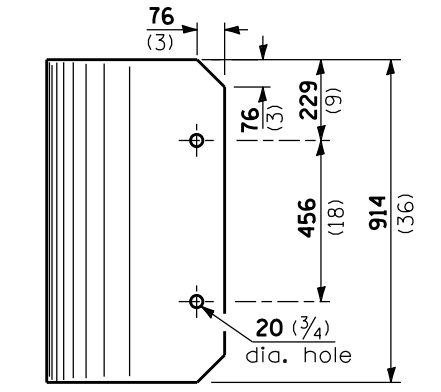


**STEEL TUBE**

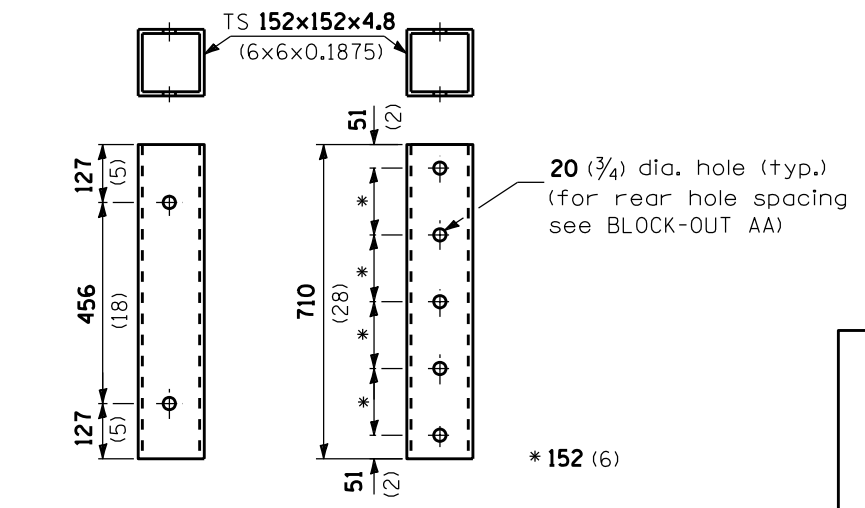
TS 203x203x4.8 (8x8x0.1875) (end terminal post) (1 ea.)

TS 203x152x4.8 (8x6x0.1875) (terminal post) (4 ea. Type 3) (5 ea. Type 3A)

**ALTERNATE SOIL PLATE CONNECTION**



**PLATE WASHER S**  
(10 ea. Type 3)  
(11 ea. Type 3A)



**BLOCK-OUT AA**  
(8 ea.)

**BLOCK-OUT BB AT SPLICE**  
(2 ea. Type 3)  
(3 ea. Type 3A)

**DETAIL INCLUDED FOR REPAIR ONLY**

All dimensions are in millimeters (inches) unless otherwise shown.

• D-3 HIGHWAY DAMAGE REPAIR 2015

FILE NAME =	USER NAME = \$USER\$	DESIGNED -	REVISED -	STATE OF ILLINOIS DEPARTMENT OF TRANSPORTATION	TRAFFIC BARRIER TERMINAL TYPE 3 & 3A	F.A. RTE.	SECTION	COUNTY	TOTAL SHEETS	SHEET NO.	
*FILEL\$		DRAWN -	REVISED -			Y&R.		Y&R.	43	17	
		CHECKED -	REVISED -			CONTRACT NO. 66015					
		DATE	REVISED			FED. ROAD DIST. NO. ILLINOIS FED. AID PROJECT					
				SCALE: SHEET NO. OF SHEETS STA. TO STA.							