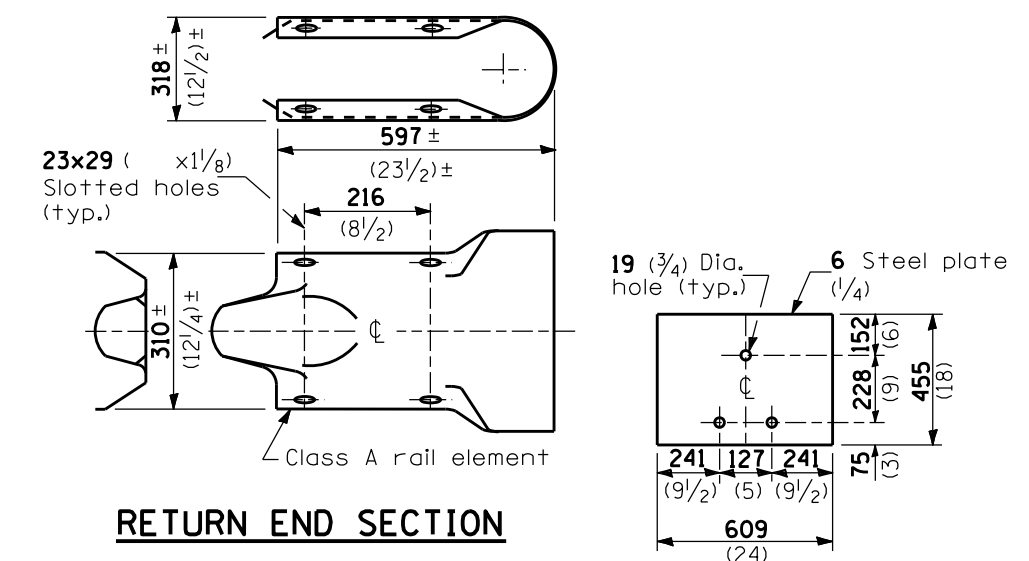
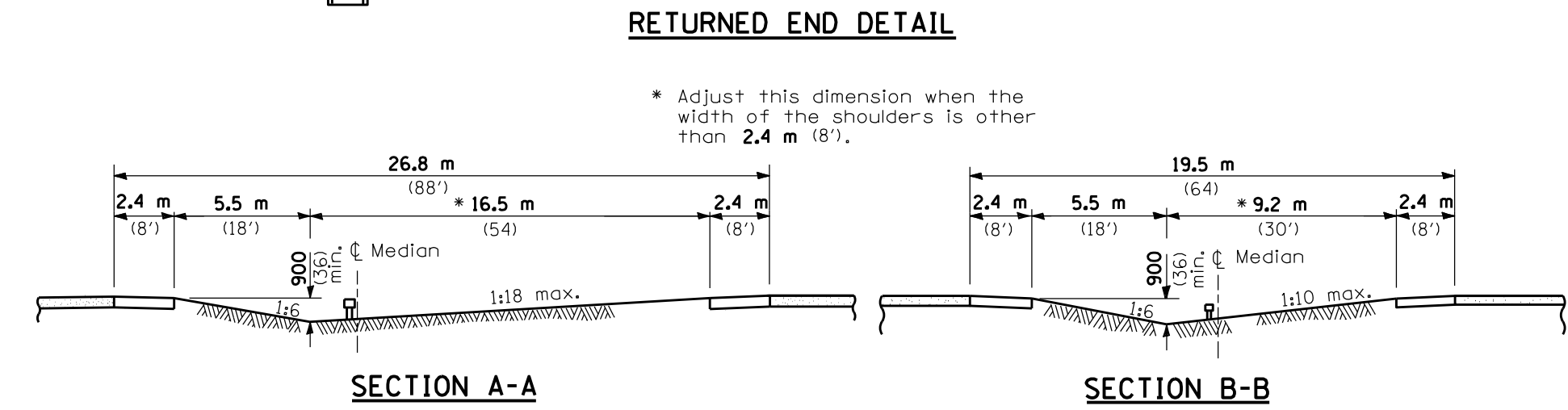
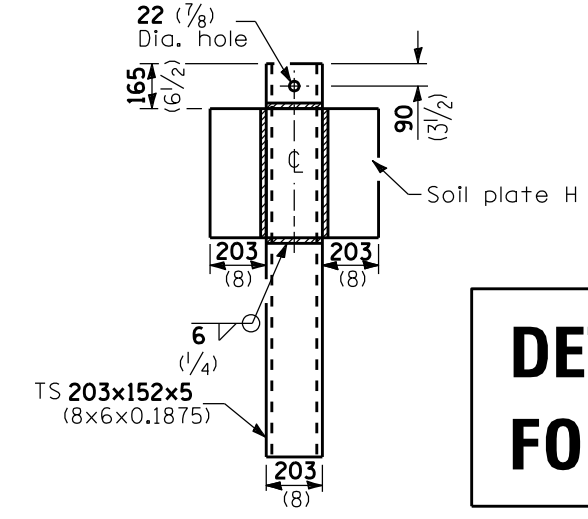
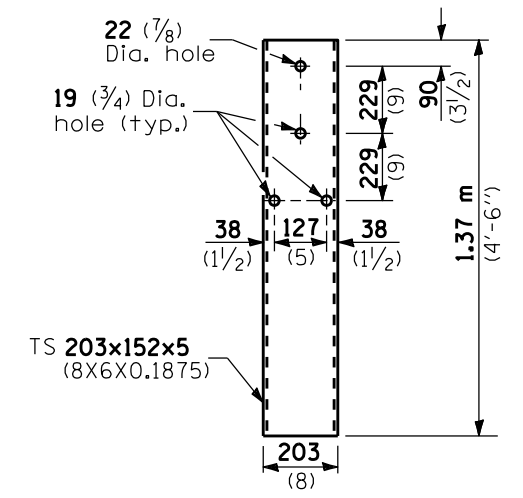
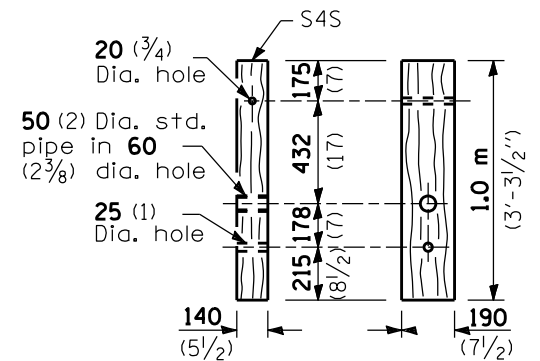
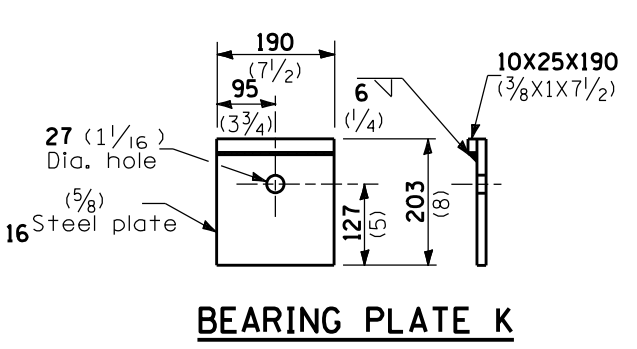


**WOOD POST TUBULAR STEEL FOUNDATION**



**SOIL PLATE H**



**DETAIL INCLUDED FOR REPAIR ONLY**

All dimensions are in millimeters (inches) unless otherwise shown.

FILE NAME =	USER NAME = \$USER\$	DESIGNED -	REVISED -	STATE OF ILLINOIS DEPARTMENT OF TRANSPORTATION	TRAFFIC BARRIER TERMINAL TYPE 4	F.A. RTE.	SECTION	COUNTY	TOTAL SHEETS	
*FILEL*		DRAWN -	REVISED -			VAR.	VAR.	43	19	
	PLOT SCALE = \$SCALE\$	CHECKED -	REVISED -			CONTRACT NO. 66015				
	PLOT DATE = \$DATE\$	DATE -	REVISED -			FED. ROAD DIST. NO. ILLINOIS FED. AID PROJECT				
SCALE: _____ SHEET NO. _____ OF _____ SHEETS					STA. _____ TO STA. _____					

• D-3 HIGHWAY DAMAGE REPAIR 2015