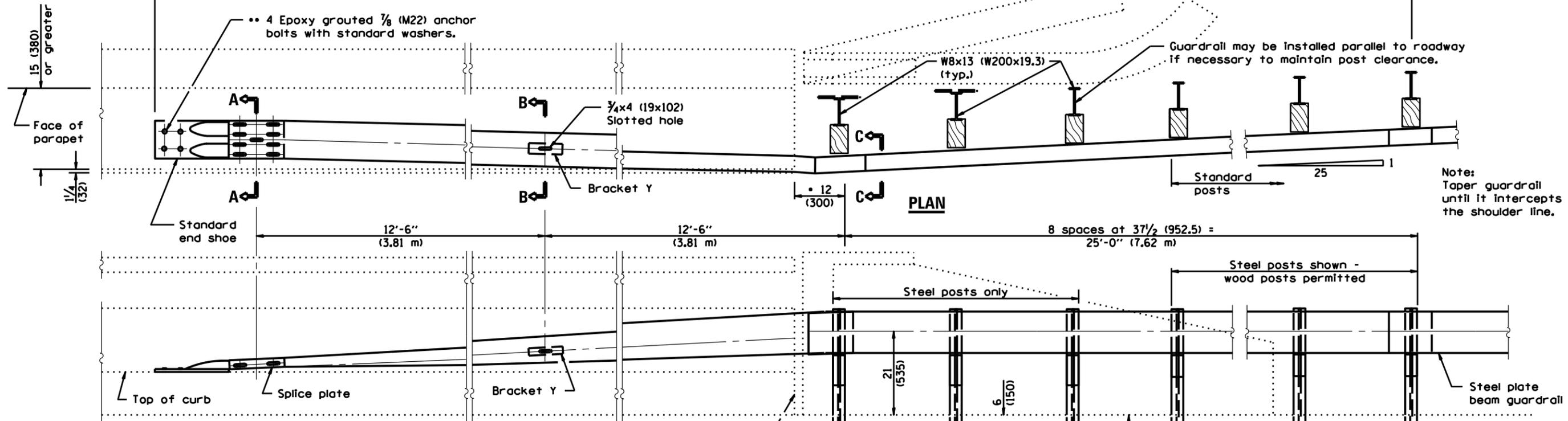
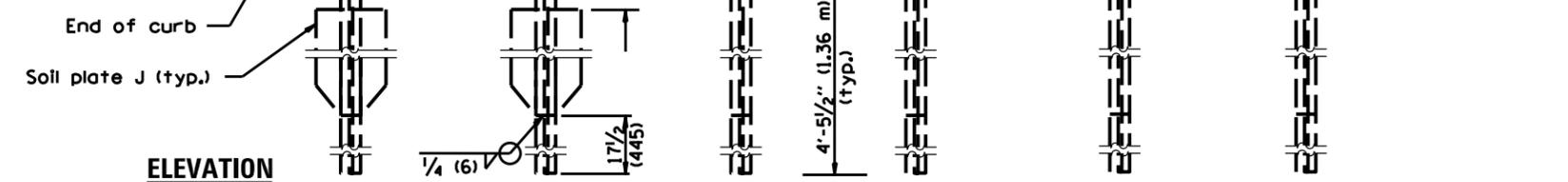


Pay limits of TRAFFIC BARRIER TERMINAL TYPE 8 (1 each)

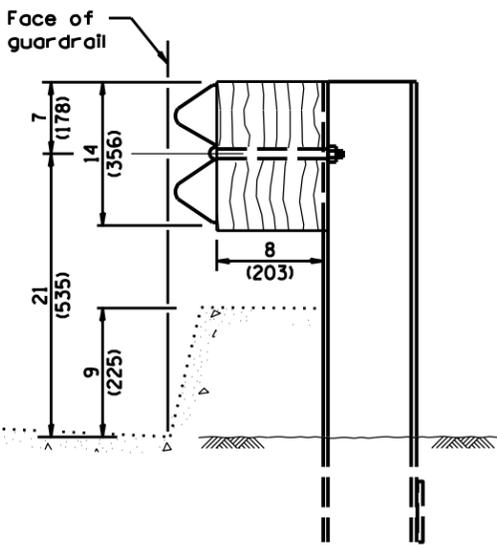
Pay limits of other types



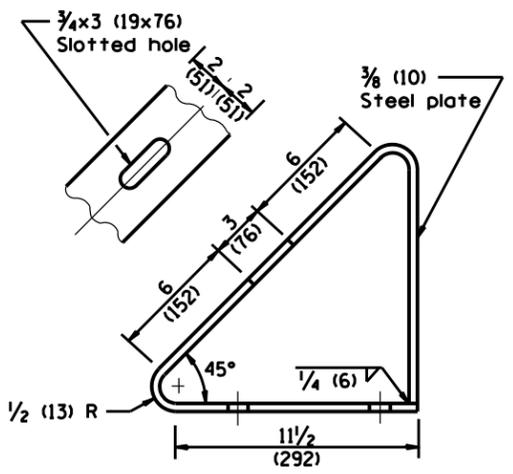
Note: Taper guardrail until it intercepts the shoulder line.



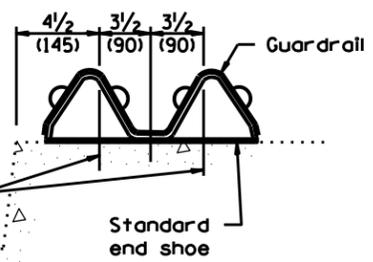
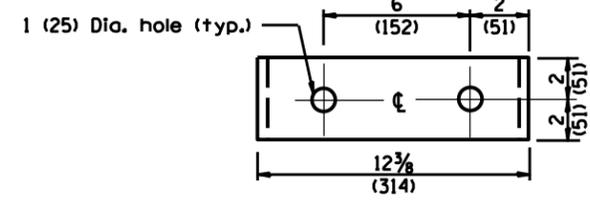
ELEVATION



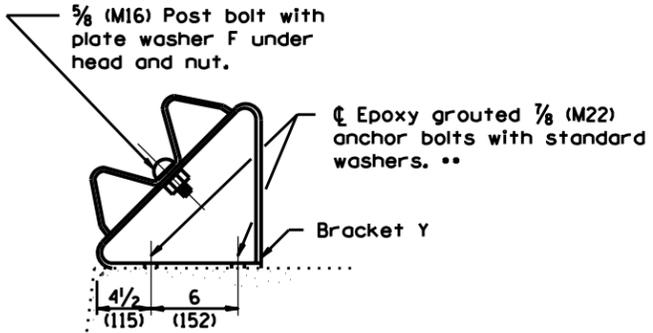
SECTION C-C



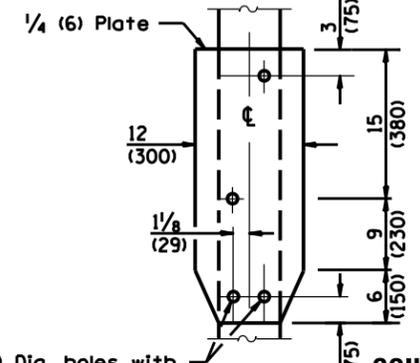
BRACKET Y



SECTION A-A



SECTION B-B



SOIL PLATE J & ALTERNATE CONNECTION DETAILS

**GENERAL NOTES**

- See Standard 630001 for details of guardrail not shown.
- This dimension may be increased to fit field conditions. This post shall be located first. The layout of the terminal shall be determined by its location.
- After tightening, cut the anchor bolts flush with nuts, and damage the bolt head to prevent them from loosening.
- All dimensions are in inches (millimeters) unless otherwise shown.

FILE NAME =	USER NAME = \$USER\$	DESIGNED -	REVISED -	STATE OF ILLINOIS DEPARTMENT OF TRANSPORTATION	TRAFFIC BARRIER TERMINAL TYPE 8		F.A. RTE.	SECTION	COUNTY	TOTAL SHEETS	SHEET NO.	
*FILEL*		DRAWN -	REVISED -		SCALE: _____	SHEET _____ OF _____ SHEETS	STA. _____ TO STA. _____	VAR.		VAR.	43	20
*MODELNAME*		CHECKED -	REVISED -									
		DATE -	REVISED -									

• D-3 HIGHWAY DAMAGE REPAIR 2015

ILLINOIS FED. AID PROJECT