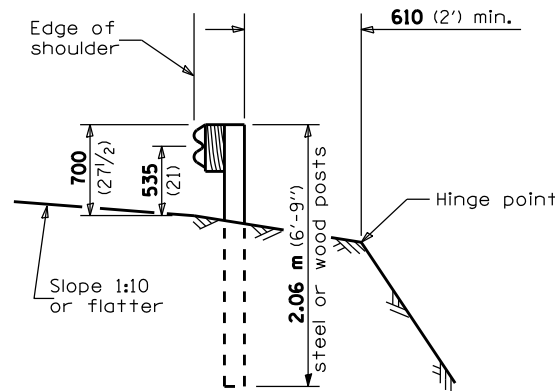


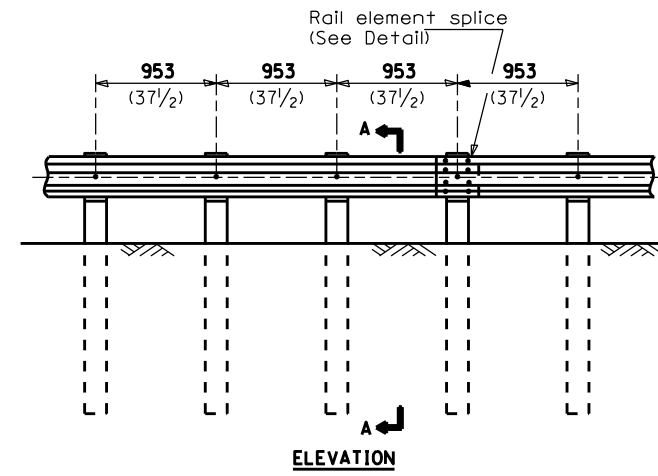
ELEVATION

TYPE A

1.905 m (6'-3") Typical post spacing



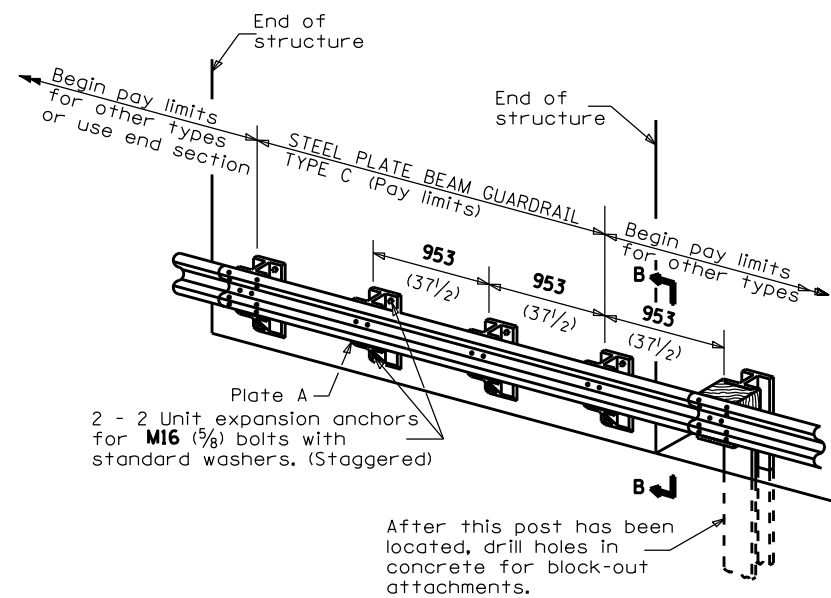
SECTION A-A



ELEVATION

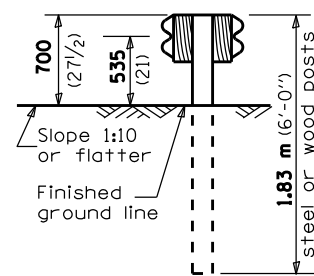
TYPE B

953 (37 1/2) Closed post spacing

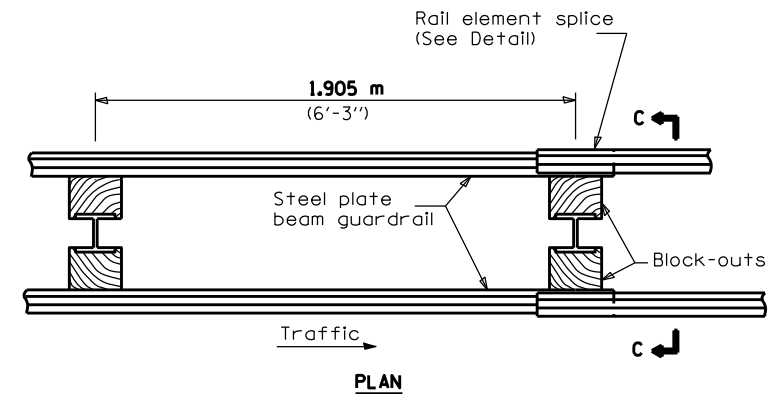


TYPE C

953 (37 1/2) Block-out spacing



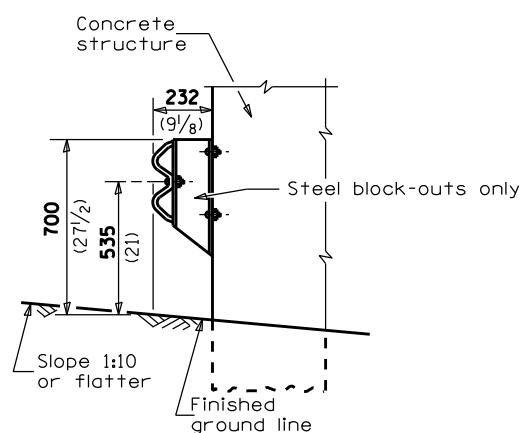
SECTION C-C



PLAN

TYPE D

Double steel plate beam guardrail
1.905 m (6'-3") typical post spacing



SECTION B-B

GENERAL NOTES

All slope ratios are expressed as units of vertical displacement to units of horizontal displacement (V:H).
All dimensions are in millimeters (inches) unless otherwise shown.

FILE NAME = *FILE*	USER NAME = *USER*	DESIGNED - DRAWN -	REVISED - REVISED -	STATE OF ILLINOIS DEPARTMENT OF TRANSPORTATION	PRE-MGS EFFECTIVE 4-1-06 STEEL PLATE BEAM GUARDRAIL STANDARD 630001-06 (Sheet 1 of 4)	F.A. RTE. _____	SECTION _____	COUNTY _____	TOTAL SHEETS _____	SHEET NO. _____	
	PLOT SCALE = *SCALE*	CHECKED -	REVISED -			SCALE: _____	SHEET NO. _____ OF _____ SHEETS	STA. _____	TO STA. _____	FED. ROAD DIST. NO. _____	ILLINOIS FED. AID PROJECT
	PLOT DATE = *DATE*	DATE -	REVISED -								