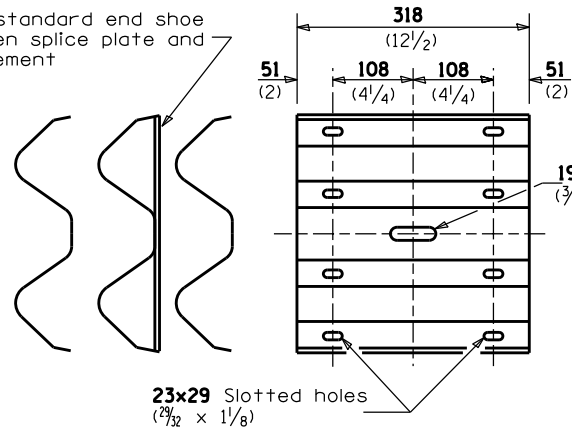
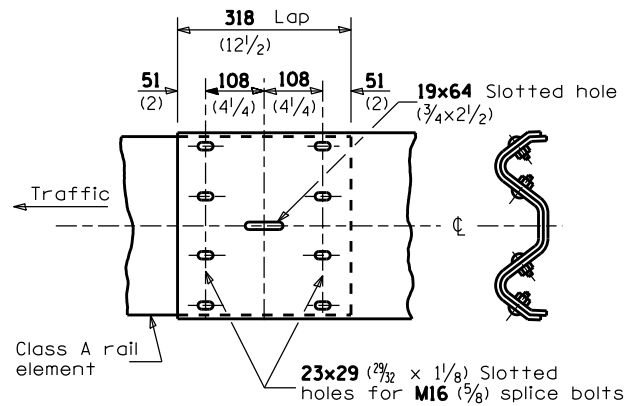


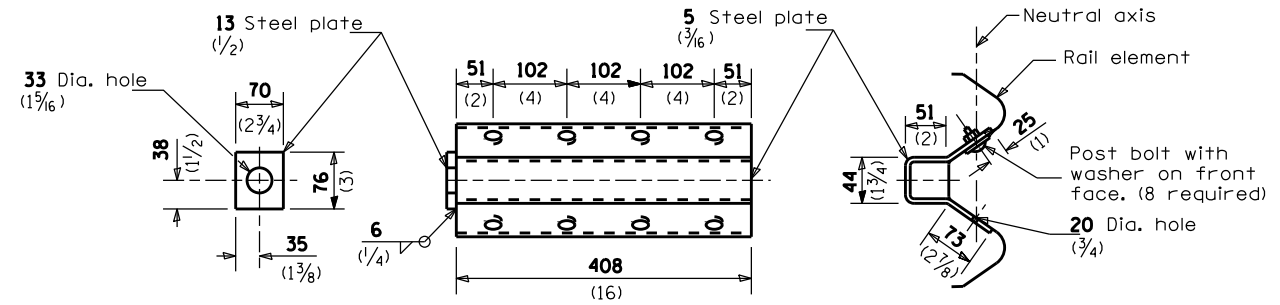
Place standard end shoe between splice plate and rail element



SPLICE PLATE



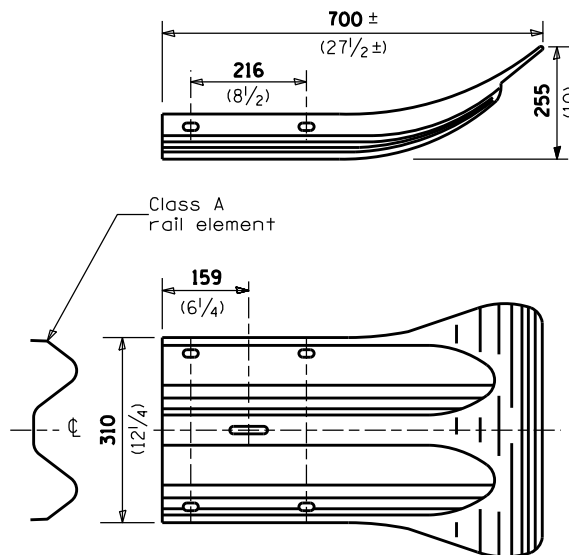
RAIL ELEMENT SPLICE



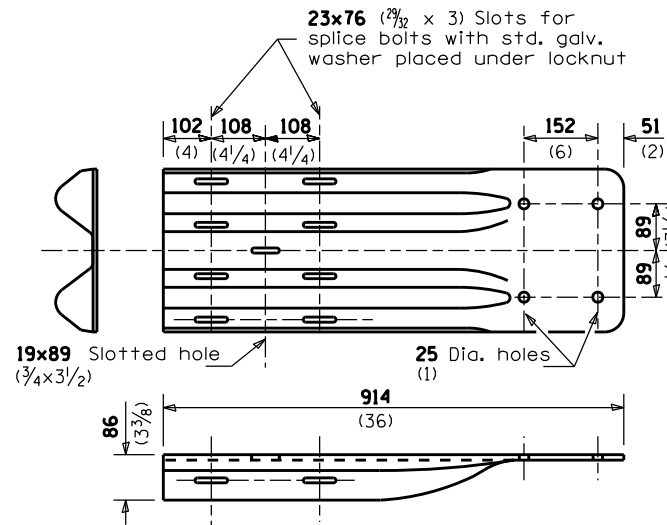
NOTE

Anchor plate T shall be used to attach cable assembly to guardrail when required on traffic barrier terminals.

ANCHOR PLATE T DETAILS



END SECTION



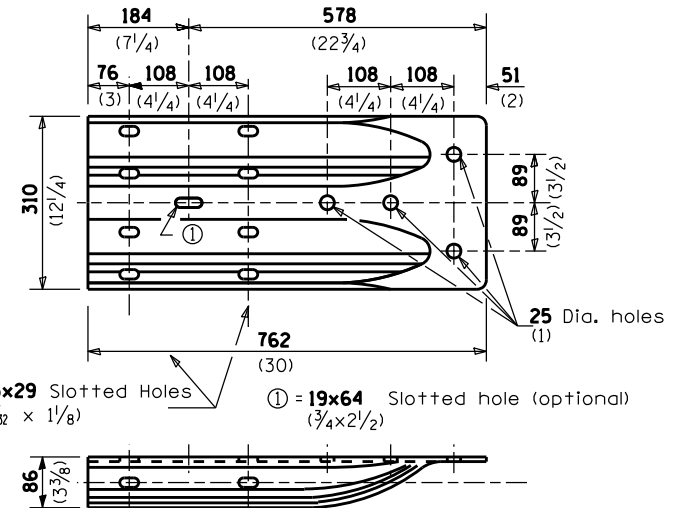
NOTE

When end shoe is attached to a bridge parapet which has an expansion joint, the bolts shall be provided with a locknut or double nut and shall be tightened only to a point that will allow guardrail movement.

The standard end shoe shall be attached to the concrete with pre-drilled or self-drilling anchor bolts. The anchor cone shall be set flush with the surface of the concrete.

Externally threaded studs protruding from the surface of the concrete will not be permitted.

END SHOE



ALTERNATE END SHOE

FILE NAME =	USER NAME = \$USER*	DESIGNED -	REVISED -	STATE OF ILLINOIS DEPARTMENT OF TRANSPORTATION	PRE-MGS EFFECTIVE 4-1-06 STEEL PLATE BEAM GUARDRAIL STANDARD 630001-06 (Sheet 3 of 4)	F.A. RTE.	SECTION	COUNTY	TOTAL SHEETS	SHEET NO.
FILEL		DRAWN -	REVISED -			VAR.		VAR.	43	25
PLOT SCALE = \$SCALE*		CHECKED -	REVISED -			CONTRACT NO. 66015				
PLOT DATE = \$DATE*		DATE -	REVISED -			FED. ROAD DIST. NO. ILLINOIS FED. AID PROJECT				
				SCALE:	SHEET NO. OF SHEETS	STA.	TO STA.			