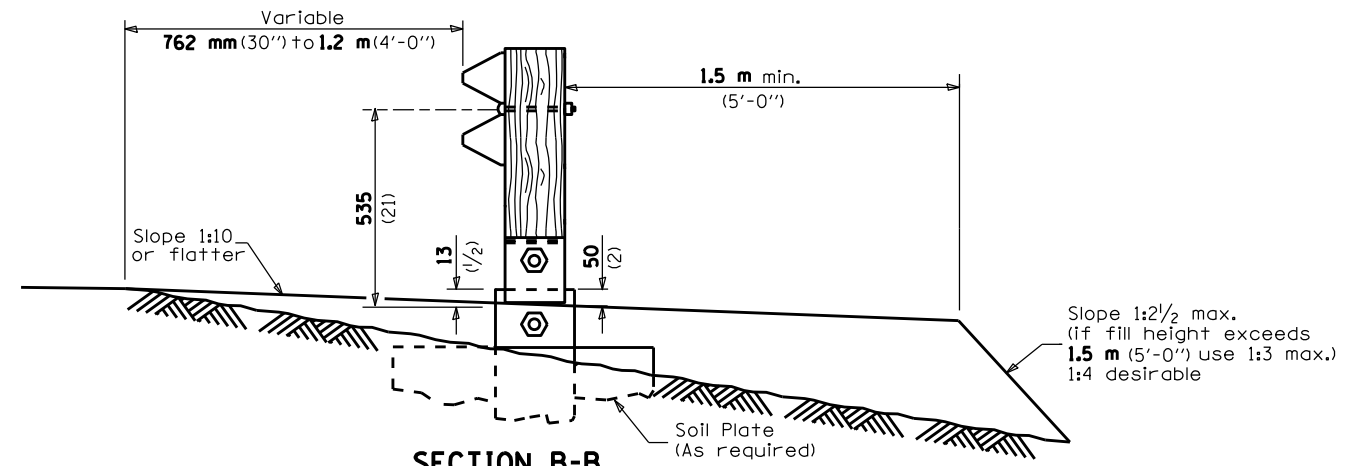


**SHOULDER WIDENING TRANSITION
FOR FLARED TERMINAL**



SECTION B-B
(End section omitted for clarity.)

• D-3 HIGHWAY DAMAGE REPAIR 2015

FILE NAME = *FILEL*	USER NAME = *USER*	DESIGNED - ___	REVISED - ___	STATE OF ILLINOIS DEPARTMENT OF TRANSPORTATION	PRE-MGS EFFECTIVE 4-1-06 SHOULDER WIDENING FOR TYPE 1 (SPECIAL) GUARDRAIL TERMINALS STANDARD 630301-03 (Sheet 2 of 2)		F.A. RTE.	SECTION	COUNTY	TOTAL SHEETS	SHEET NO.	
	PLOT SCALE = *SCALE*	DRAWN - ___	REVISED - ___		SCALE: _____	SHEET NO. ___ OF ___ SHEETS	STA. _____ TO STA. _____	VAR.	VAR.	VAR.	43	30
	PLOT DATE = *DATE*	CHECKED - ___	REVISED - ___									
		DATE - _____	REVISED - ___					FED. ROAD DIST. NO. _____	ILLINOIS FED. AID PROJECT			CONTRACT NO. 66015