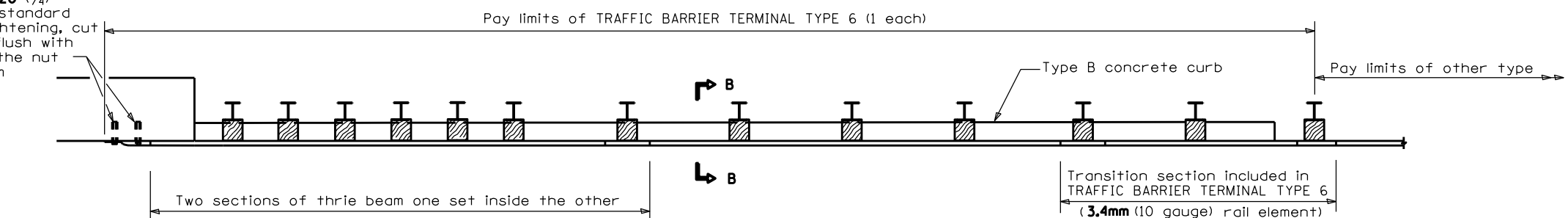
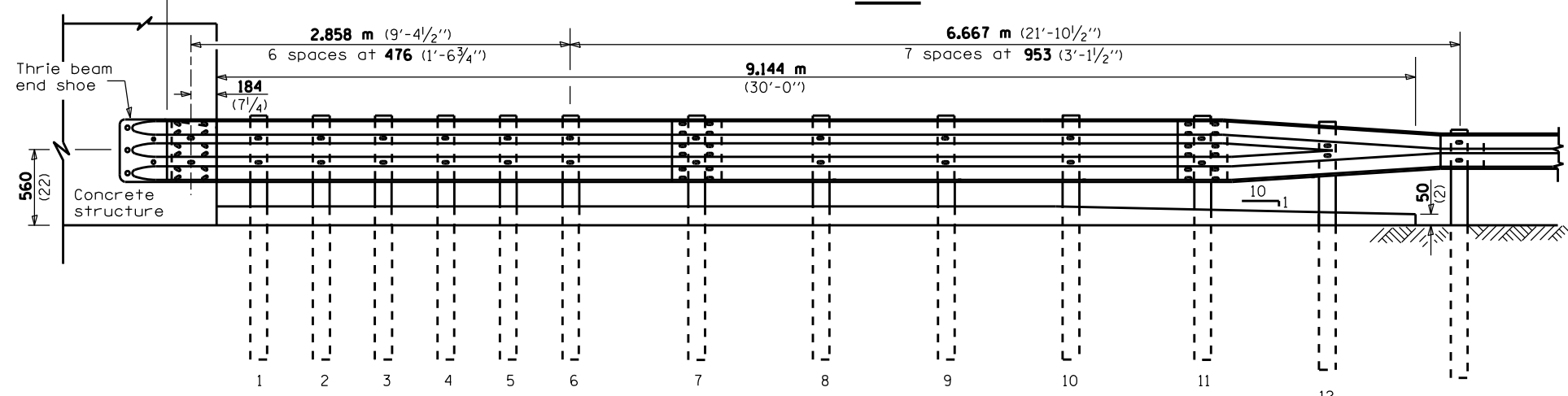


**OTHER CONCRETE STRUCTURE**

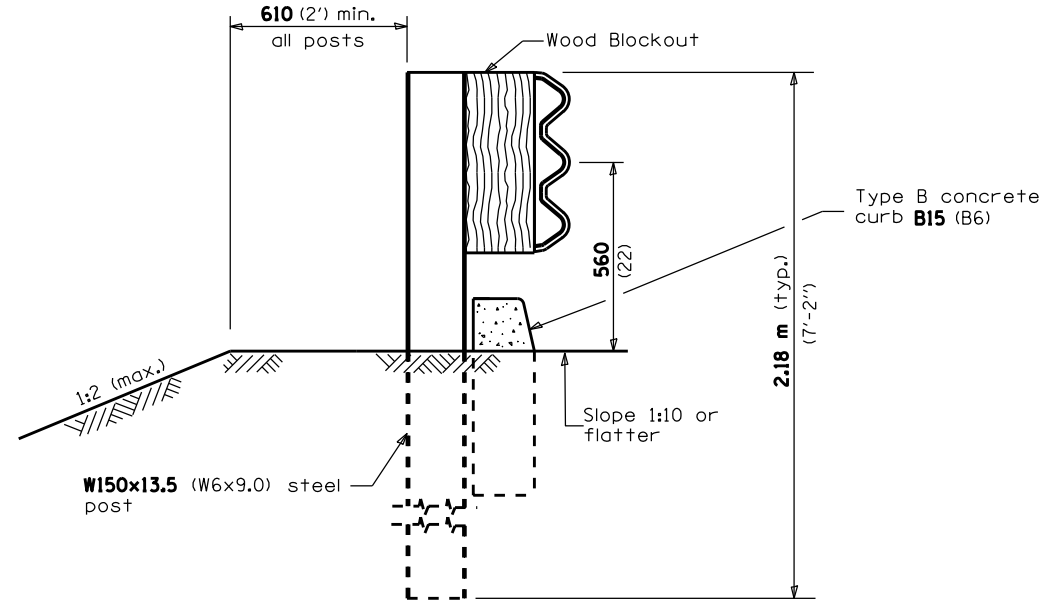
5 Epoxy grouted **M20** ( $\frac{3}{4}$ ) anchor bolts with standard washers. After tightening, cut the anchor bolts flush with nuts, and damage the nut to prevent it from loosening.



**PLAN**



**ELEVATION**



**SECTION B-B**

• D-3 HIGHWAY DAMAGE REPAIR 2015

|                        |                      |                |               |   |  |   |               |              |                    |                 |  |
|------------------------|----------------------|----------------|---------------|---|--|---|---------------|--------------|--------------------|-----------------|--|
| FILE NAME =<br>*FILEL* | USER NAME = *USER*   | DESIGNED - ___ | REVISED - ___ | STATE OF ILLINOIS<br>DEPARTMENT OF TRANSPORTATION | PRE-MGS EFFECTIVE 4-1-06<br>TRAFFIC BARRIER TERMINAL, TYPE 6<br>STANDARD 631031-05<br>Sheet 2 of 3 | F.A. RTE. _____   | SECTION _____ | COUNTY _____ | TOTAL SHEETS _____ | SHEET NO. _____ |  |
|                        | PLOT SCALE = *SCALE* | DRAWN - ___    | REVISED - ___ |   |  | VAR. _____  | VAR. _____    | VAR. _____   | 43                 | 34              |  |
|                        | PLOT DATE = *DATE*   | CHECKED - ___  | REVISED - ___ |   |  | CONTRACT NO. 66015  |               |              |                    |                 |  |
|                        |                      | DATE - ___     | REVISED - ___ |   |  | FED. ROAD DIST. NO. _____ ILLINOIS FED. AID PROJECT _____ |               |              |                    |                 |  |