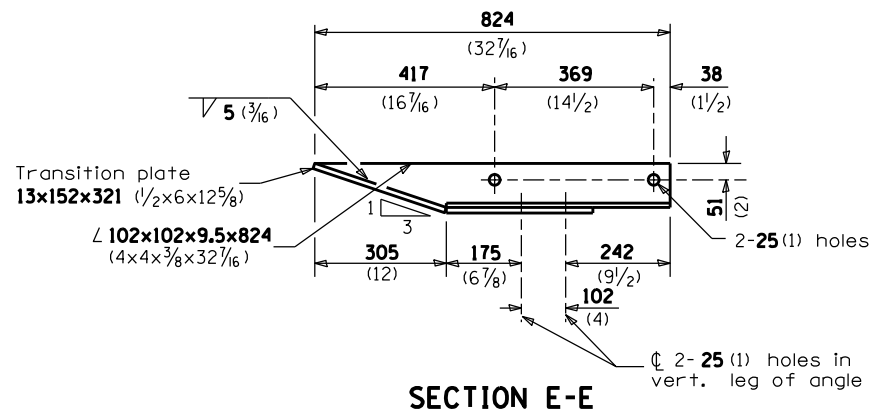
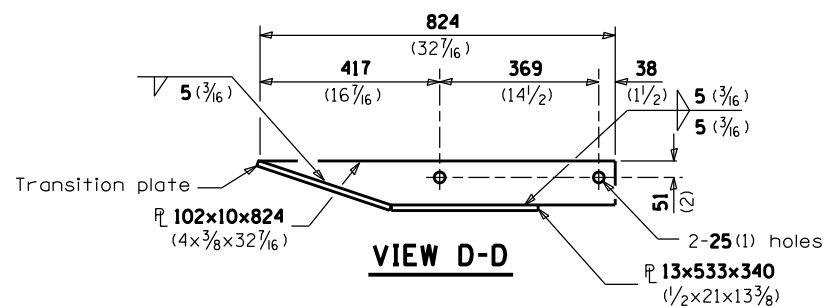
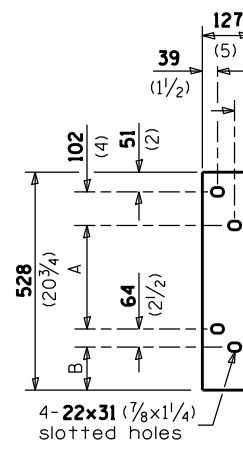


**GUARDRAIL CONNECTION PLATE ASSEMBLY DETAILS**  
(Mirror for opposite end)

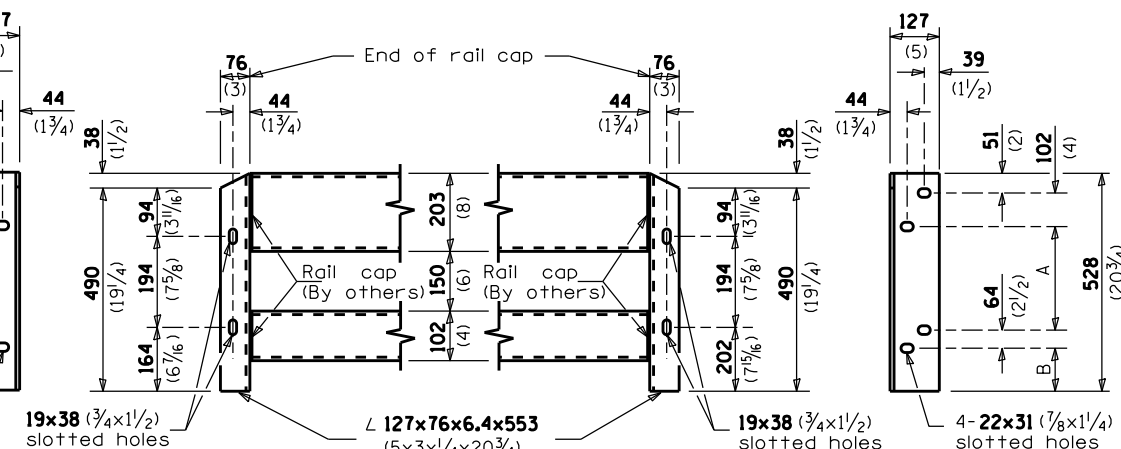


- LEGEND**
- 4-25 (1) holes for 22 (7/8) H.S. bolts and nuts
  - ⊗ Drill and tap 3 holes for 22 (7/8) H.S. bolts.

Dimensions	A	B
For Curb Mounted Rail	222 (8 3/4)	89 (3 1/2)
For Side Mounted Rail	247 (9 3/4)	64 (2 1/2)



**DEPARTURE END VIEW**



**APPROACH END VIEW**

**CONNECTION ANGLES**

(Install angles to rail caps using 19 (5/8) washers and self-locking nuts or nuts and jam nuts, to be provided by others)