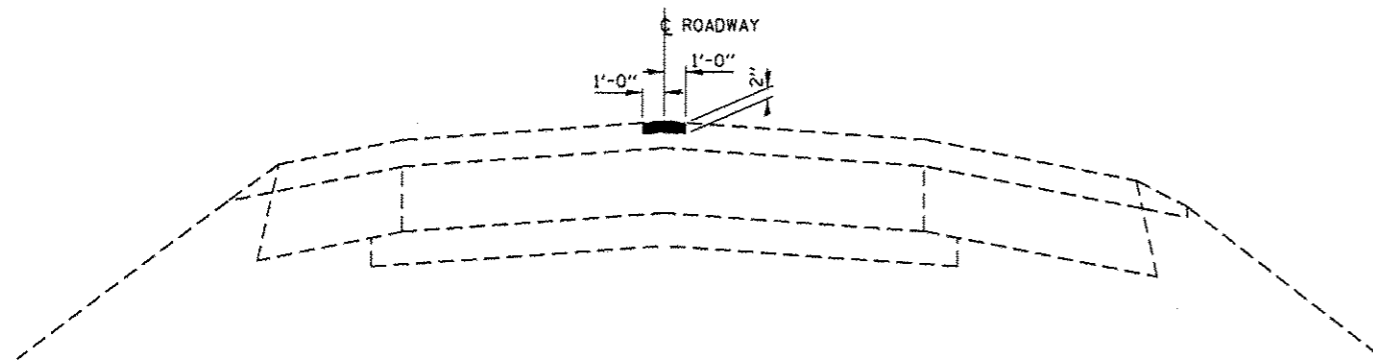
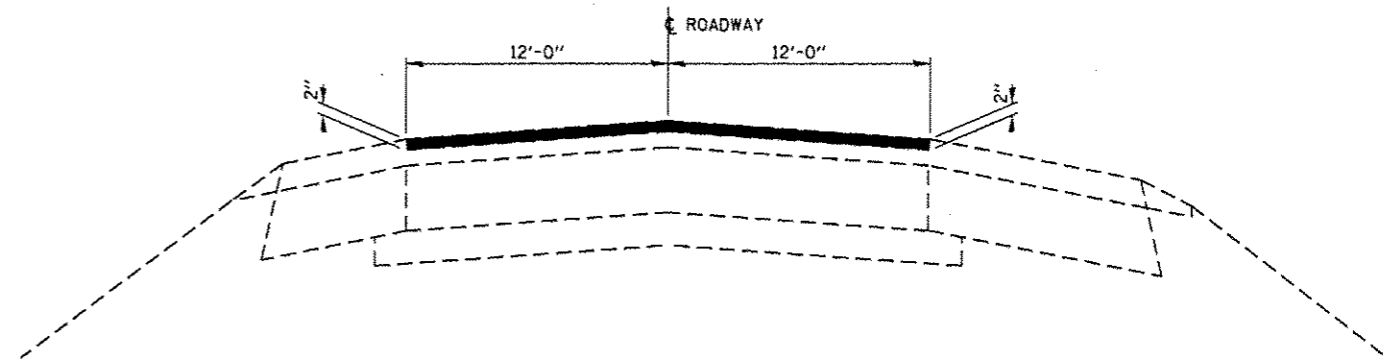


**TYPICAL SECTION**



**TYPICAL SECTION AT CENTERLINE REPAIR LOCATIONS**



**TYPICAL SECTION AT LANE REPAIR LOCATIONS**

**MIXTURES TABLE**

	LOCATION HMA SURFACE	LOCATION HMA LEVEL BINDER (HM)
PG GRADE	SBS PG70-22	PG64-22
DESIGN AIR VOIDS	4.0% @ N90	4.0% @ N90
MIXTURE COMPOSITION	IL 9.5	IL 9.5
FRICTION AGGREGATE	MIXTURE D	
DENSITY TEST METHOD	CORES	SATISFACTION OF ENGINEER

FILE NAME =	USER NAME = woodshankr1	DESIGNED - RW	REVISED -
c:\pwwork\pwwork\woodshankr1\d0308872\0366071-shr-detail.dgn		DRAWN - RW	REVISED -
		CHECKED - YP	REVISED -
#MODELNAME#	PLDT DATE = 4/15/2014	DATE - 4/15/2014	REVISED -

**STATE OF ILLINOIS  
DEPARTMENT OF TRANSPORTATION**

**TYPICAL SECTIONS**

SCALE: SHEET 1 OF 1 SHEETS STA. TO STA.

F.A.I. RTE.	SECTION	COUNTY	TOTAL SHEETS	SHEET NO.
57	D3 HMA SURFACE REPAIR	IROQUOIS	9	5
CONTRACT NO. 66D71				
ILLINOIS FED. AID PROJECT				