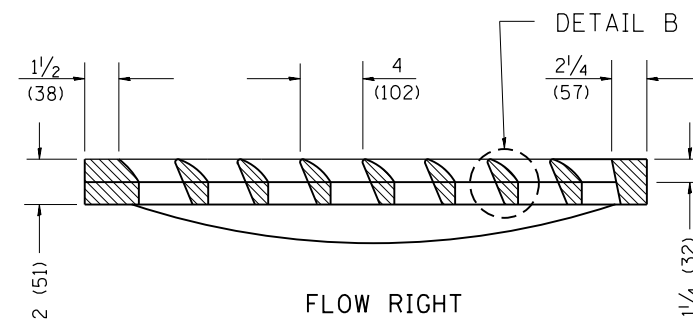
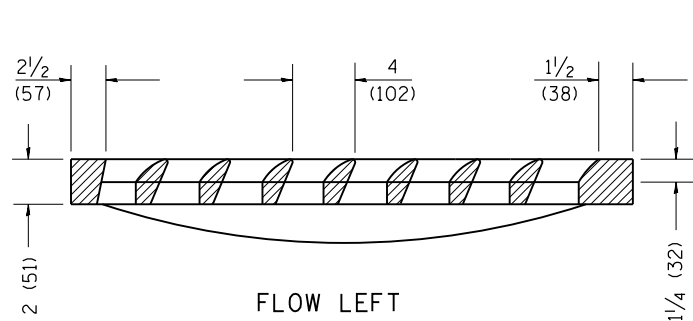
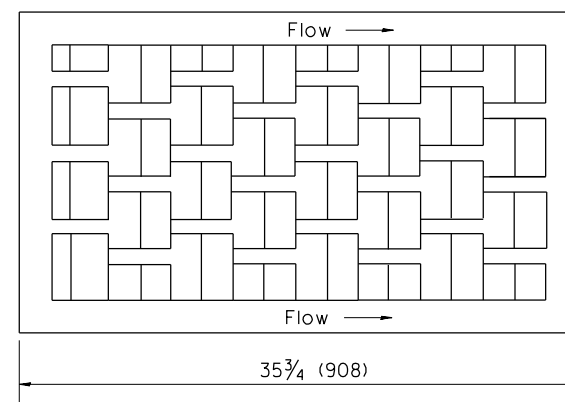
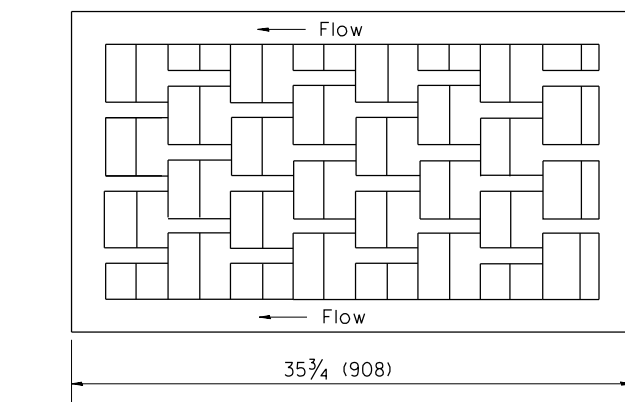
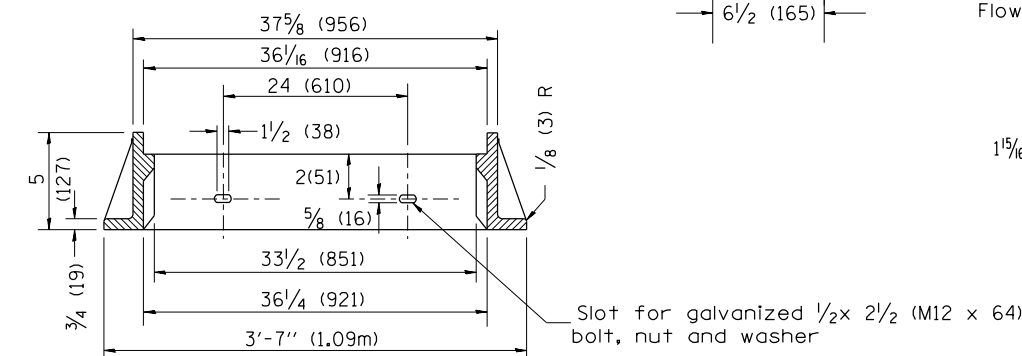
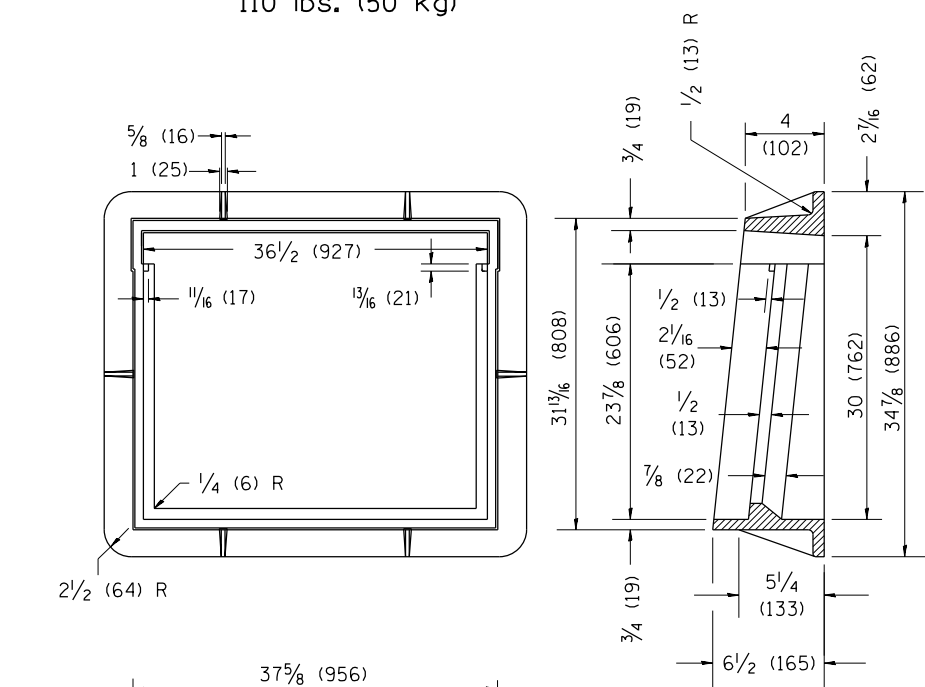
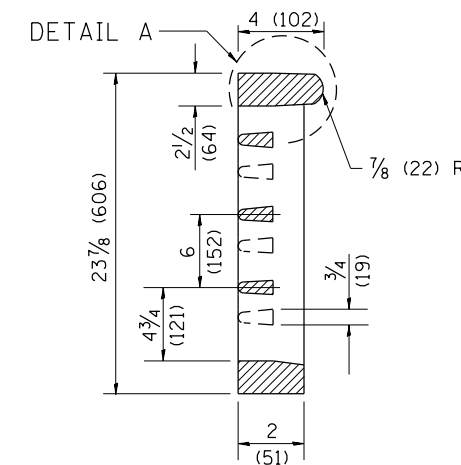


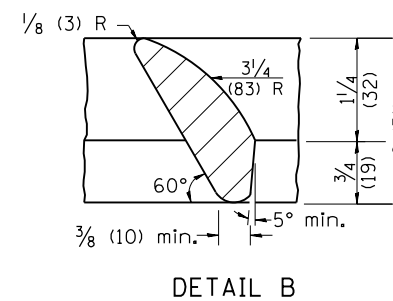
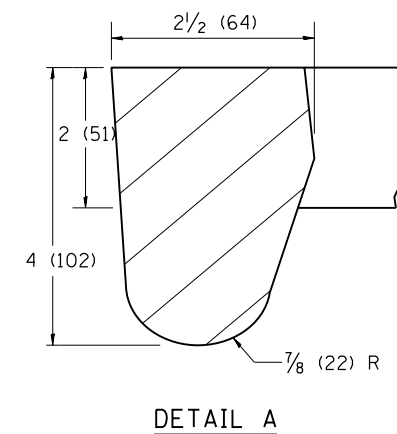
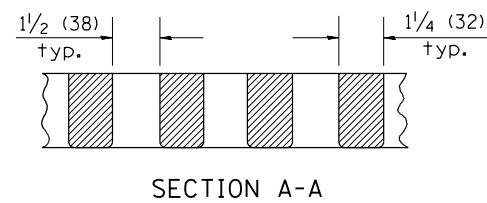
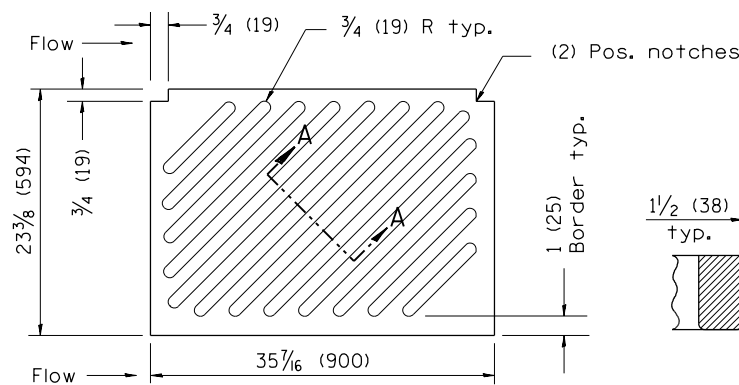
**CAST CURB BOX**  
110 lbs. (50 kg)



**CAST VANE GRATES**  
(SPECIFY LEFT OR RIGHT FLOW)  
230 lbs. (104 KG)



**CAST DIAGONAL GRATE**  
(Reversible for flow)  
217 lbs. (98 kg)



**GENERAL NOTES**

1. The frame and grate shown on this drawing are for use with all TYPE G-1 and TYPE G-1, SPECIAL DRAINAGE STRUCTURES. See plans for grate type and flow direction.
2. Flow direction: As viewed from street side.
3. Material: cast gray iron.

All dimensions are in inches (millimeters) unless otherwise noted.

01-01-97	RENUM. B-10.01, NEW REVISION BOX	T.P.
10-16-06	REVISED TO 2007 SPEC.	M.A.

STATE OF ILLINOIS  
DEPARTMENT OF TRANSPORTATION

FRAME & GRATES FOR TYPE G-1 AND TYPE G-1,  
SPECIAL DRAINAGE STRUCTURES

NOT TO SCALE

CADD STD. 604001-D4

F.A.P. RTE.	SECTION	COUNTY	TOTAL SHEETS	SHEET NO.
626	43N	KNOX	34	31
CONTRACT NO. 68B22				
FED. ROAD DIST. NO. ILLINOIS FED. AID PROJECT				