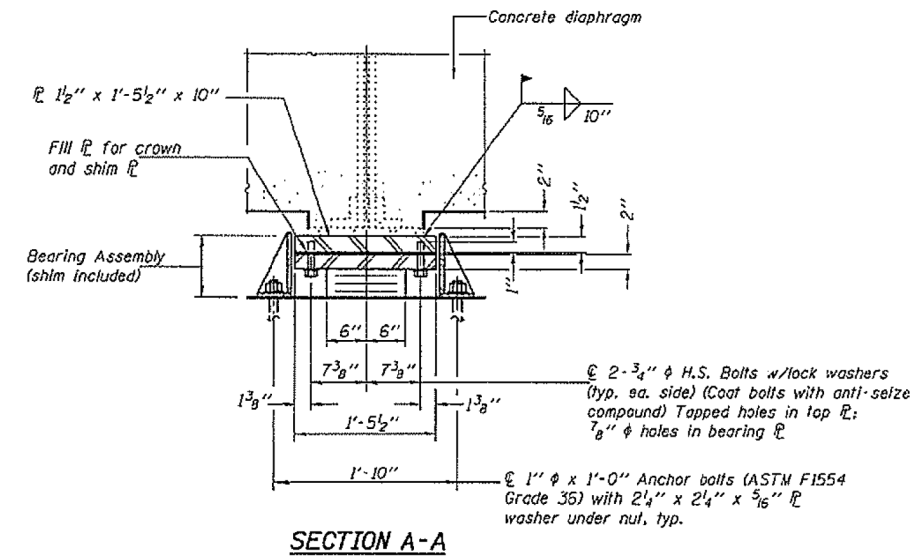
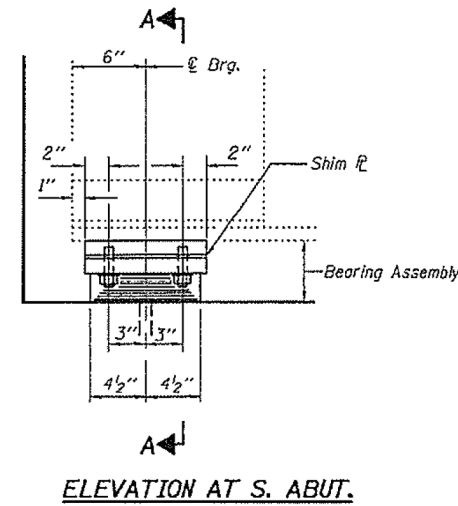
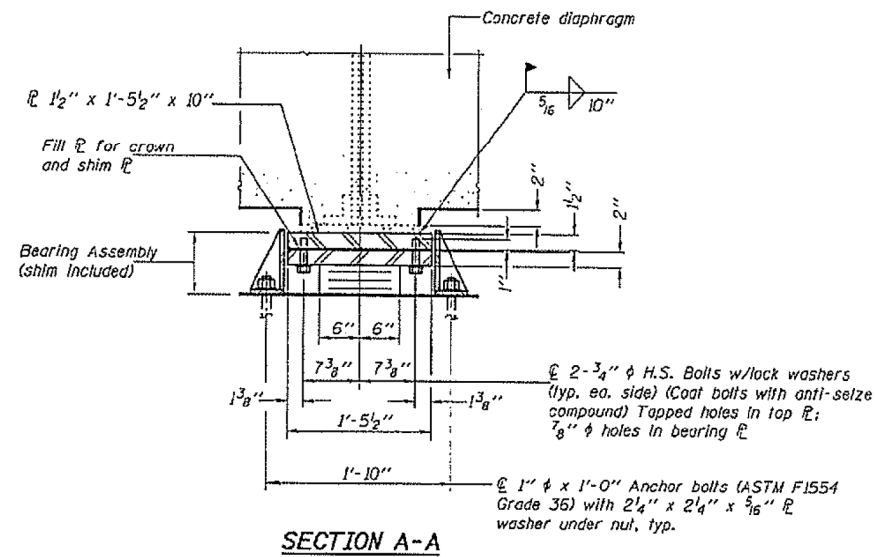
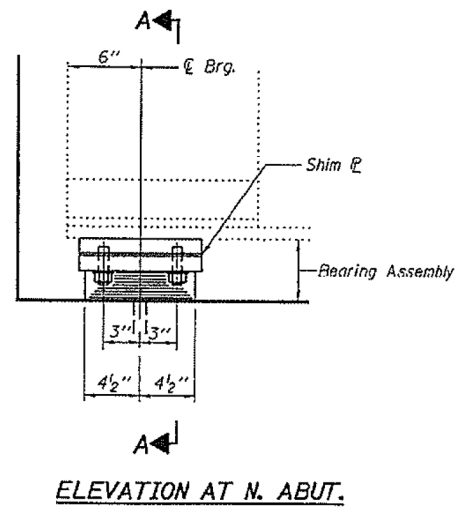


LOCATION 5 S.N. 094-0002 INFORMATION ONLY



TYPE I ELASTOMERIC EXP. BRG.



TYPE I ELASTOMERIC EXP. BRG.

FILE NAME = Contract 68B47 bridge painting 2014.dgn	USER NAME = keathbr	DESIGNED - TOM INGLIS	REVISED -
		DRAWN -	REVISED -
		CHECKED -	REVISED -
		DATE -	REVISED -

STATE OF ILLINOIS
DEPARTMENT OF TRANSPORTATION

LOCATION 5 BEARINGS 094-0002

SCALE: SHEET OF SHEETS STA. TO STA.

F.A. R.T.E.	SECTION	COUNTY	TOTAL SHEETS	SHEET NO.
VAR	D4 BRIDGE PAINTING 2014	VARIOUS	21	20
CONTRACT NO. 68B47				
ILLINOIS FED. AID PROJECT				