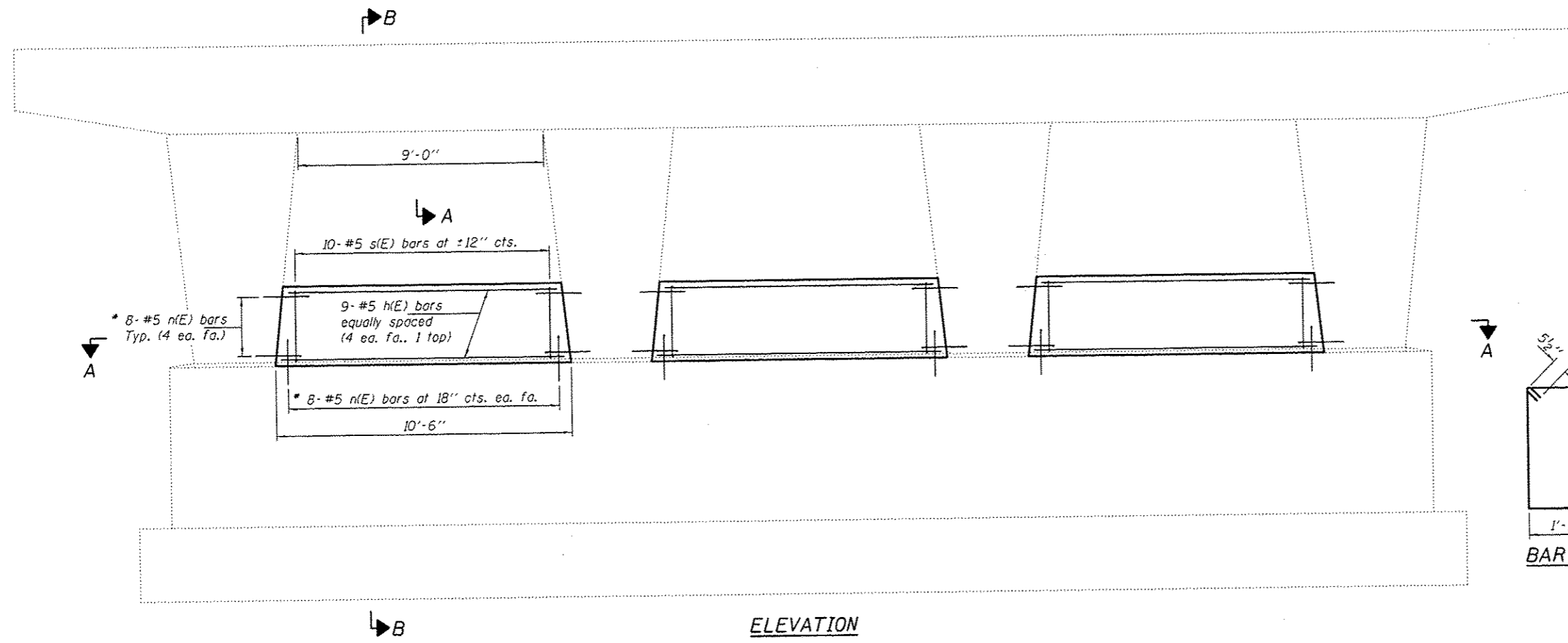
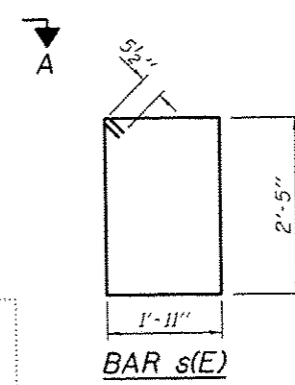


**NOTES**

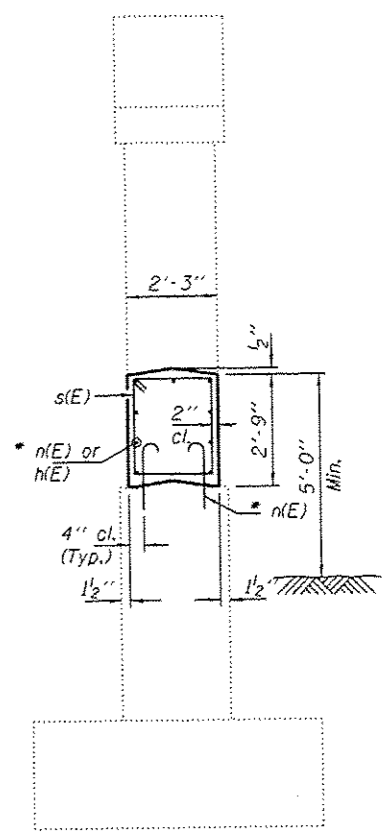
The cost of epoxy grouting threaded rods shall be included with Reinforcement Bars, Epoxy Coated.  
 Plan dimensions and details relative to existing plans are subject to nominal construction variations. The Contractor shall field verify existing dimensions and details affecting new construction and make necessary approved adjustments prior to construction or ordering of materials. Such variations shall not be cause for additional compensation for a change in scope of the work, however, the Contractor will be paid for the quantity actually furnished at the unit price bid for the work.  
 Reinforcement bars designated (E) shall be epoxy coated.



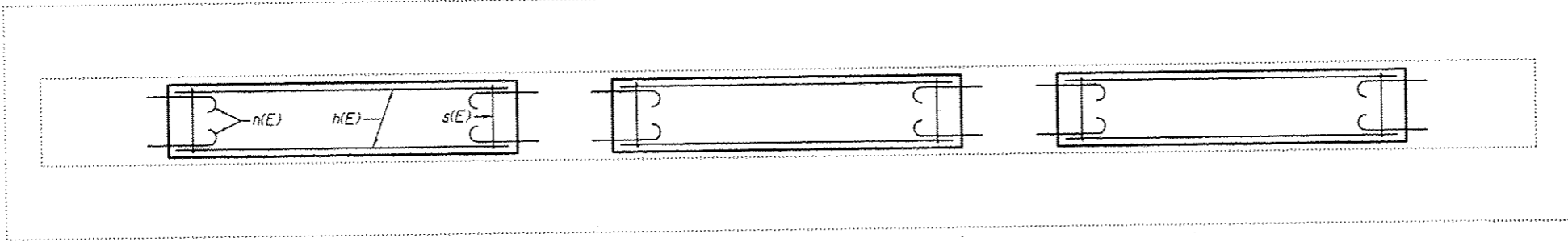
**ELEVATION**



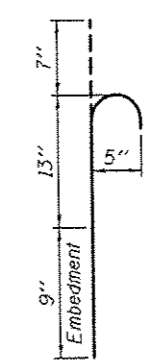
**BAR s(E)**



**SECTION B-B**



**SECTION A-A**



**BAR n(E)**

\* Epoxy grout n(E) bars in 9" min. holes according to Article 584 of the Standard Specifications.

**BILL OF MATERIAL**

Bar	No.	Size	Length	Shape
n(E)	27	#5	9'-9"	—
n(E)	96	#5	2'-5"	—
s(E)	30	#5	9'-7"	□
Concrete Structures			Cu. Yd.	7.2
Reinforcement Bars, Epoxy Coated			Pound	820

DESIGNED <i>DAB</i>	EXAMINED <i>Timothy A. Anhalt</i>	DATE <i>MAY 6, 2014</i>
CHECKED <i>VHV</i>	PASSED <i>Carl Pung</i>	REVISIONS
DRAWN <i>baliva</i>	ACTING ENGINEER OF BRIDGES AND STRUCTURES	
CHECKED <i>DAB VHV</i>		

**STATE OF ILLINOIS  
DEPARTMENT OF TRANSPORTATION**

<b>PIER 3 CRASHWALL EXTENSION</b>		F.A.U. RTE. 6791	SECTION 126RS-4	COUNTY KNOX	TOTAL SHEETS 76	SHEET NO. 61
SHEET NO. 2 OF 4 SHEETS		CONTRACT NO. 68B65				
ILLINOIS FED. AID PROJECT						