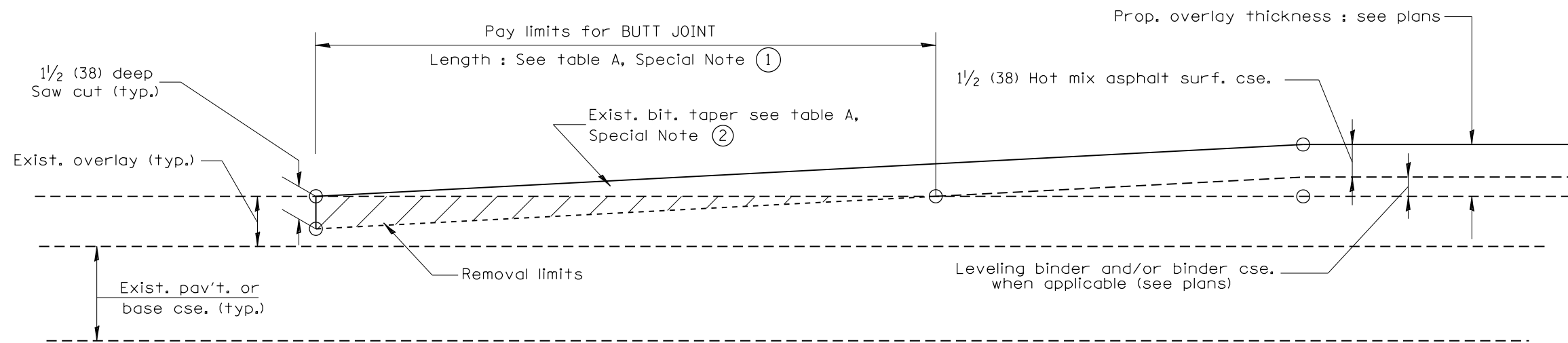
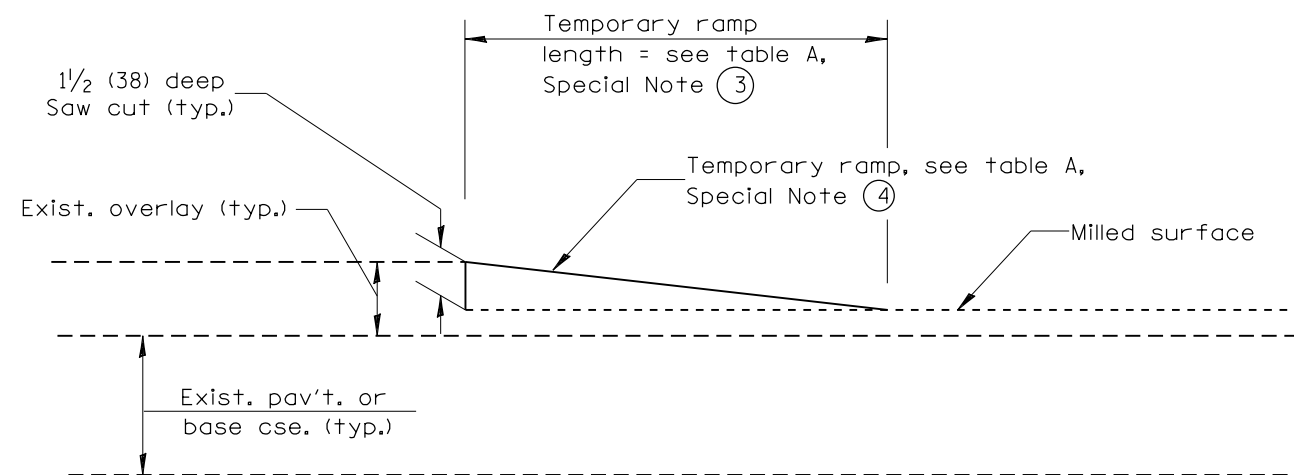


**CASE 3 : WITH HOT MIX ASPHALT SURFACE REMOVAL (COLD MILLING)**  
**TIE-IN TO EXISTING BITUMINOUS TAPER**



**CASE 4 : NO HOT MIX ASPHALT SURFACE REMOVAL (COLD MILLING)**  
**TIE-IN TO EXISTING BITUMINOUS TAPER**



**DETAIL TEMPORARY RAMP**

•673 & 339  
 •• (104X)1-1;(101)1-3;12-1;11-1-6;36-1-3

All dimensions are in inches (millimeters) unless otherwise noted.


**STATE OF ILLINOIS**  
**DEPARTMENT OF TRANSPORTATION**

**BUTT JOINTS**

NOT TO SCALE

SHT. 2 OF 3  
 CADD STD. 406101-D4

F.A.P. RTE.	SECTION	COUNTY	TOTAL SHEETS	SHEET NO.
•	••	TAZEWELL	15	13
FED. ROAD DIST. NO.			CONTRACT NO. 68B79	
ILLINOIS FED. AID PROJECT				