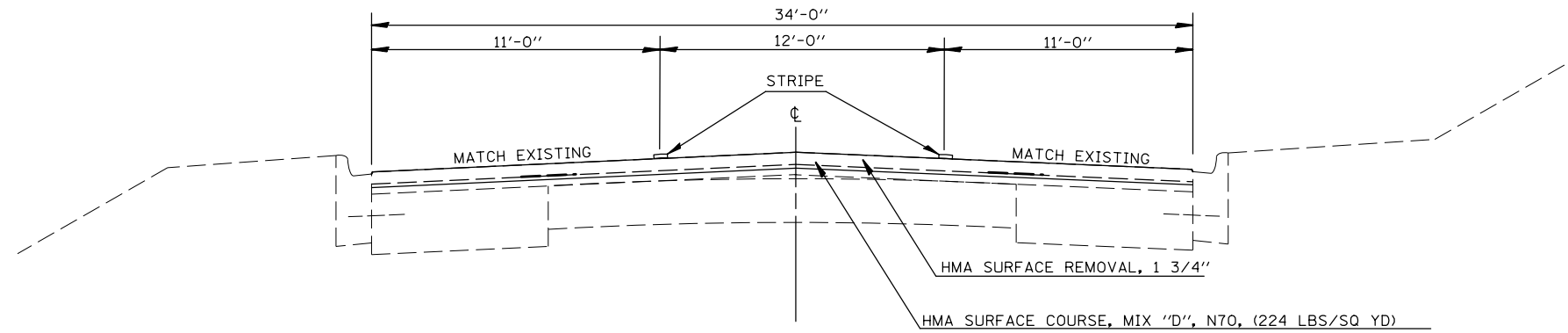
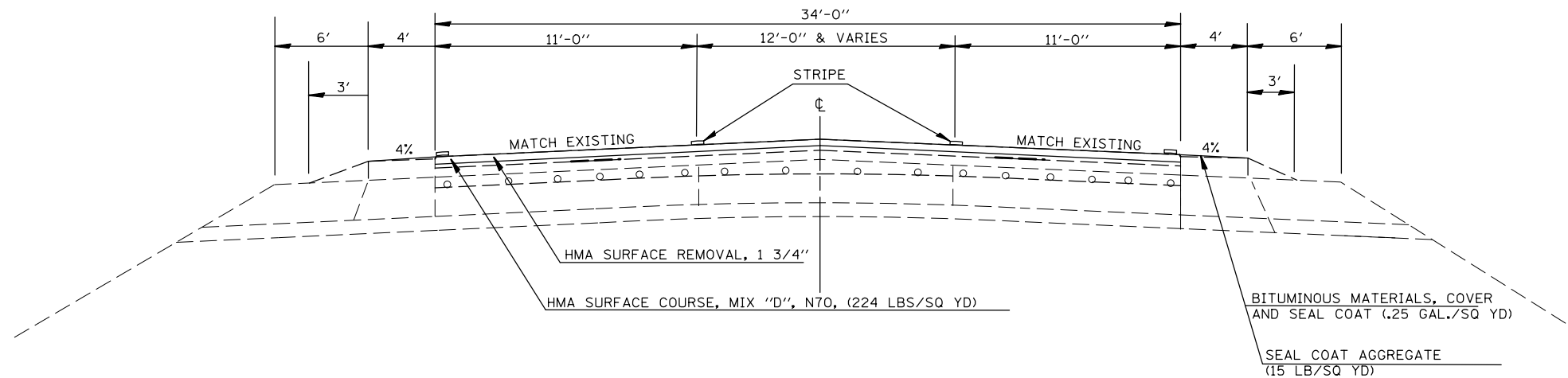


⑬ PROPOSED TYPICAL CROSS SECTION  
 ⑫ STATION 1023+75.64 TO STATION 1021+93.56 ⑬  
 ⑫ STATION 1010+57.41 TO STATION 1004+44 ⑭



⑭ PROPOSED TYPICAL CROSS SECTION  
 ⑫ STATION 1004+44 TO STATION 1001+46.20 ⑮



FILE NAME =	USER NAME = ceerlockjd	DESIGNED -	REVISED -	<b>STATE OF ILLINOIS DEPARTMENT OF TRANSPORTATION</b>	<b>PROPOSED TYPICALS</b>			F.A.P. RTE.	SECTION	COUNTY	TOTAL SHEETS	SHEET NO.
et:\pwork\pwork\ceerlockjd\0388189\03	70843-sh-t-typicals.dgn	DRAWN -	REVISED -					741	(7.ZIRS-3	PIATT	63	26
	PLOT SCALE = 40.0000' / in.	CHECKED -	REVISED -		SCALE: _____ SHEET 7 OF 11 SHEETS STA. _____ TO STA. _____			CONTRACT NO. 70843				
	PLOT DATE = 4/10/2014	DATE -	REVISED -		ILLINOIS FED. AID PROJECT							