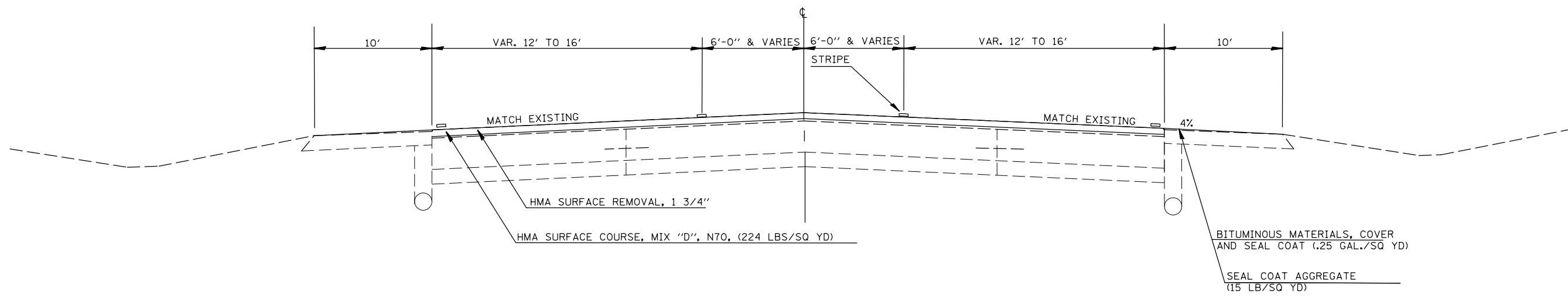
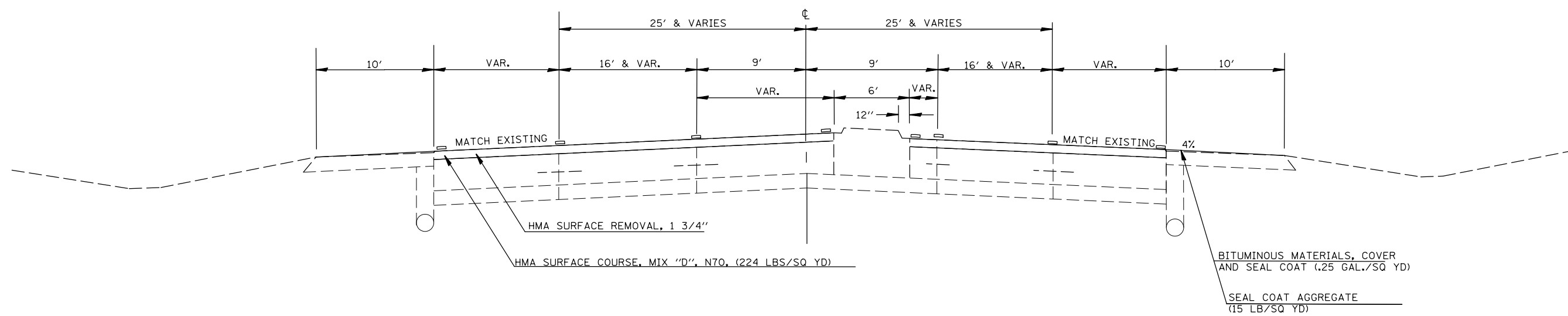


19 PROPOSED TYPICAL CROSS SECTION
 18 STATION 28+62 TO STATION 33+98 20



20 PROPOSED TYPICAL CROSS SECTION
 19 STATION 33+98 TO STATION 42+27.82 *

* I-72 RAMPS NOT INCLUDED



FILE NAME =	USER NAME = ceerlockjd	DESIGNED -	REVISED -	STATE OF ILLINOIS DEPARTMENT OF TRANSPORTATION	PROPOSED TYPICALS	F.A.P. RTE.	SECTION	COUNTY	TOTAL SHEETS	SHEET NO.
ce:\pwwork\pwwork\ceerlockjd\0388189\0388189.dgn	70843-shr-typicals.dgn	DRAWN -	REVISED -			741	(7,ZRS-3)	PIATT	63	29
PLOT SCALE = 40.0000' / in.	CHECKED -	REVISED -	REVISED -			CONTRACT NO. 70843				
PLOT DATE = 4/10/2014	DATE -	REVISED -	REVISED -			ILLINOIS FED. AID PROJECT				