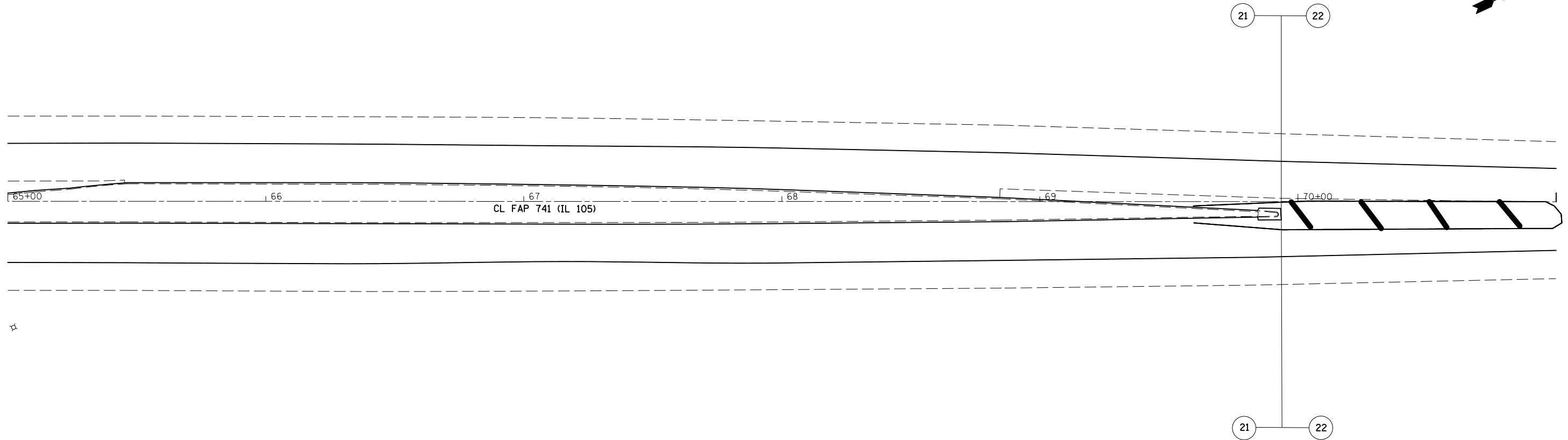
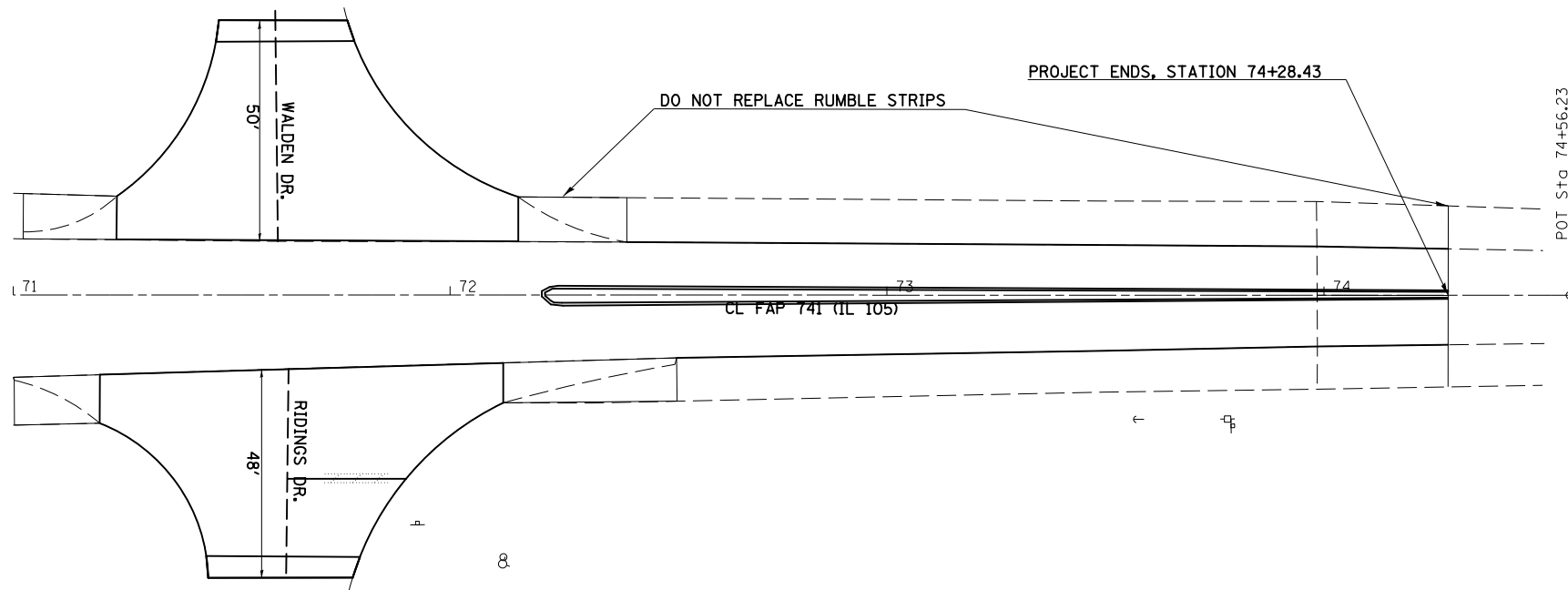


SEC. 31 - T19N - R6E - 3RD PM



SEC. 31 - T19N - R6E - 3RD PM



FILE NAME =	USER NAME = ceerlockjd	DESIGNED -	REVISED -
ei:\pwork\pwork\ceerlockjd\0388189\0370843-sht-dblprf_20.dgn		DRAWN -	REVISED -
	PLOT SCALE = 40.0000' / in.	CHECKED -	REVISED -
	PLOT DATE = 4/10/2014	DATE -	REVISED -

STATE OF ILLINOIS
DEPARTMENT OF TRANSPORTATION

PLAN SHEET

SCALE: SHEET NO. 15 OF 15 SHEETS STA. 65+00 TO STA. 74+28.43

F.A.P. RTE.	SECTION	COUNTY	TOTAL SHEETS	SHEET NO.
741	(7,Z)RS-3	Platt	63	53
CONTRACT NO. 70843			ILLINOIS FED. AID PROJECT	