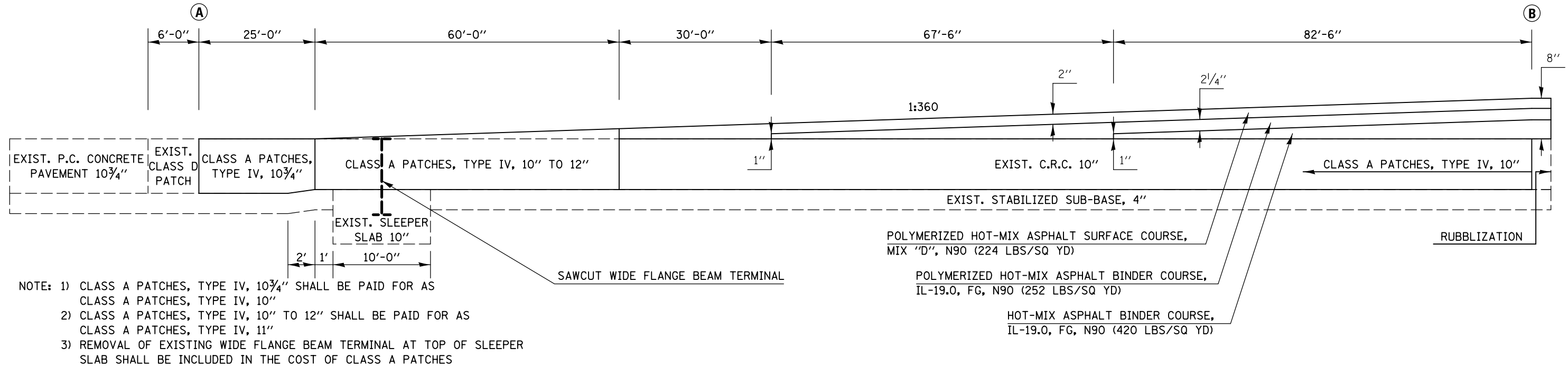


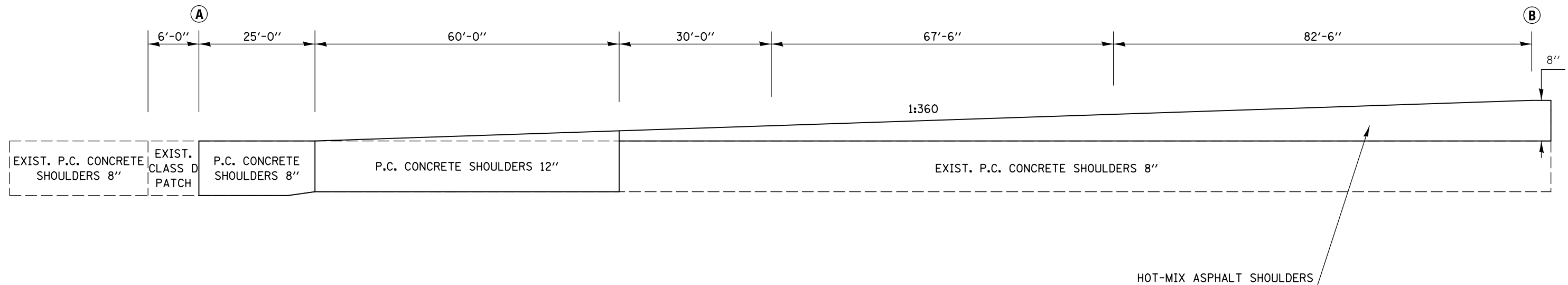
DETAIL FOR I-39 PATCHING AND PAVING TRANSITIONS

(A) SOUTHBOUND (B)
 STATION TO STATION
 BEGINNING OF SB PROJECT 234+91.00 237+56.00



DETAIL FOR I-39 SHOULDER PATCHING AND PAVING TRANSITIONS

(A) SOUTHBOUND (B)
 STATION TO STATION
 BEGINNING OF SB PROJECT 234+91.00 237+56.00



PORTLAND CEMENT CONCRETE SURFACE REMOVAL - BUTT JOINT

FILE NAME =	USER NAME = bergenej	DESIGNED - AJB	REVISED -	STATE OF ILLINOIS DEPARTMENT OF TRANSPORTATION	MILLING AND PAVING TRANSITION DETAILS	F.A.I. RTE. =	SECTION	COUNTY	TOTAL SHEETS	SHEET NO.
et:\pwork\pwork\bergenej\0373050\0570428-SHT-DETAILS.dgn	DRAWN - AJB 6/21/2012	REVISED -	REVISED -			39	57(2,3)R	McLean	214	67
PLOT SCALE = 40.0000' / in.	CHECKED -	REVISED -	REVISED -			CONTRACT NO. 70A28				
PLOT DATE = 3/18/2014	DATE -	REVISED -	REVISED -			ILLINOIS FED. AID PROJECT				

SCALE: SHEET 6 OF 9 SHEETS STA. TO STA.