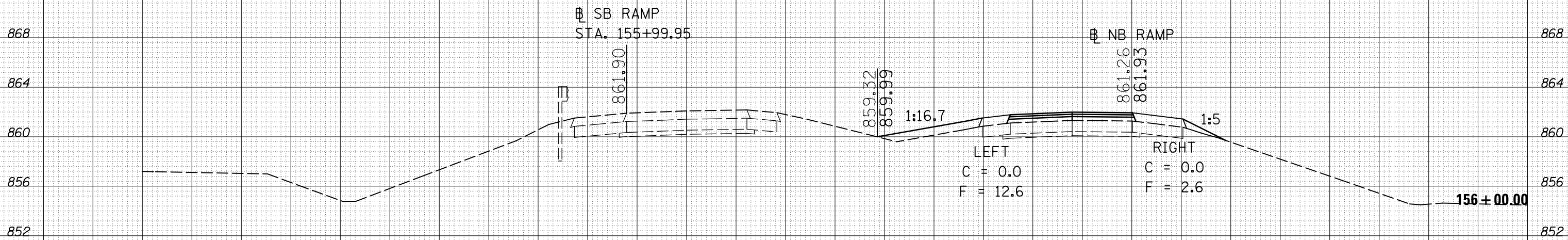


220 210 200 190 180 170 160 150 140 130 120 110 100 90 80 70 60 50 40 30 20 10 0 10 20 30 40 50 60 70 80

DATE	
BY	
FINAL SURVEY	SURVEYED
NOTE BOOK	PLOTTED
NO.	TEMPLATE
	AREAS CHECKED

DATE	
BY	
ORIGINAL SURVEY	SURVEYED
NOTE BOOK	PLOTTED
NO.	TEMPLATE
	AREAS CHECKED



220 210 200 190 180 170 160 150 140 130 120 110 100 90 80 70 60 50 40 30 20 10 0 10 20 30 40 50 60 70 80

FILE NAME = c:\pw\_work\pwidot\berganaj\d8373050\0570A28-SH

USER NAME = berganaj  
 T-XS-NB-139\_Location\_1.dgn  
 PLOT SCALE = 20.0000' / in.  
 PLOT DATE = 3/18/2014

DESIGNED -  
 DRAWN -  
 CHECKED -  
 DATE -

REVISED -  
 REVISED -  
 REVISED -  
 REVISED -

STATE OF ILLINOIS  
 DEPARTMENT OF TRANSPORTATION

CROSS SECTIONS  
 NORTH BOUND RAMP  
 SCALE: SHEET 64 OF 64 SHEETS STA. 156+00 TO STA. 156+00

F.A.I. RTE.	SECTION	COUNTY	TOTAL SHEETS	SHEET NO.
39	57(2,3)R	McLean	214	143
CONTRACT NO. 70A28			ILLINOIS FED. AID PROJECT	