

**STATE OF ILLINOIS**  
**DEPARTMENT OF TRANSPORTATION**  
**DIVISION OF HIGHWAYS**  
**PROPOSED**  
**CONTRACT MAINTENANCE**

FOR INDEX OF SHEETS, SEE SHEET NO. 2

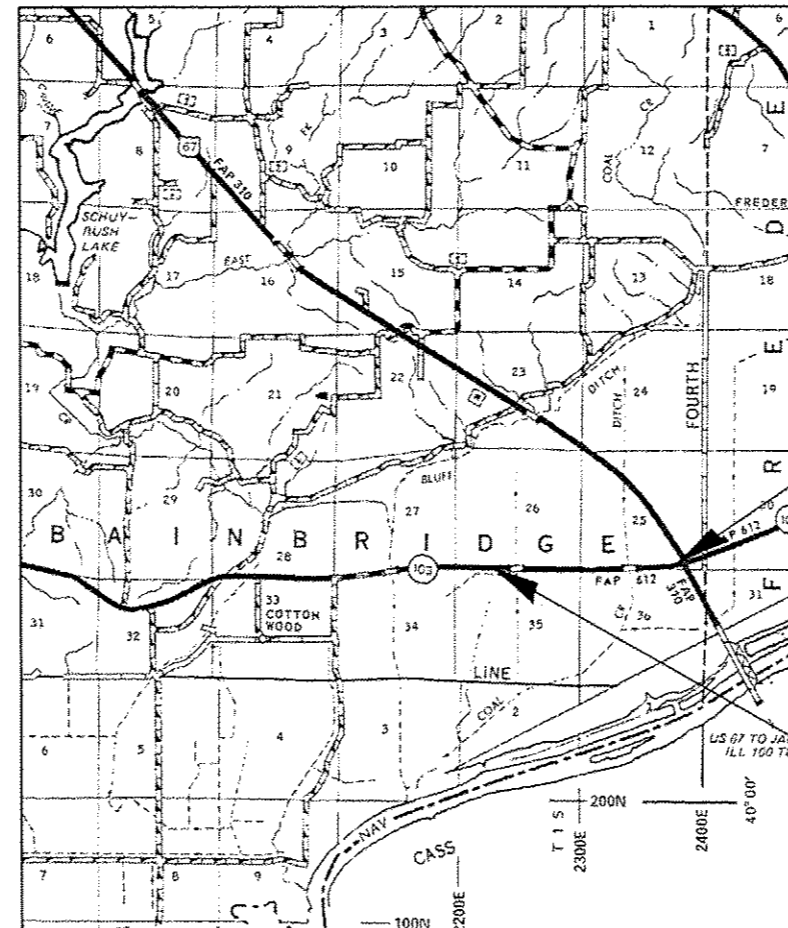
**FAP 612 (IL 103)**  
**SECTION (101) RS-10**

**SCHUYLER COUNTY**

F.A.P. RTE.	SECTION	COUNTY	TOTAL SHEETS	SHEET NO.
612	(101) RS-10	SCHUYLER	6	1
FED. ROAD DIST. NO.	ILLINOIS	CONTRACT NO.	72G44	



C-96-008-14  
R 1 W

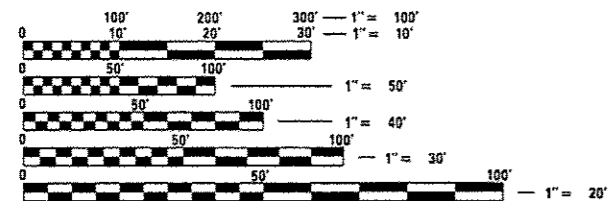


**END PROJECT**  
**STA. 14 + 623.846**

**BEGIN PROJECT**  
**STA. 11 + 887.961**

GROSS LENGTH = 8,976.00 FT. = 1.700 MILE

ADT = 650  
 SU = 30  
 MU = 60



FULL SIZE PLANS HAVE BEEN PREPARED USING STANDARD ENGINEERING SCALES. REDUCED SIZED PLANS WILL NOT CONFORM TO STANDARD SCALES. IN MAKING MEASUREMENTS ON REDUCED PLANS, THE ABOVE SCALES MAY BE USED.

J.U.L.I.E.  
 JOINT UTILITY LOCATION INFORMATION FOR EXCAVATION  
 1-800-892-0123  
 OR 811

**PLAN AND CONTRACT TECHNICIAN**  
**TIMOTHY SHARP (217)782-7743**

**CONTRACT NO. 72G44**

STATE OF ILLINOIS  
 DEPARTMENT OF TRANSPORTATION  
 DIVISION OF HIGHWAYS

SUBMITTED March 24 20 14

*Roger Z. Smith*  
 DEPUTY DIRECTOR OF HIGHWAYS, REGION ENGINEER

May 9 20 14  
*John D. Baranzelli, PE, PE*  
 ENGINEER OF DESIGN AND ENVIRONMENT

May 9 20 14  
*Omer Osman, PE, PE*  
 DIRECTOR OF HIGHWAYS, CHIEF ENGINEER

**PRINTED BY THE AUTHORITY**  
**OF THE STATE OF ILLINOIS**

INDEX OF SHEETS

1. COVER
2. INDEX OF SHEETS, GENERAL NOTES, AND HIGHWAY STANDARDS
3. SUMMARY OF QUANTITIES
4. PLAN
5. TYPICAL SECTIONS
6. SCHEDULES

HIGHWAY STANDARDS

- 701001-02 OFF-RD OPERATIONS, 2L, 2W, MORE THAN 15' AWAY FROM EDGE OF PAVEMENT  
 701006-05 OFF-RD OPERATIONS, 2L, 2W, 15' TO 24" FROM EDGE OF PAVEMENT  
 701011-04 OFF-RD MOVING OPERATIONS, 2L, 2W, DAY ONLY  
 701301-04 LANE CLOSURE, 2L, 2W, SHORT TIME OPERATIONS  
 701306-03 LANE CLOSURE, 2L, 2W, SLOW MOVING OPERATION DAY ONLY, FOR SPEEDS > 45 MPH  
 701311-03 LANE CLOSURE, 2L, 2W, MOVING OPERATIONS DAY ONLY  
 701901-03 TRAFFIC CONTROL DEVICES

GENERAL NOTES

1. ANY REFERENCE TO THE STANDARDS THROUGHOUT THE PLANS SHALL BE INTERPRETED TO BE THE LATEST STANDARDS OF THE DEPARTMENT AS INCLUDED IN THE PLANS.

MIXTURE REQUIREMENTS	
THE FOLLOWING MIXTURE REQUIREMENTS ARE APPLICABLE FOR THIS PROJECT	
MIXTURE USE(S):	H.M.A. SURFACE
AC/PG:	PG 64-22
DESIGN AIR VOIDS:	4.0% @ N50
MIXTURE COMPOSITION:	IL 9.5
FRICTION AGGREGATE:	MIX C
QUALITY MANAGEMENT:	QC/QA

STATE OF ILLINOIS DEPARTMENT OF TRANSPORTATION DIVISION OF HIGHWAYS DISTRICT 6	
EXAMINED	March 21 20 14 <i>Michael P. [Signature]</i> for Regent Driskell ENGINEER OF OPERATIONS
EXAMINED	MARCH 4 20 14 <i>[Signature]</i> ENGINEER OF PROJECT IMPLEMENTATION
EXAMINED	March 6 20 14 <i>2RML-1</i> ENGINEER OF PROGRAM DEVELOPMENT

CODE NO.	ITEM	UNIT	TOTAL QUANTITY	CONSTR. CODE	
				100% STATE	
				ROADWAY 0005	S. N.
40600200	BITUMINOUS MATERIALS (PRIME COAT)	TON	9.9	9.9	
40600300	AGGREGATE (PRIME COAT)	TON	51.9	51.9	
40600990	TEMPORARY RAMP	SQ YD	349	349	
40603310	HOT-MIX ASPHALT SURFACE COURSE, MIX C, N50	TON	2,905	2,905	
44000157	HOT-MIX ASPHALT SURFACE REMOVAL, 2"	SQ YD	25,931	25,931	
48102100	AGGREGATE WEDGE SHOULDERS, TYPE B	TON	427	427	
67100100	MOBILIZATION	L SUM	1	1	

CODE NO.	ITEM	UNIT	TOTAL QUANTITY	CONSTR. CODE	
				100% STATE	
				ROADWAY 0005	S. N.
70100460	TRAFFIC CONTROL AND PROTECTION, STANDARD 701306	L SUM	1	1	
70300100	SHORT-TERM PAVEMENT MARKING	FOOT	1,800	1,800	
70300230	TEMPORARY PAVEMENT MARKING - LINE 5"	FOOT	20,202	20,202	
70301000	WORK ZONE PAVEMENT MARKING REMOVAL	SQ FT	300	300	
* 78001120	PAINT PAVEMENT MARKING - LINE 5"	FOOT	20,202	20,202	
* 78100100	RAISED REFLECTIVE PAVEMENT MARKER	EACH	113	113	
78300200	RAISED REFLECTIVE PAVEMENT MARKER REMOVAL	EACH	113	113	

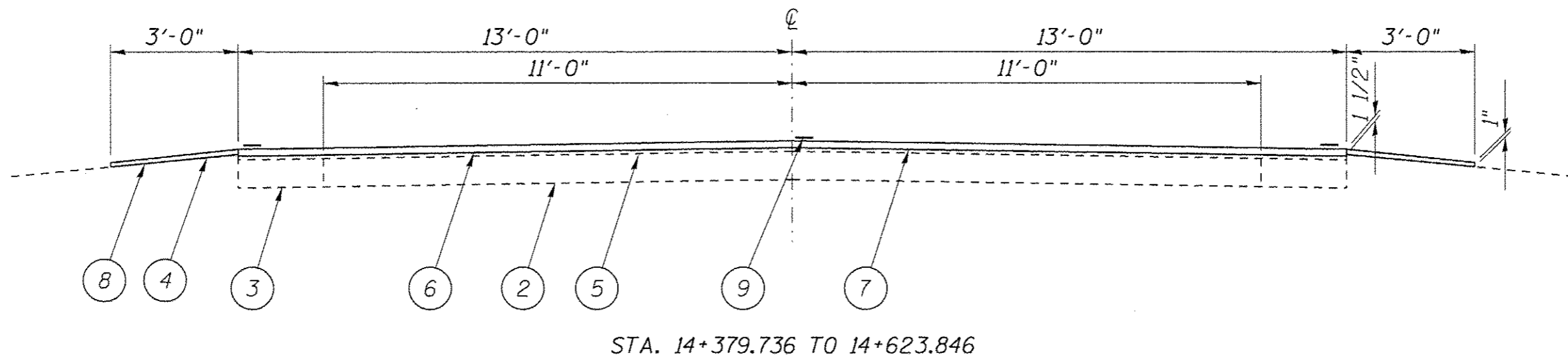
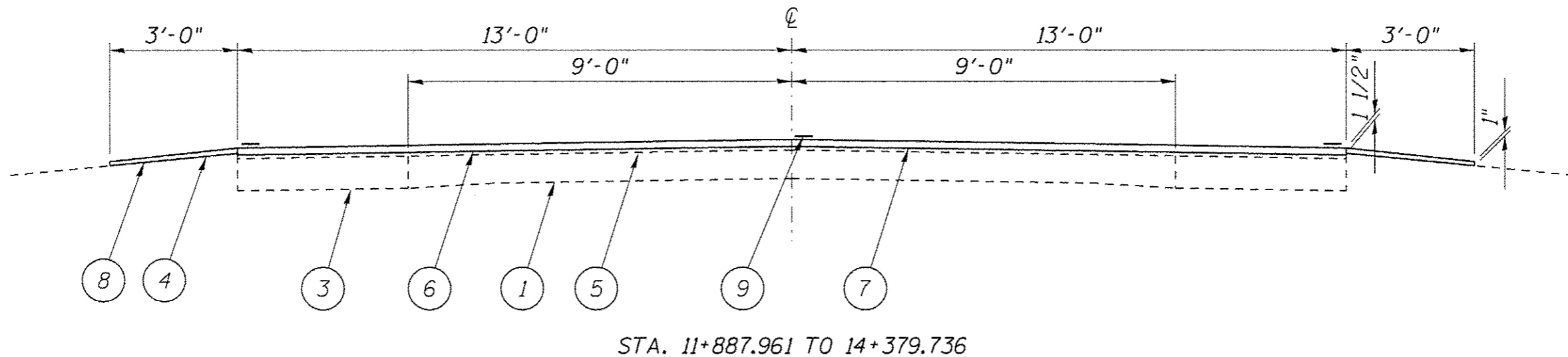
\* SPECIALTY ITEM



BEGIN PROJECT  
STA. 11+887.961

END PROJECT  
STA. 14+623.846

FILE NAME :	USER NAME :	DESIGNED -	REVISED -	<b>STATE OF ILLINOIS DEPARTMENT OF TRANSPORTATION</b>	<b>PLAN</b>		F.A.P. RTE.	SECTION	COUNTY	TOTAL SHEETS	SHEET NO.	
ci\pwwork\pwwork\sherpst\d0358726\0672	sherpst	DRAWN -	REVISED -				612	(101) RS-10	SCHUYLER	6	4	
Default	PLOT SCALE :	CHECKED -	REVISED -		SCALE:	SHEET	OF	SHEETS	STA.	TO STA.	ILLINOIS FED. AID PROJECT CONTRACT NO. 72C44	
	PLOT DATE :	DATE -	REVISED -									



**LEGEND**

- 1- EXIST. P.C.C. PAVEMENT 9-6-9
- 2- EXIST. P.C.C. BASE COURSE 8"
- 3- EXIST. H.M.A BASE COURSE WIDENING 9"
- 4- EXIST. AGGREGATE SHOULDER
- 5- EXIST. H.M.A. SURFACE COURSE
- 6- PROP. H.M.A. SURFACE REMOVAL 2"
- 7- PROP. H.M.A. SURFACE COURSE, MIX C, N50 2"
- 8- PROP. AGGREGATE WEDGE SHOULDERS, TYPE B
- 9- PROP. PAINT PAVEMENT MARKING - LINE 5"

FILE NAME *	USER NAME * sherpst	DESIGNED -	REVISED -	<b>STATE OF ILLINOIS DEPARTMENT OF TRANSPORTATION</b>	<b>TYPICAL SECTION</b>	F.A.P. RTE.	SECTION	COUNTY	TOTAL SHEETS	SHEET NO.
c:\work\pwidot\sherpst\08258786\08258786.dgn	44-shr-typical.dgn	DRAWN -	REVISED -			612	(101) RS-10	SCHUYLER	6	5
SHT_PLAN	PLOT SCALE * 3/8" = 1' / in.	CHECKED -	REVISED -		SCALE: _____				CONTRACT NO. 72G44	
	PLOT DATE * Mar-21-2014 10:10:24AM	DATE -	REVISED -		SHEET -	OF - 1	SHEETS	STA. _____	TO STA. _____	
ILLINOIS FED. AID PROJECT										

PAVEMENT MARKING SCHEDULE			
STATION	TYPE	PAINT PAV'T	
		MRK - LINE 5"	
		YELLOW	WHITE
STA. 11+887.961 TO 14+623.846	SKIP DASH	2,250 FT.	
RT. & LT. 11+887.961 TO 14+623.846	EDGE LINE		17,952 FT.
<b>TOTALS</b>		<b>2,250 FT.</b>	<b>17,952 FT.</b>

FILE NAME *	USER NAME * shorptd	DESIGNED -	REVISED -	<b>STATE OF ILLINOIS DEPARTMENT OF TRANSPORTATION</b>	<b>SCHEDULE OF QUANTITIES</b>				F.A.P. RTE.	SECTION	COUNTY	TOTAL SHEETS	SHEET NO.
c:\pwwork\pwwork\shorptd\0358726\0872	444-sht-schedule.dgn	DRAWN -	REVISED -						612	(101) RS-10	SCHUYLER	6	6
Default	PLOT SCALE * 1/8" = 1' / in.	CHECKED -	REVISED -		SCALE: SHEET OF SHEETS STA. TO STA.				ILLINOIS FED. AID PROJECT				
	PLOT DATE * Mar-21-2014 10:11:06AM	DATE -	REVISED -										