

STATE OF ILLINOIS
DEPARTMENT OF TRANSPORTATION
DIVISION OF HIGHWAYS
**PROPOSED
CONTRACT MAINTENANCE**

FOR INDEX OF SHEETS, SEE SHEET NO. 2

SBI 96 (MAIN ST/WARSAW RD)
SECTION (123) RS-7

HANCOCK COUNTY

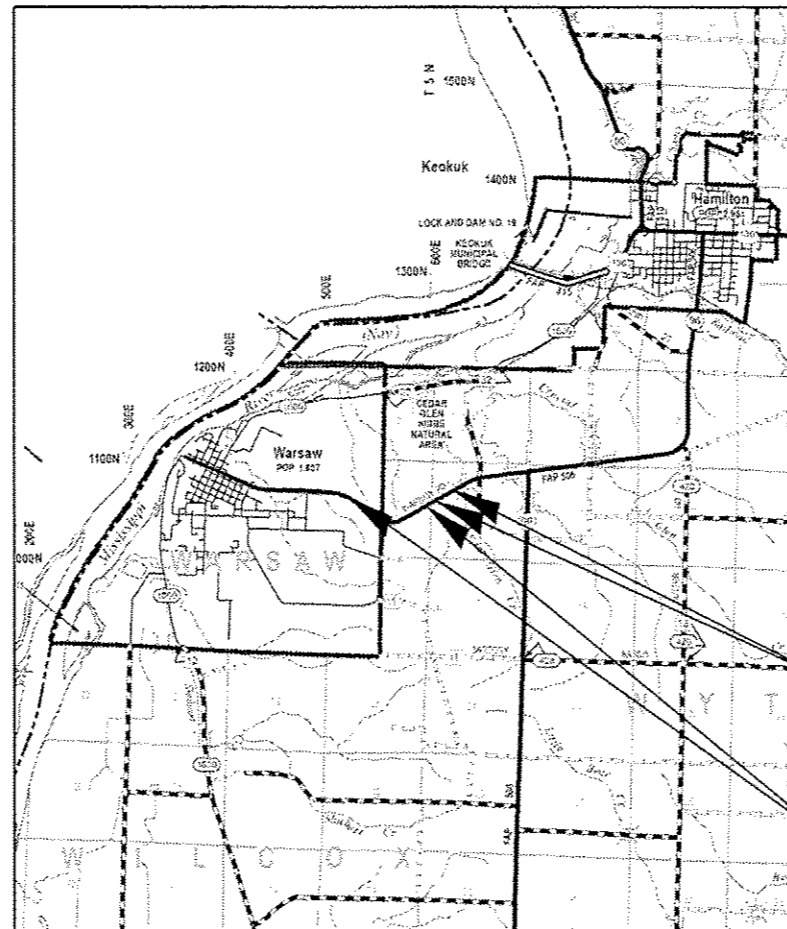
S.B.I. RTE.	SECTION	COUNTY	TOTAL SHEETS	SHEET NO.
96	(123) RS-7	HANCOCK	8	1
FED. ROAD DIST. NO.		ILLINOIS	CONTRACT NO. 72G67	

D-96-037-14



C-96-037-14

R 9 W



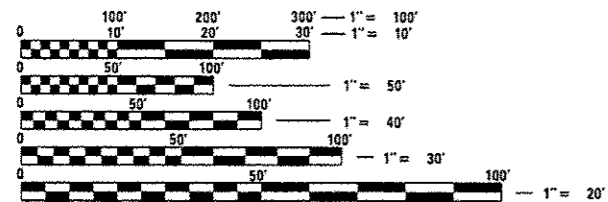
T 4 N

LOCATION #2
STA. 147+50 TO 168+00

LOCATION #1
STA. 88+50 TO 135+00

LOCATION #1 GROSS LENGTH = 4,650.00 FT. = 0.881 MILE
LOCATION #2 GROSS LENGTH = 2,050.00 FT. = 0.388 MILE

ADT = 650
SU = 30
MU = 60



FULL SIZE PLANS HAVE BEEN PREPARED USING STANDARD ENGINEERING SCALES. REDUCED SIZED PLANS WILL NOT CONFORM TO STANDARD SCALES. IN MAKING MEASUREMENTS ON REDUCED PLANS, THE ABOVE SCALES MAY BE USED.

J.U.L.I.E.
JOINT UTILITY LOCATION INFORMATION FOR EXCAVATION
1-800-892-0123
OR 811

PLAN AND CONTRACT TECHNICIAN
TIMOTHY SHARP (217)782-7743

CONTRACT NO. 72G67

STATE OF ILLINOIS
DEPARTMENT OF TRANSPORTATION
DIVISION OF HIGHWAYS

SUBMITTED April 2 20 14
Ray 2 Dalky
DEPUTY DIRECTOR OF HIGHWAYS, REGION ENGINEER

May 9 20 14
John D. Baranzelli, P.E.
ENGINEER OF DESIGN AND ENVIRONMENT

May 9 20 14
Orker Osman, P.E.
DIRECTOR OF HIGHWAYS, CHIEF ENGINEER

**PRINTED BY THE AUTHORITY
OF THE STATE OF ILLINOIS**

INDEX OF SHEETS

1. COVER
2. INDEX OF SHEETS, GENERAL NOTES, AND HIGHWAY STANDARDS
3. SUMMARY OF QUANTITIES
4. PLAN
- 5-7. TYPICAL SECTIONS
8. SCHEDULES

HIGHWAY STANDARDS

- 442201-03 CLASS C AND D PATCHES
- 701001-02 OFF-RD OPERATIONS, 2L, 2W, MORE THAN 15' AWAY FROM EDGE OF PAVEMENT
- 701006-05 OFF-RD OPERATIONS, 2L, 2W, 15' TO 24" FROM EDGE OF PAVEMENT
- 701011-04 OFF-RD MOVING OPERATIONS, 2L, 2W, DAY ONLY
- 701201-04 LANE CLOSURE, 2L, 2W, DAY ONLY, FOR SPEEDS > 45 MPH
- 701301-04 LANE CLOSURE, 2L, 2W, SHORT TIME OPERATIONS
- 701306-03 LANE CLOSURE, 2L, 2W, SLOW MOVING OPERATION DAY ONLY, FOR SPEEDS > 45 MPH
- 701326-04 LANE CLOSURE, 2L, 2W, PAVEMENT WIDENING > 45 MPH
- 701311-03 LANE CLOSURE, 2L, 2W, MOVING OPERATIONS DAY ONLY
- 701901-03 TRAFFIC CONTROL DEVICES

GENERAL NOTES

1. ANY REFERENCE TO THE STANDARDS THROUGHOUT THE PLANS SHALL BE INTERPRETED TO BE THE LATEST STANDARDS OF THE DEPARTMENT AS INCLUDED IN THE PLANS.

MIXTURE REQUIREMENTS		
THE FOLLOWING MIXTURE REQUIREMENTS ARE APPLICABLE FOR THIS PROJECT		
MIXTURE USE(S):	SURFACE	BASE COURSE WIDENING
AC/PG:	PG 64-22	PG 64-22
DESIGN AIR VOIDS:	4.0% @ N50	4.0% @ N50
MIXTURE COMPOSITION:	IL 9.5	IL 19.0
FRICITION AGGREGATE:	MIX C	N/A
QUALITY MANAGEMENT:	QC/QA	QC/QA

**STATE OF ILLINOIS
DEPARTMENT OF TRANSPORTATION
DIVISION OF HIGHWAYS
DISTRICT 6**

EXAMINED March 31 20 14
Mitchell P. Forrester, DMS/KSI
 ENGINEER OF OPERATIONS

EXAMINED MARCH 27 20 14
[Signature]
 ENGINEER OF PROJECT IMPLEMENTATION

EXAMINED March 18 20 14
2RMLY
 ENGINEER OF PROGRAM DEVELOPMENT

CODE NO.	ITEM	UNIT	TOTAL QUANTITY	LOCATION #1	LOCATION #2
				CONSTR. CODE	CONSTR. CODE
				100% STATE	100% STATE
				ROADWAY 0005 S.N.	ROADWAY 0005 S.N.
35600712	HOT-MIX ASPHALT BASE COURSE WIDENING 9"	SO YD	467	0	467
40600200	BITUMINOUS MATERIALS (PRIME COAT)	TON	4.4	4.2	0.2
40600300	AGGREGATE (PRIME COAT)	TON	22.8	22.0	0.8
40600895	CONSTRUCTING TEST STRIP	EACH	1	0.5	0.5
40600990	TEMPORARY RAMP	SO YD	32.7	32.7	0
40603310	HOT-MIX ASPHALT SURFACE COURSE, MIX C, N50	TON	1,272.5	1,232	40.5
44000100	PAVEMENT REMOVAL	SO YD	323	0	323
44000157	HOT-MIX ASPHALT SURFACE REMOVAL 2"	SO YD	10,992	10,992	0
44000400	GUTTER REMOVAL	FOOT	600	0	600
44201373	CLASS C PATCHES, TYPE I, 12 INCH	SO YD	250	250	0
44201377	CLASS C PATCHES, TYPE II, 12 INCH	SO YD	250	250	0

CODE NO.	ITEM	UNIT	TOTAL QUANTITY	LOCATION #1	LOCATION #2
				CONSTR. CODE	CONSTR. CODE
				100% STATE	100% STATE
				ROADWAY 0005 S.N.	ROADWAY 0005 S.N.
48101200	AGGREGATE SHOULDERS, TYPE B	TON	205	177	28
67100100	MOBILIZATION	L SUM	1	0.5	0.5
70100450	TRAFFIC CONTROL AND PROTECTION, STANDARD 701201	L SUM	1	0.5	0.5
70100460	TRAFFIC CONTROL AND PROTECTION, STANDARD 701306	L SUM	1	0.5	0.5
70100500	TRAFFIC CONTROL AND PROTECTION, STANDARD 701326	L SUM	1	0	1
70300100	SHORT-TERM PAVEMENT MARKING	FOOT	936	936	0
70300230	TEMPORARY PAVEMENT MARKING - LINE 5"	FOOT	16,452	14,402	2,050
70301000	WORK ZONE PAVEMENT MARKING REMOVAL	SO FT	312	312	0
* 78001120	PAINT PAVEMENT MARKING - LINE 5"	FOOT	16,452	14,402	2,050
* 78100100	RAISED REFLECTIVE PAVEMENT MARKER	EACH	52	52	0
78300200	RAISED REFLECTIVE PAVEMENT MARKER REMOVAL	EACH	52	52	0

* SPECIALTY ITEM

10

11

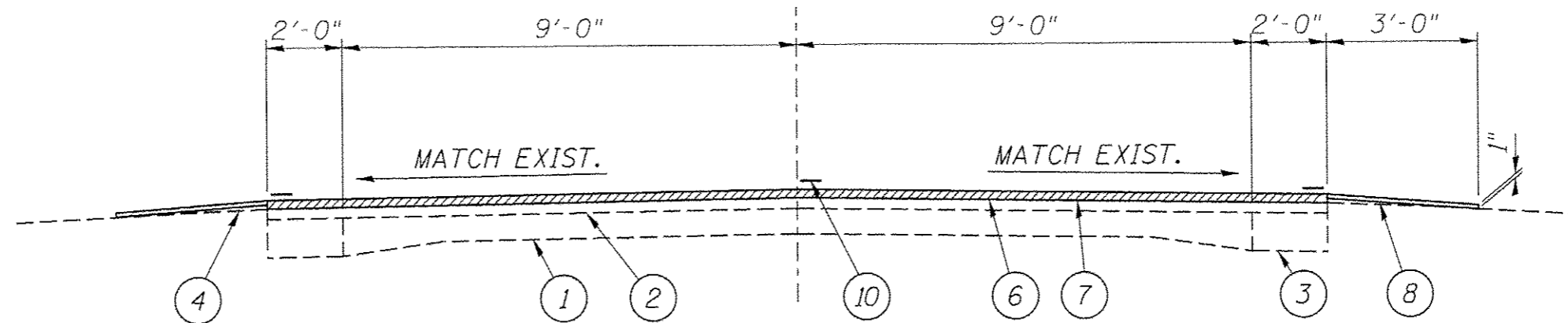
FILE NAME : c:\pwork\puidat\sherptd\0206886\0672	USER NAME : sherptd 067-eh1-500.dgn	DESIGNED - DRAWN -	REVISED - REVISED -	STATE OF ILLINOIS DEPARTMENT OF TRANSPORTATION	SUMMARY OF QUANTITIES	S.B.I. RTE. 96	SECTION (123) RS-7	COUNTY HANCOCK	TOTAL SHEETS 8	SHEET NO. 3	
PLOT SCALE : 3/8" = 1' / in.	CHECKED -	REVISED -	SCALE: _____			SHEET _____ OF _____ SHEETS	STA. _____ TO STA. _____	ILLINOIS FED. AID PROJECT			
PLOT DATE : Mar-31-2014 8:37:53AM	DATE -	REVISED -	CONTRACT NO. 72067								
SHT.PLAN											



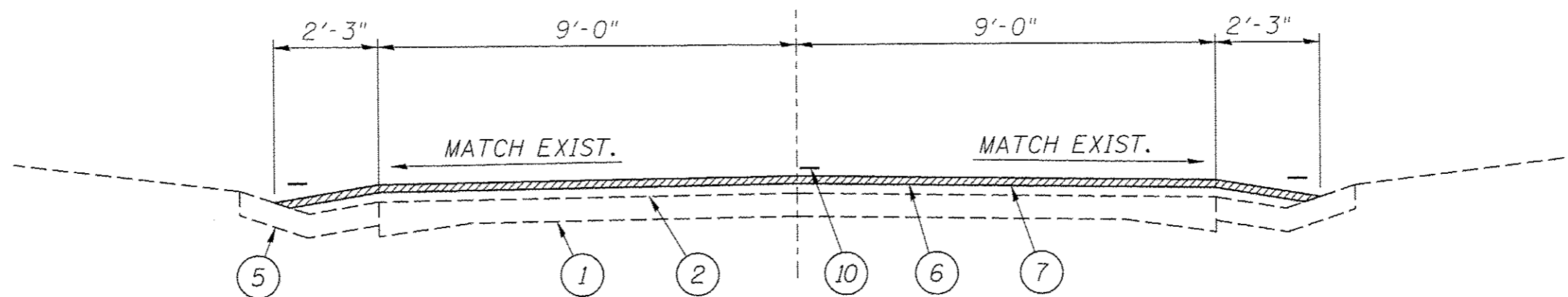
LOCATION #1
STA. 88+50 TO 135+00

LOCATION #2
STA. 147+50 TO 168+00

FILE NAME :	USER NAME :	DESIGNED -	REVISED -	STATE OF ILLINOIS DEPARTMENT OF TRANSPORTATION	PLAN		S.B.I. RTE.	SECTION	COUNTY	TOTAL SHEETS	SHEET NO.
c:\pwork\psidot\sharptd\0366885\0672	sharptd	DRAWN -	REVISED -				96	(123) RS-7	HANCOCK	8	4
Default		CHECKED -	REVISED -		SCALE: SHEET _ OF _ SHEETS STA. _ TO STA. _		CONTRACT NO. 72667				
		DATE -	REVISED -		ILLINOIS FED. AID PROJECT						



STA. 97+35 TO 135+00

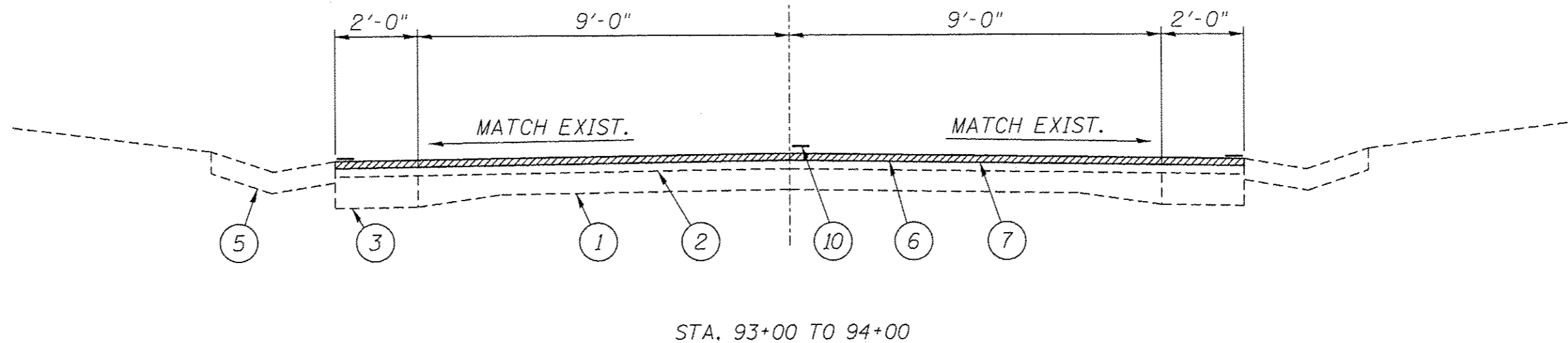


STA. 88+50 TO 93+00
STA. 94+00 TO 97+35

LEGEND

- 1 - EXIST. P.C.C. PAVEMENT
- 2 - EXIST. HOT-MIX ASPHALT SURFACE
- 3 - EXIST. BASE COURSE WIDENING
- 4 - EXIST. AGGREGATE SHOULDERS
- 5 - EXIST. TYPE A GUTTER
- 6 - PROP. HOT-MIX ASPHALT SURFACE REMOVAL 2"
- 7 - PROP. HOT-MIX ASPHALT SURFACE COURSE, MIX C, N50 2"
- 8 - PROP. AGGREGATE SHOULDERS, TYPE B
- 9 - PROP. PAVEMENT REMOVAL
- 10 - PROP. PAINT PAVEMENT MARKING - LINE 5"
- 11 - PROP. HOT-MIX ASPHALT BASE COURSE WIDENING 9"
- 12 - PROP. GUTTER REMOVAL

FILE NAME : c:\pwwork\pawid\sharptd\0366006\0672267-shl-5-6-7-11.psd.dgn	USER NAME : sharptd	DESIGNED -	REVISED -	STATE OF ILLINOIS DEPARTMENT OF TRANSPORTATION	TYPICAL SECTION			S.B.I. RTE.	SECTION	COUNTY	TOTAL SHEETS	SHEET NO.
	PLT SCALE : 3/8" = 1' - 0"	CHECKED -	REVISED -					96	(123) RS-7	HANCOCK	8	5
SHT_PLAN	DATE -	REVISED -	SCALE: _____ SHEET - _____ OF 1 SHEETS STA. _____ TO STA. _____		CONTRACT NO. 72667							
PLT DATE : Mar-24-2014 8:43:47AM	DATE -	REVISED -	ILLINOIS FED. AID PROJECT									



LEGEND

- 1 - EXIST. P.C.C. PAVEMENT
- 2 - EXIST. HOT-MIX ASPHALT SURFACE
- 3 - EXIST. BASE COURSE WIDENING
- 4 - EXIST. AGGREGATE SHOULDERS
- 5 - EXIST. TYPE A GUTTER
- 6 - PROP. HOT-MIX ASPHALT SURFACE REMOVAL 2"
- 7 - PROP. HOT-MIX ASPHALT SURFACE COURSE, MIX C, N50 2"
- 8 - PROP. AGGREGATE SHOULDERS, TYPE B
- 9 - PROP. PAVEMENT REMOVAL
- 10 - PROP. PAINT PAVEMENT MARKING - LINE 5"
- 11 - PROP. HOT-MIX ASPHALT BASE COURSE WIDENING 9"
- 12 - PROP. GUTTER REMOVAL

FILE NAME *	USER NAME * shertd	DESIGNED -	REVISED -	STATE OF ILLINOIS DEPARTMENT OF TRANSPORTATION	TYPICAL SECTION		S.B.I. RTE.	SECTION	COUNTY	TOTAL SHEETS	SHEET NO.
ci:\p\work\p\idos\shertd\0366086\0672067-aht-5-6-7-typico1.dgn	DRAWN -	REVISED -	REVISED -		96	(123) RS-7	HANCOCK	8	6		
SHT_PLAN	PLOT SCALE * 3/8" = 1'	CHECKED -	REVISED -		SCALE: SHEET OF 1 SHEETS STA. TO STA.		CONTRACT NO. 72G67				
	PLOT DATE * Mar-17-2014 10:26:03AM	DATE -	REVISED -		ILLINOIS FED. AID PROJECT						

451 0 1 019A

PAVEMENT MARKING SCHEDULE			
STATION	TYPE	PAINT PAV'T	
		MRK - LINE 5"	
		YELLOW	WHITE
LOCATION #1			
STA. 88+50 TO 97+47	SKIP DASH	230 FT.	
RT. STA. 97+47 TO 104+19	SKIP DASH	180 FT.	
STA. 104+19 TO 112+332	SKIP DASH	200 FT.	
LT. STA. 112+33 TO 120+85	SKIP DASH	210 FT.	
RT. STA. 134+08 TO 135+00	SKIP DASH	20 FT.	
LT. STA. 97+47 TO 104+19	NO PASS	672 FT.	
RT. STA. 112+33 TO 120+85	NO PASS	852 FT.	
LT. & RT. STA. 120+85 TO 134+08	NO PASS	2,646 FT.	
LT. STA. 134+08 TO 135+00	NO PASS	92 FT.	
LT. & RT. STA. 88+50 TO 135+00	EDGE LINE		9,300 FT.
LOCATION #2			
LT. STA. 147+50 TO 168+00	SKIP DASH		2,050 FT.
TOTALS		5,102 FT.	11,350 FT.