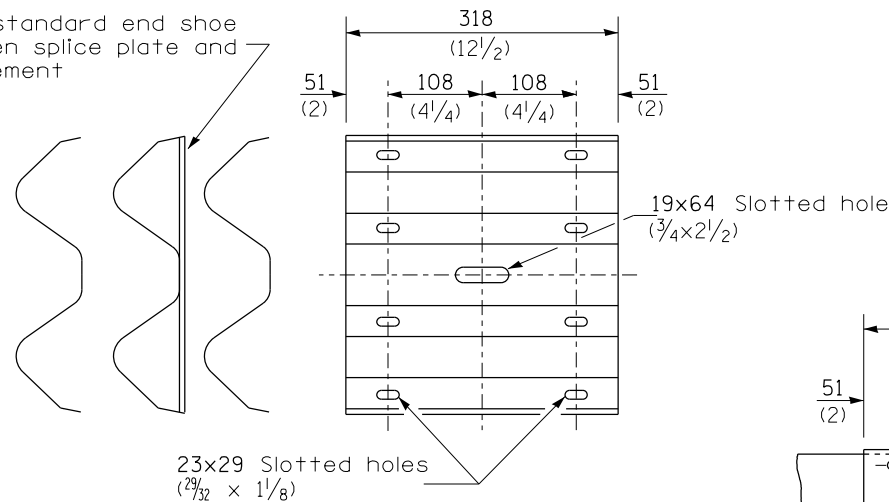
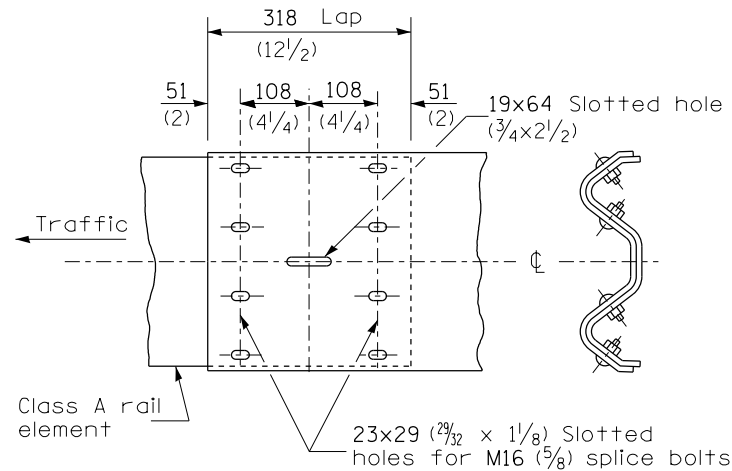


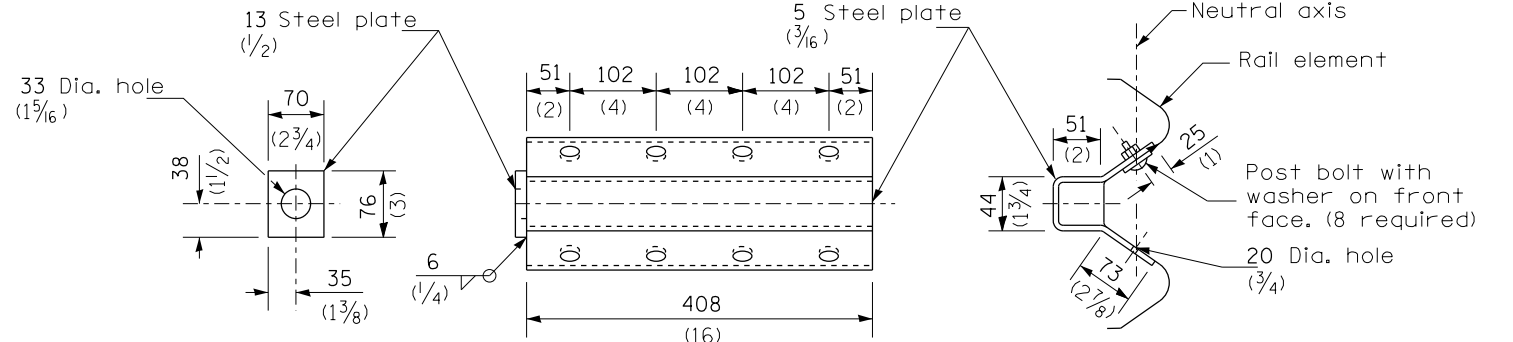
Place standard end shoe between splice plate and rail element



**SPLICE PLATE**

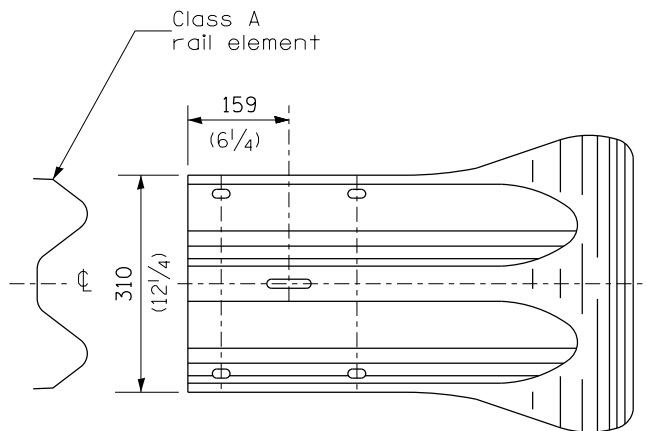
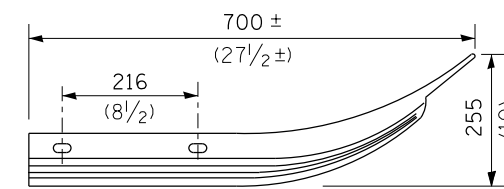


**RAIL ELEMENT SPLICE**

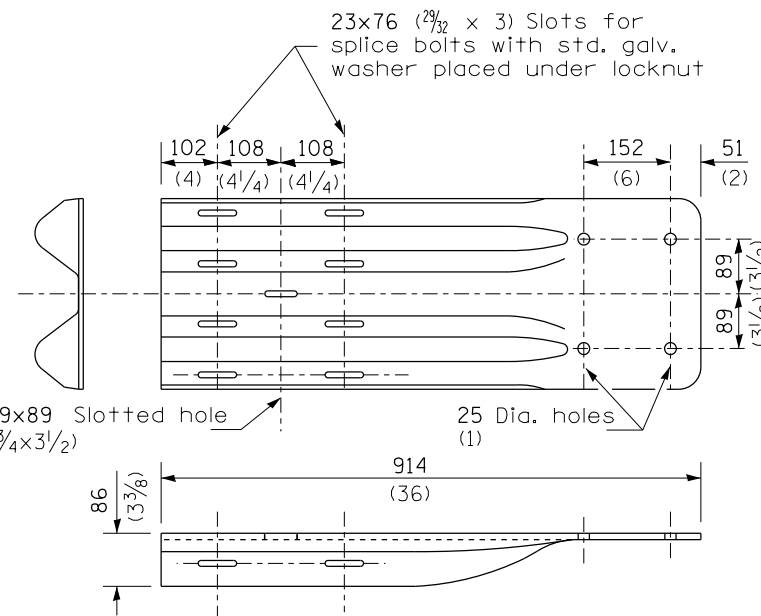


**NOTE**  
Anchor plate T shall be used to attach cable assembly to guardrail when required on traffic barrier terminals.

**ANCHOR PLATE T DETAILS**



**END SECTION**



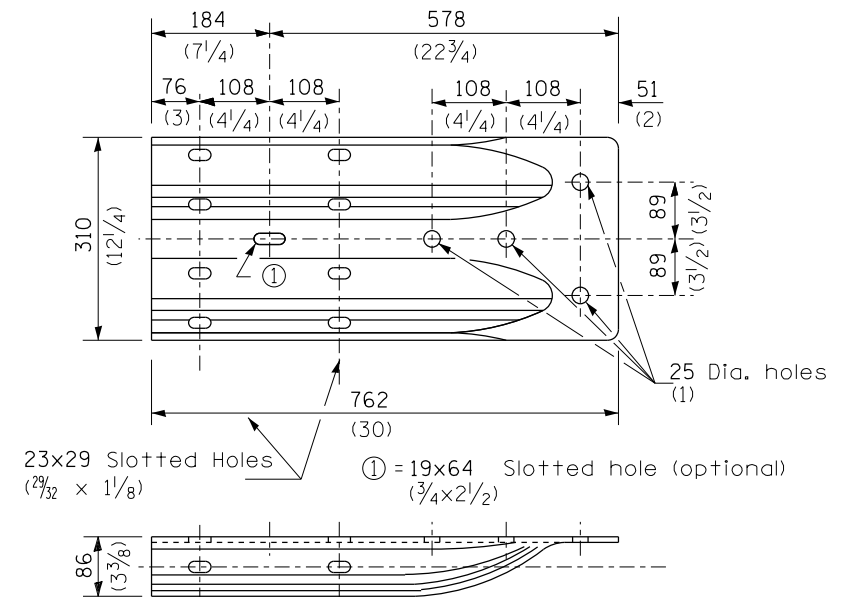
**NOTE**

When end shoe is attached to a bridge parapet which has an expansion joint, the bolts shall be provided with a locknut or double nut and shall be tightened only to a point that will allow guardrail movement.

The standard end shoe shall be attached to the concrete with pre-drilled or self-drilling anchor bolts. The anchor cone shall be set flush with the surface of the concrete.

Externally threaded studs protruding from the surface of the concrete will not be permitted.

**END SHOE**



**ALTERNATE END SHOE**

FILE NAME =	USER NAME = sparksgw	DESIGNED -	REVISED -	<b>STATE OF ILLINOIS DEPARTMENT OF TRANSPORTATION</b>	<b>PRE-MGS HIGHWAY STANDARD 630001-06 STEEL PLATE BEAM GUARDRAIL EFFECTIVE 4-1-06</b> (SHEET 3 OF 4)	F.A. RTE.	SECTION	COUNTY	TOTAL SHEETS	SHEET NO.
Default	72G82-sht-630001-06-SteelPlateBeamGuardrail.dgn	DRAWN -	REVISED -			VA	...	..	17	8
	PLOT SCALE = 26.0000' / in.	CHECKED -	REVISED -			CONTRACT NO. 72G82				
	PLOT DATE = Mar-27-2014 02:18:50PM	DATE -	REVISED -			ILLINOIS FED. AID PROJECT				