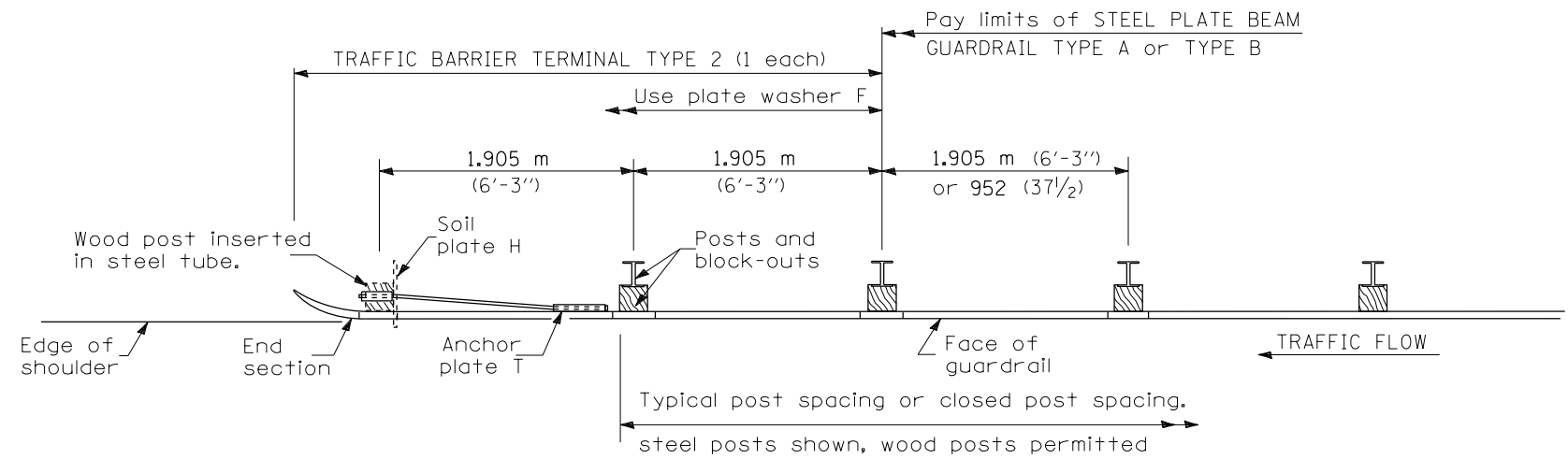
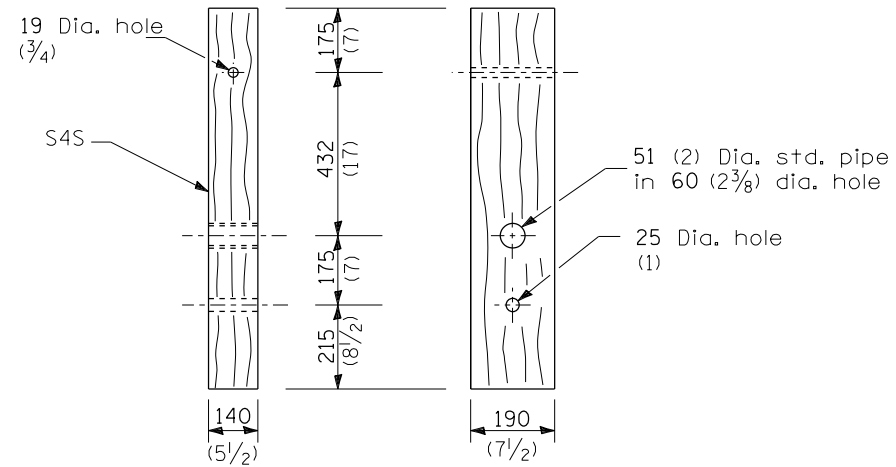


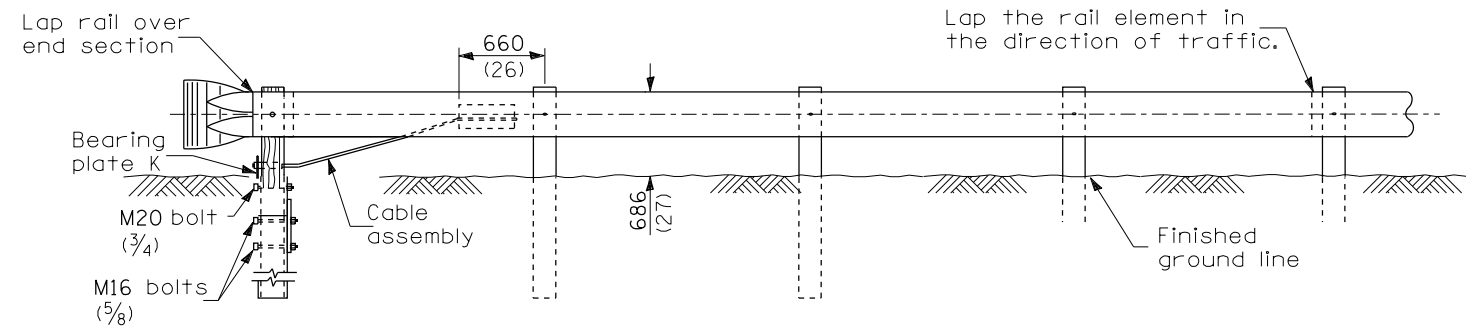
**BEARING PLATE K**



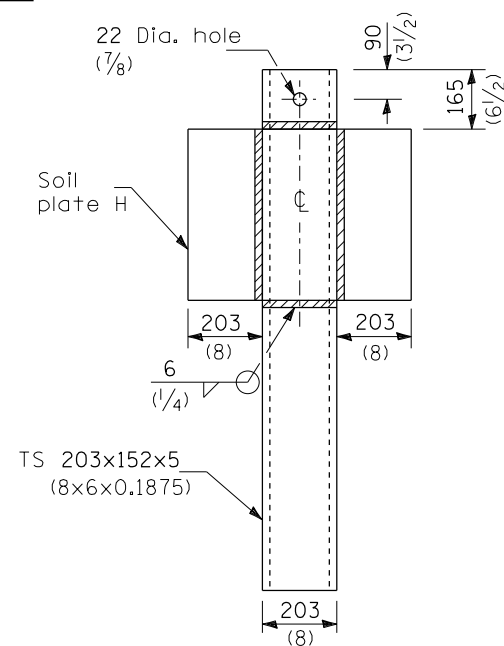
**PLAN**



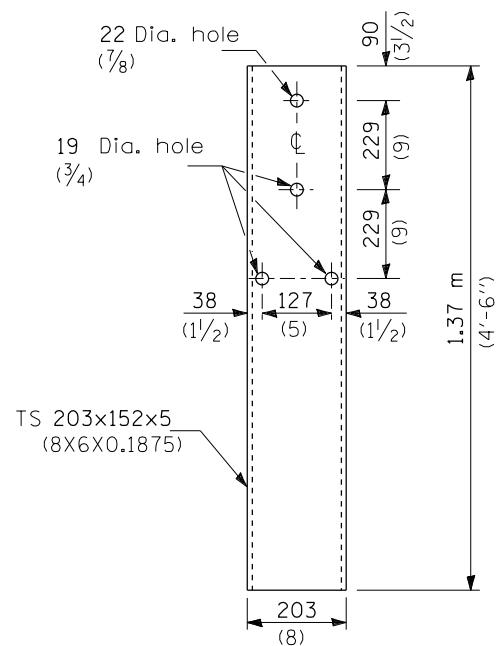
**WOOD POST**



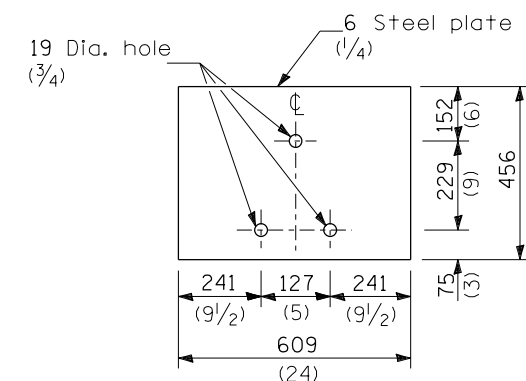
**ELEVATION**



**ALTERNATE SOIL PLATE CONNECTION**



**STEEL TUBE**



**SOIL PLATE H**

**GENERAL NOTES**

See Standard 630001 for details of guardrail not shown.

Use plate washer F at all posts.

The bearing plate K shall be held in position by (2) two eight penny nails driven into the post and bent over the top of the plate.

All dimensions are in millimeters (inches) unless otherwise shown.

FILE NAME =	USER NAME = sparksgw	DESIGNED -	REVISED -
ct:\pw\work\p\idot\sparksgw\0381776\0672082_Pre-MGS Highway Standard 631011-02.dgn		DRAWN -	REVISED -
Default	PLOT SCALE = 26.0000 ' / in.	CHECKED -	REVISED -
	PLOT DATE = Mar-27-2014 02:18:53PM	DATE -	REVISED -

**STATE OF ILLINOIS  
DEPARTMENT OF TRANSPORTATION**

**PRE-MGS HIGHWAY STANDARD 631011-02  
TRAFFIC BARRIER TERMINAL TYPE 2  
EFFECTIVE 4-1-06**

SCALE: SHEET OF SHEETS STA. TO STA.

F.A. RTE.	SECTION	COUNTY	TOTAL SHEETS	SHEET NO.
• VA	•••	••	17	12
			CONTRACT NO. 72G82	
ILLINOIS FED. AID PROJECT				