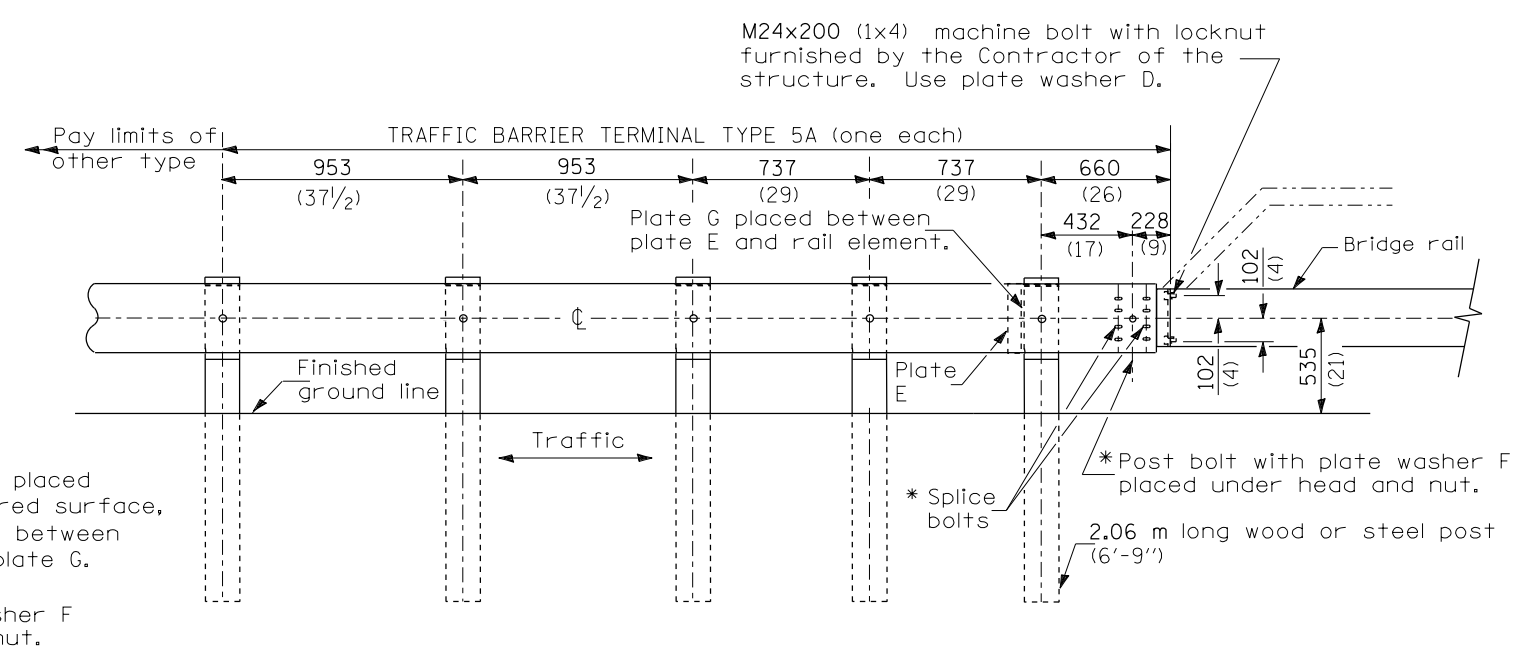


TYPE 5 - CONCRETE BRIDGE PARAPET



TYPE 5A - STEEL BRIDGE RAIL

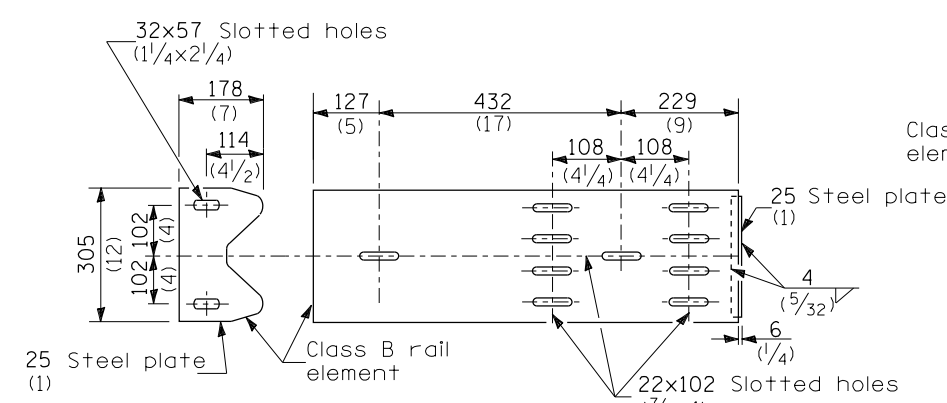


PLATE G

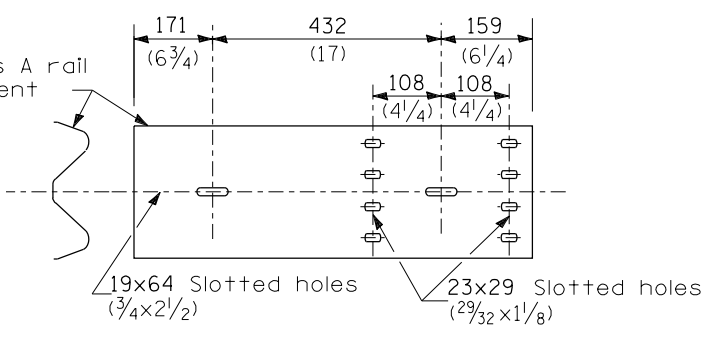
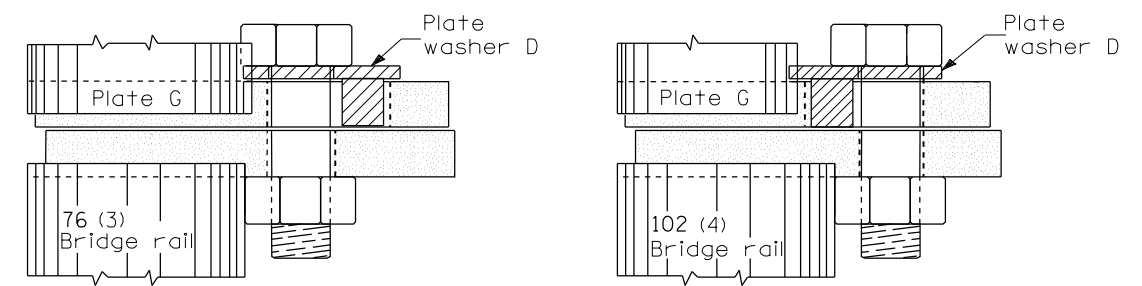


PLATE E



PLACEMENT OF PLATE WASHER D (PLAN)

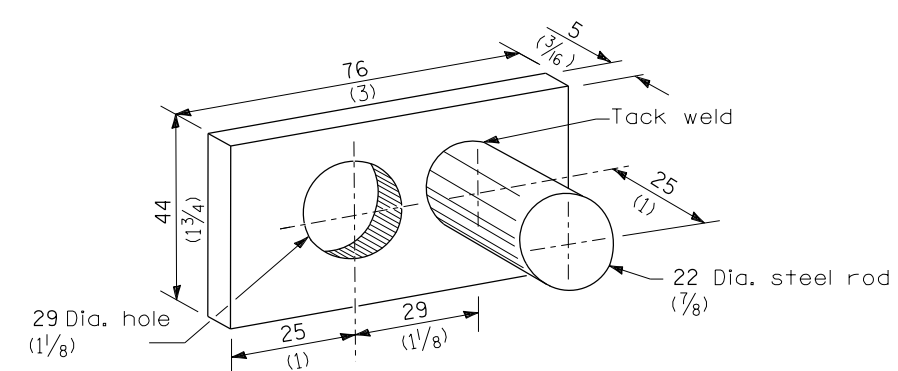
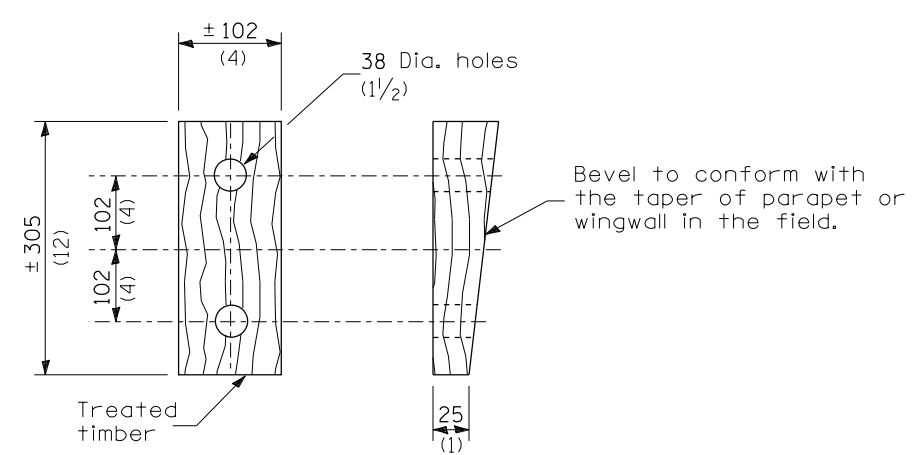


PLATE WASHER D



WEDGE M

GENERAL NOTES

- Install plate washer D so that the 25 mm (1") projection fills the remainder of the slotted holes in the 25 mm (1") end plate on plate G after the M24 (1") dia. bolts are in place.
- * Bolts shall be provided with locknut or double nut and shall be tightened only to a point that will allow plate G to be free to move when an expansion joint exists below the connector.
- See Standard 630001 for details of guardrail not shown.
- All dimensions are in millimeters (inches) unless otherwise shown.

FILE NAME =	USER NAME = sparksgw	DESIGNED -	REVISED -	STATE OF ILLINOIS DEPARTMENT OF TRANSPORTATION	PRE-MGS HIGHWAY STANDARD 631026-02 TRAFFIC BARRIER TERMINAL TYPE 5 & 5A EFFECTIVE 4-1-2006	F.A. R.T.E.	SECTION	COUNTY	TOTAL SHEETS	SHEET NO.	
Default	PLOT DATE = Mar-27-2014 02:18:55PM	DRAWN -	REVISED -			• VA	•••	••	17	13	
		CHECKED -	REVISED -			CONTRACT NO. 72G82					
		DATE -	REVISED -			ILLINOIS FED. AID PROJECT					