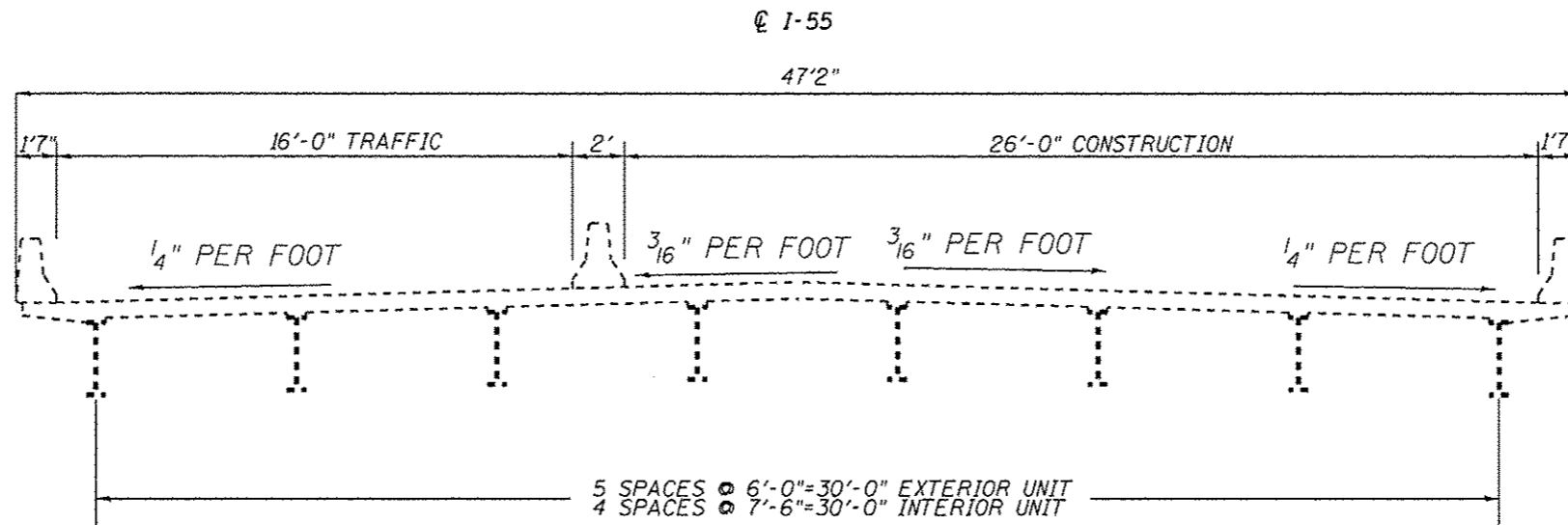


SN 084-0019
STAGE I CROSS SECTION



SN 084-0019
STAGE II CROSS SECTION

FILE NAME *	USER NAME * dudleybm	DESIGNED -	REVISED -	STATE OF ILLINOIS DEPARTMENT OF TRANSPORTATION	SN 084-0019 STAGE I & II CROSS SECTIONS	F.A.I. RTE.	SECTION	COUNTY	TOTAL SHEETS	SHEET NO.	
D:\OPERATIONS\Bridges\plans\CAD\72084 - 0	40018 & 8019 deck patching\plansheets.dgn	DRAWN - DMS	REVISED -			55	(84-2-2) 1-4	SANGAMON	28	7	
PLOT SCALE * 40.0000 1/ in.	CHECKED -	REVISED -	REVISED -			CONTRACT NO. 72084		ILLINOIS FED. AID PROJECT			
Default	PLOT DATE * Apr-09-2014 01:17:10PM	DATE -	REVISED -			SCALE:	SHEET 1	OF 3	SHEETS	STA.	TO STA.