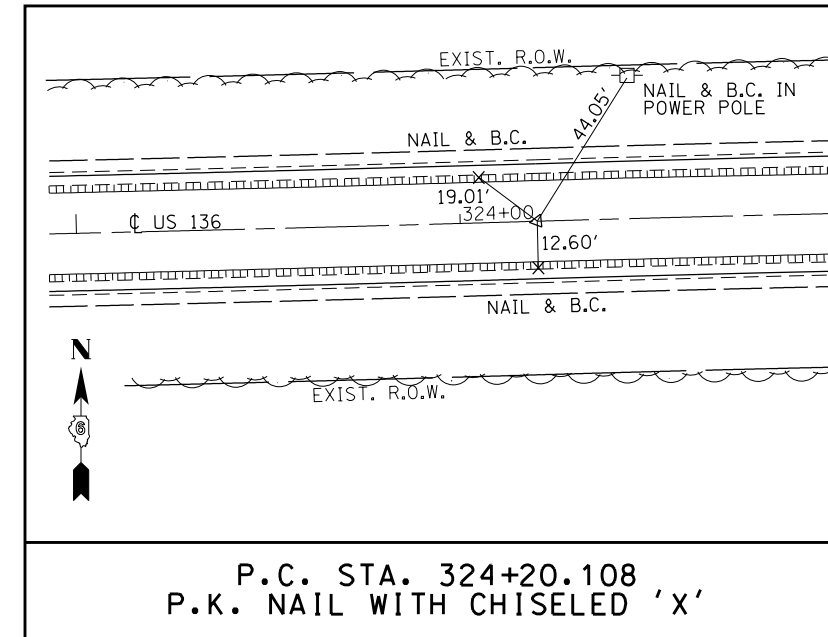
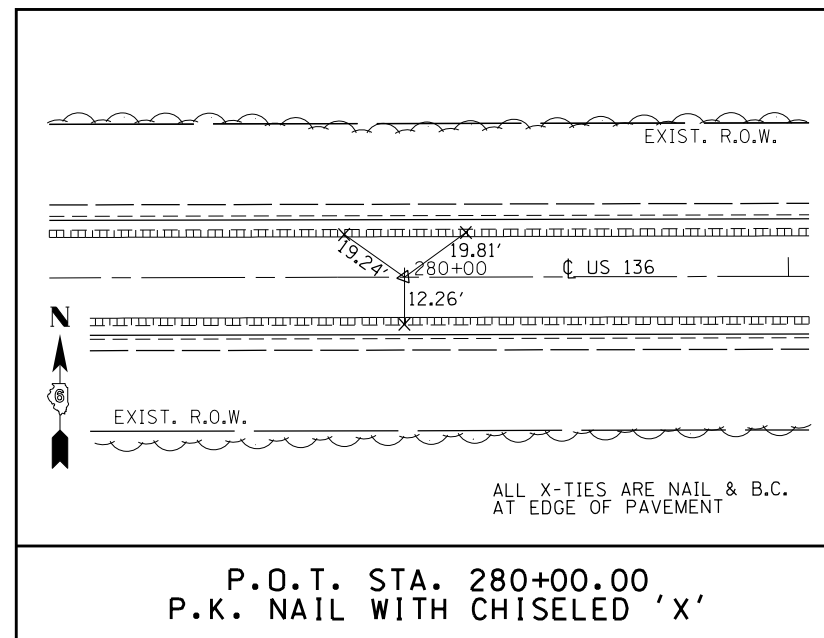


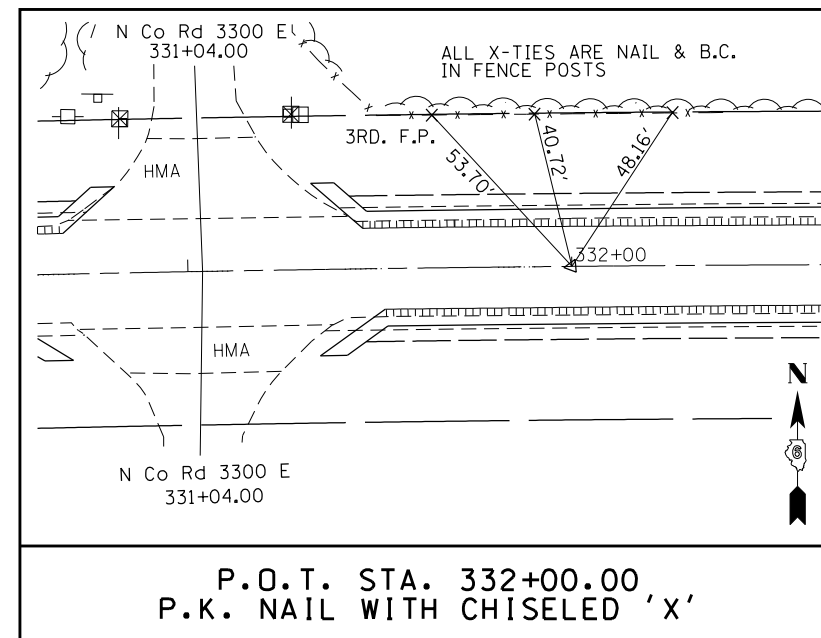
P.O.T. STA. 277+04.526
P.K. NAIL WITH CHISELED 'X'



P.C. STA. 324+20.108
P.K. NAIL WITH CHISELED 'X'



P.O.T. STA. 280+00.00
P.K. NAIL WITH CHISELED 'X'



P.O.T. STA. 332+00.00
P.K. NAIL WITH CHISELED 'X'

FILE NAME =	USER NAME = sparksgw	DESIGNED - RTS	REVISED -
et:\pwork\pwork\sparksgw\0219881\0672093-sht-ATB.dgn		DRAWN - RTS	REVISED -
	PLOT SCALE = 100.0000' / in.	CHECKED -	REVISED -
	PLOT DATE = Apr-18-2014 02:00:33PM	DATE - 04-02-14	REVISED -

STATE OF ILLINOIS
DEPARTMENT OF TRANSPORTATION

CROSS TIES

SCALE: SHEET 2 OF 2 SHEETS STA. TO STA.

F.A.P. RTE.	SECTION	COUNTY	TOTAL SHEETS	SHEET NO.
315	(123) I-1	MASON	64	14
CONTRACT NO. 72G93				
ILLINOIS FED. AID PROJECT				