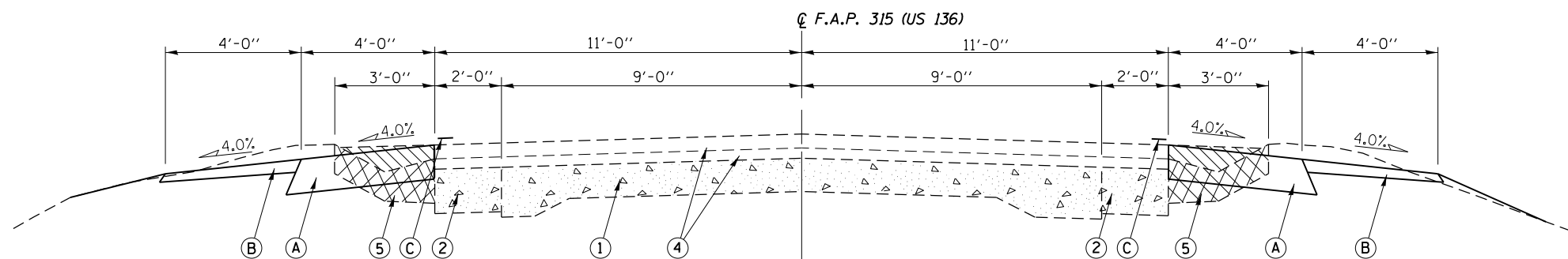


NORTH SIDE OF MAINLINE US 136
 STA. 685+95.81 TO STA. 183+61.80
 STA. 187+33.10 TO STA. 196+53.50
 STA. 201+00.00 TO STA. 274+57.10
 STA. 277+07.50 TO STA. 426+00.00

SOUTH SIDE OF MAINLINE US 136
 STA. 685+95.81 TO STA. 183+75.00
 STA. 187+35.40 TO STA. 426+00.00



NORTH SIDE OF MAINLINE US 136
 STA. 183+61.80 TO STA. 187+33.10
 STA. 196+53.50 TO STA. 201+00.00
 STA. 274+57.10 TO STA. 277+07.50

SOUTH SIDE OF MAINLINE US 136
 STA. 183+75.00 TO STA. 187+35.40

LEGEND

- ① EXISTING P.C.C. PAVEMENT, 9"-6"-9"
- ② EXISTING P.C.C. BASE COURSE WIDENING, 8"
- ③ EXISTING HMA SHOULDER, ± 9" (STD. 2239)
- ④ EXISTING HMA SURFACE COURSE
- ⑤ EXISTING CONCRETE TYPE A CONCRETE GUTTER (MODIFIED)
- Ⓐ PROPOSED HMA SHOULDERS, 6 1/2" (SEE MIXTURE TABLES IN THE GENERAL NOTES, SHEET 2)
- Ⓑ PROPOSED AGGREGATE WEDGE SHOULDER, TYPE B (AVG. DEPTH = 2")
- Ⓒ PROPOSED PAINT PAVEMENT MARKING - LINE 5" (WHITE)

- PROPOSED BITUMINOUS SHOULDER REMOVAL (MILLING DEPTH = 6 1/2") TO BE INCLUDED IN THE COSTS FOR "EXCAVATING AND GRADING EXISTING SHOULDER"
- EXISTING HMA SURFACE TO BE REMOVED (INCLUDED IN THE COSTS FOR PROPOSED GUTTER REMOVAL)
- PROPOSED GUTTER REMOVAL (CONCRETE)

EXISTING TYPE A CONCRETE GUTTER (MODIFIED) DIMENSIONS (TO BE REMOVED)

PROPOSED AGGREGATE WEDGE SHOULDER, TYPE B DIMENSIONS

NOTE:
 FOLLOWING REMOVAL OF EXISTING CONCRETE GUTTER, ANY EARTHEN VOIDS REMAINING SHALL BE FILLED AND COMPACTED WITH HMA SHOULDER MILLINGS AND EXCAVATED MATERIAL PRIOR TO THE PLACEMENT OF THE PROPOSED HMA SHOULDER, 6 1/2". THIS WORK SHALL BE COMPLETED TO THE SATISFACTION OF THE ENGINEER. COSTS FOR THIS WORK SHALL BE INCLUDED IN THE COSTS FOR "EXCAVATING AND GRADING EXISTING SHOULDER".

FILE NAME =	USER NAME = sparksgw	DESIGNED - RTS	REVISED -	STATE OF ILLINOIS DEPARTMENT OF TRANSPORTATION	TYPICAL CROSS SECTIONS	F.A.P. RTE.	SECTION	COUNTY	TOTAL SHEETS	SHEET NO.	
Default	et:\pw\work\p\dot\sparksgw\0219881\0672093-sht-typical.dgn	DRAWN - RTS	REVISED -			315	(123) I-1	MASON	64	15	
	PLOT SCALE = 48.0000' / in.	CHECKED -	REVISED -			CONTRACT NO. 72G93					
	PLOT DATE = Apr-30-2014 03:48:53PM	DATE - 3-24-2014	REVISED -			ILLINOIS FED. AID PROJECT					