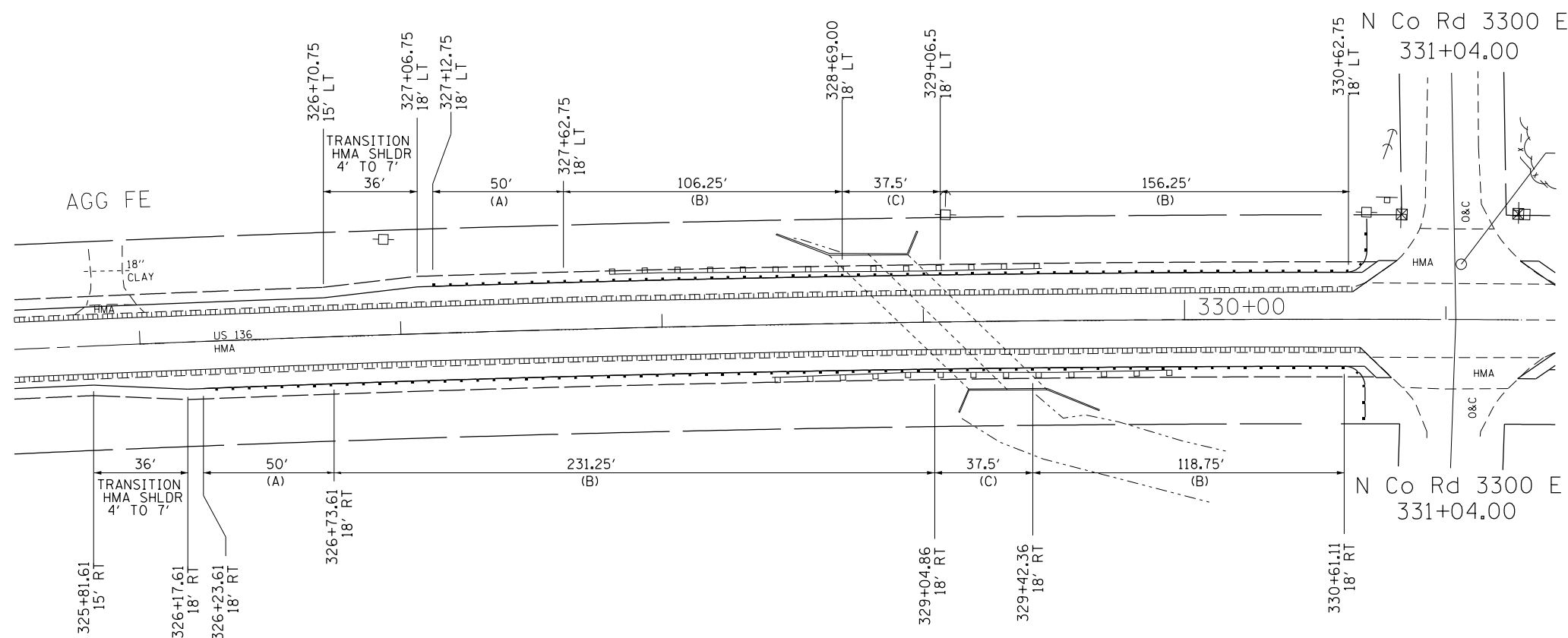
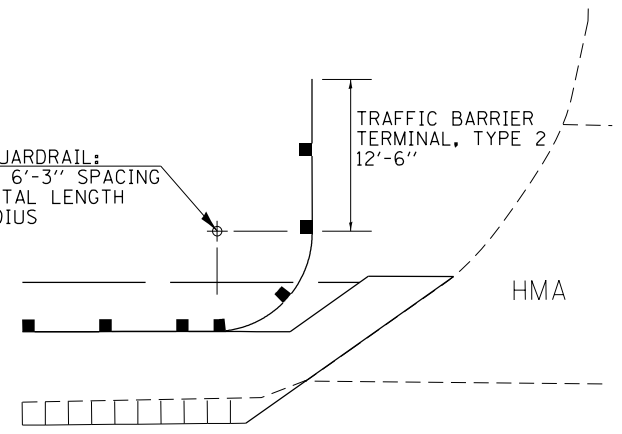


- (A) PAY LIMITS FOR TRAFFIC BARRIER TERMINAL, TYPE 1 SPECIAL, TANGENT
- (B) PAY LIMITS FOR STEEL PLATE BEAM GUARDRAIL, TYPE A
- (C) PAY LIMITS FOR STEEL PLATE BEAM GUARDRAIL, ATTACHED TO STRUCTURE



RADIUS GUARDRAIL:  
 1 POST @ 6'-3" SPACING  
 12'-6" TOTAL LENGTH  
 8'-0" RADIUS



**DETAIL OF STEEL PLATE BEAM GUARDRAIL (SHORT RADIUS)**

STA. 250+18.42 LT  
 STA. 252+05.92 LT  
 STA. 330+62.75 LT  
 STA. 330+61.11 RT

FILE NAME = c:\pwork\work\pwork\sparks\10219881\0672093-shd-details.dgn	USER NAME = sparks	DESIGNED - MOK	REVISED -	<b>STATE OF ILLINOIS DEPARTMENT OF TRANSPORTATION</b>	<b>GUARDRAIL DETAILS</b>			F.A.P. R.T.E. = 315	SECTION = (123)I-1	COUNTY = MASON	TOTAL SHEETS = 64	SHEET NO. = 37
Default	PLOT SCALE = 40.0000' / in.	CHECKED -	REVISED -		SCALE:	SHEET 1	OF 1 SHEETS	STA.	TO STA.	CONTRACT NO. 72C93		
	PLOT DATE = Apr-18-2014 02:01:01PM	DATE -	REVISED -		ILLINOIS FED. AID PROJECT							