

F.A.P. RTE.	SECTION	COUNTY	TOTAL SHEETS	SHEET NO.
**	*	MASON	6	1
ILLINOIS CONTRACT NO. 72H03				

* D6 SPRING RD REPAIR 2014-3

- 1 COVER SHEET
- 2 GENERAL NOTES /COMMITMENTS
- 3 SUMMARY OF QUANTITIES
- 4 TYPICAL SECTIONS
- 5-6 PLAN SHEETS

DEPARTMENT OF TRANSPORTATION
DIVISION OF HIGHWAYS

PROPOSED HIGHWAY PLANS

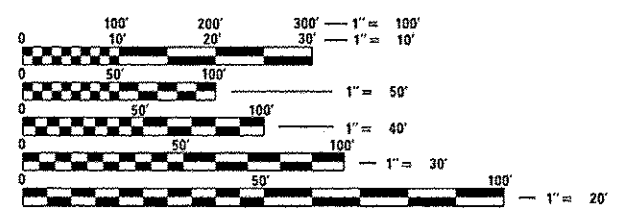
FAP ROUTE 34 & 67 (IL 97 & 125)
SECTION D6 SPRING RD REPAIR 2014-3

PATCHING
MASON & SANGAMON COUNTIES

C-96-074-14

- STANDARDS**
- 442201-03
 - 701001-02
 - 701006-05
 - 701011-04
 - 701201-04
 - 701206-03
 - 701901-03
 - 780001-04

MASON COUNTY	SANGAMON COUNTY
ADT = 2,400 (2013)	ADT = 10,300 (2013)
PV = 2,038 (84.9%)	PV = 9,725 (94.42%)
SU = 148 (6.15%)	SU = 300 (2.91%)
MU = 214 (8.95%)	MU = 275 (2.67%)

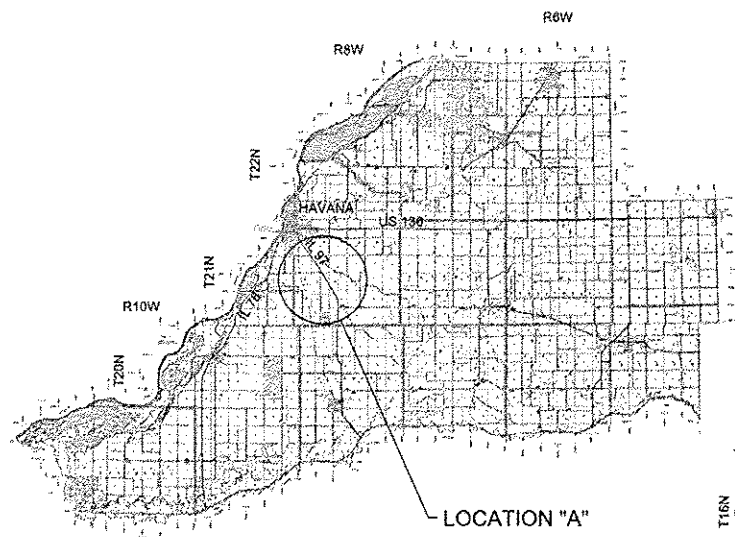


FULL SIZE PLANS HAVE BEEN PREPARED USING STANDARD ENGINEERING SCALES. REDUCED SIZED PLANS WILL NOT CONFORM TO STANDARD SCALES. IN MAKING MEASUREMENTS ON REDUCED PLANS, THE ABOVE SCALES MAY BE USED.

J.U.L.I.E.
JOINT UTILITY LOCATION INFORMATION FOR EXCAVATION
1-800-892-0123
OR 811

SENIOR ENGINEER: MARK DUST (217) 785-0597
PROJECT MANAGER: FRANK SHIMKUS (217) 785-9102

CONTRACT NO. 72H03

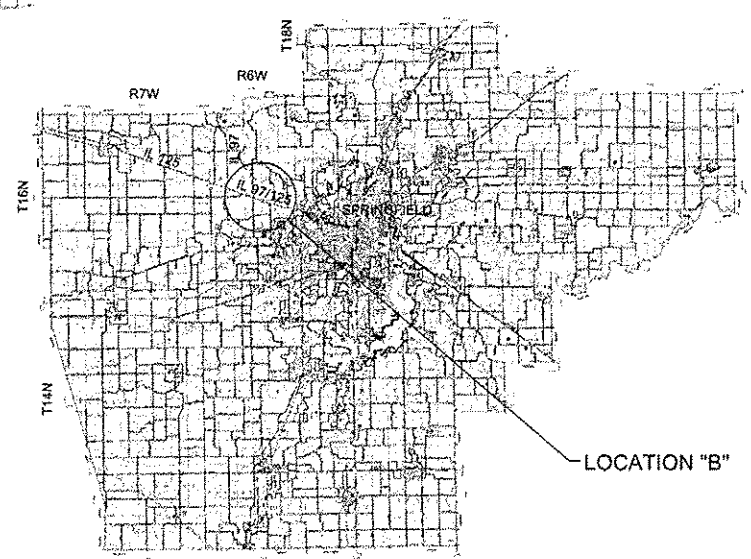


MASON COUNTY

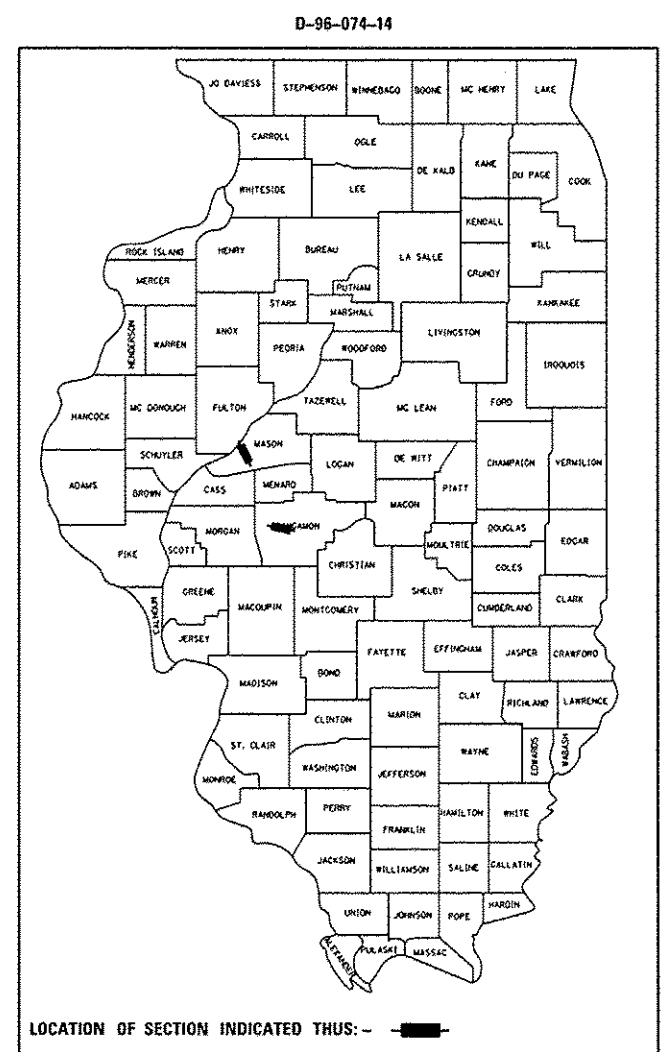
GROSS LENGTH = 28,512.0 FT. = 5.40 MILE
NET LENGTH = 28,512.0 FT. = 5.40 MILE



SANGAMON COUNTY



GROSS LENGTH = 22,704.0 FT. = 4.30 MILE
NET LENGTH = 22,704.0 FT. = 4.30 MILE



LOCATION OF SECTION INDICATED THIS: - [thick black line] -

STATE OF ILLINOIS
DEPARTMENT OF TRANSPORTATION
DIVISION OF HIGHWAYS

SUBMITTED April 11 20 14
Roger Z. Duda
DEPUTY DIRECTOR OF HIGHWAYS, REGION ENGINEER

May 9 20 14
John D. Baranzelli, P.E.
ENGINEER OF DESIGN AND ENVIRONMENT

May 9 20 14
Cher Osman, P.E.
DIRECTOR OF HIGHWAYS, CHIEF ENGINEER

**PRINTED BY THE AUTHORITY
OF THE STATE OF ILLINOIS**

GENERAL NOTES

1. ACTUAL SIZE AND LOCATIONS OF ADDITIONAL PATCHES, OTHER THAN THOSE NOTED IN THE PLANS, WILL BE DETERMINED IN THE FIELD BY THE RESIDENT ENGINEER.
2. IN ADDITION TO FIELD SURVEYS AND AERIAL SURVEYS, PLAN DIMENSIONS AND DETAILS RELATIVE TO THE EXISTING FACILITIES HAVE BEEN TAKEN FROM EXISTING PLANS AND ARE SUBJECT TO CONSTRUCTION VARIATIONS. IT SHALL BE THE CONTRACTOR'S RESPONSIBILITY TO VERIFY SUCH DIMENSIONS AND DETAILS IN THE FIELD. SUCH VARIATIONS SHALL NOT BE A CAUSE FOR ADDITIONAL COMPENSATION. HOWEVER, THE CONTRACTOR WILL BE PAID FOR THE QUANTITY ACTUALLY FURNISHED AT THE BID UNIT PRICE FOR THE WORK.
3. WHERE SECTION OR SUBSECTION MONUMENTS ARE ENCOUNTERED, THE ENGINEER SHALL BE NOTIFIED BEFORE SUCH MONUMENTS ARE REMOVED. THE CONTRACTOR SHALL PROTECT AND CAREFULLY PRESERVE ALL MONUMENTS UNTIL AN AUTHORIZED SURVEYOR OR AGENT HAS WITNESSED OR OTHERWISE REFERENCED THEIR LOCATION. THE CONTRACTOR SHALL BE RESPONSIBLE FOR HAVING AN AUTHORIZED SURVEYOR REESTABLISH ANY SECTION OR SUBSECTION MONUMENTS DESTROYED BY HIS OPERATIONS.
4. ANY REFERENCE TO A STANDARD IN THESE PLANS SHALL BE INTERPRETED TO MEAN THE EDITION AS INDICATED BY THE SUBNUMBER LISTED ON THE INDEX OF SHEETS OR THE COPY OF THE STANDARD INCLUDED IN THESE PLANS.
5. ALL DISTURBED AREAS WITHIN THE R.O.W. AND EASEMENTS SHALL BE SEEDED, FERTILIZED AND MULCHED, AS DIRECTED BY THE ENGINEER. SEEDING SHALL BE ACCORDING TO THE APPLICABLE ARTICLES OF SECTION 250 OF THE STANDARD SPECIFICATIONS. SEEDING SHALL NOT BE PERMITTED AT ANY TIME WHEN THE GROUND IS FROZEN, WET, OR IN AN UNTILLABLE CONDITION.

THE FOLLOWING MIXTURE REQUIREMENTS ARE APPLICABLE FOR THIS PROJECT:

MIXTURE USE(S):	PATCHING
PG:	PG 64-22
DESIGN AIR VOIDS:	4.0% @ N 70
MIXTURE COMPOSITION: (GRADATION MIXTURE)	IL 19.0
FRICITION AGGREGATE:	N/A
QUALITY MANAGEMENT	QC/OA

COMMITMENTS

1. THE RESIDENT ENGINEER SHALL CONTACT STUDIES & PLANS CONCERNING ANY MAJOR PLAN CHANGE, TO MAKE SURE NO PREVIOUS COMMITMENTS (NOT LISTED) WERE MADE AFFECTING THE DESIGN AND ALLOW AN IMPROVED DESIGN FOR FUTURE PROJECTS.

DISTRICT SIX

EXAMINED APRIL 8th 20 14
John C. Wagoner
 OPERATIONS ENGINEER

EXAMINED APRIL 11 20 14
Tommy F. [Signature]
 PROJECT IMPLEMENTATION ENGINEER

EXAMINED April 8 20 14
Jeffrey P. Meyer
 PROGRAM DEVELOPMENT ENGINEER

FILE NAME *	USER NAME * shinkusft	DESIGNED -	REVISED -	STATE OF ILLINOIS DEPARTMENT OF TRANSPORTATION	GENERAL NOTES FAP 67/34 (IL 97)	F.A.P. RTE.	SECTION	COUNTY	TOTAL SHEETS	SHEET NO.
ct:\pwork\pwork\shinkusft\cd0307977\06	zh03-shr-genote.dgn	DRAWN -	REVISED -			**	*	MASON	6	2
	PLOT SCALE * 100,0000' / in.	CHECKED -	REVISED -							CONTRACT NO. 72H03
Default	PLOT DATE * Apr-11-2014 10:15:20AM	DATE -	REVISED -			SCALE:	SHEET	OF	SHEETS	STA.

403 11 11A

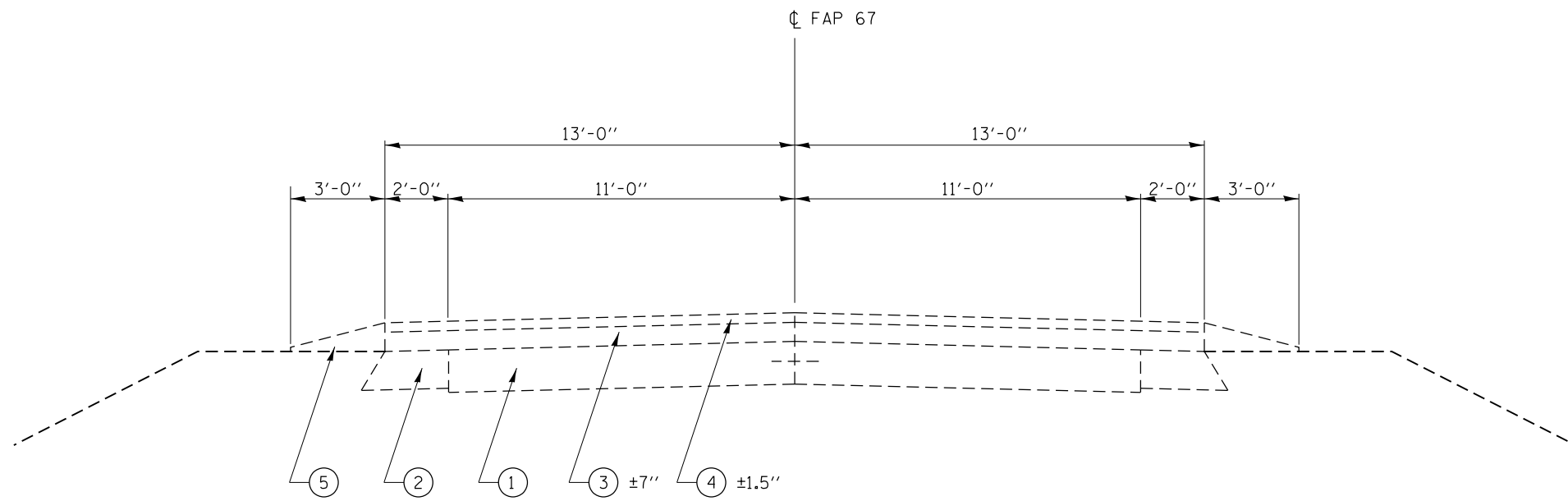
CODE NO.	ITEM	UNIT	TOTAL QUANTITY	CONSTRUCTION CODE	
				100% STATE	100% STATE
				ROADWAY	ROADWAY
				0005	0005
				Mason County	Sangamon County
44200192	PAVEMENT PATCHING, TYPE II, 16 INCH	SO YD	1970	690	1280
44200196	PAVEMENT PATCHING, TYPE III, 16 INCH	SO YD	566	196	370
44200198	PAVEMENT PATCHING, TYPE IV, 16 INCH	SO YD	700	295	405
67100100	MOBILIZATION	L SUM	1	0.5	0.5
70100450	TRAFFIC CONTROL AND PROTECTION, STANDARD 701201	L SUM	1	1	
70100455	TRAFFIC CONTROL AND PROTECTION, STANDARD 701206	L SUM	1		1
70106800	CHANGEABLE MESSAGE SIGN	CAL MO	1		1
70200100	NIGHTTIME WORK ZONE LIGHTING	L SUM	1		1

8

FILE NAME : c:\pwork\pwork\spk\spk-00387577\0672H03-shs-500.dgn	USER NAME : spk-kgg	DESIGNED -	REVISED -	STATE OF ILLINOIS DEPARTMENT OF TRANSPORTATION	SUMMARY OF QUANTITIES FAP 67/34 (IL 97)				F.A.P. RTE.	SECTION	COUNTY	TOTAL SHEETS	SHEET NO.
PLOT SCALE * 100.0000 / / in	CHECKED -	REVISIED -	REVISIED -		SCALE:	SHEET	OF	SHEETS	STA.	TO STA.	MASON	6	3
PLOT DATE * Apr-11-2014 11:19:52AM	DATE -	REVISIED -	REVISIED -		CONTRACT NO. 72H03								
Default					ILLINOIS FED. AID PROJECT								

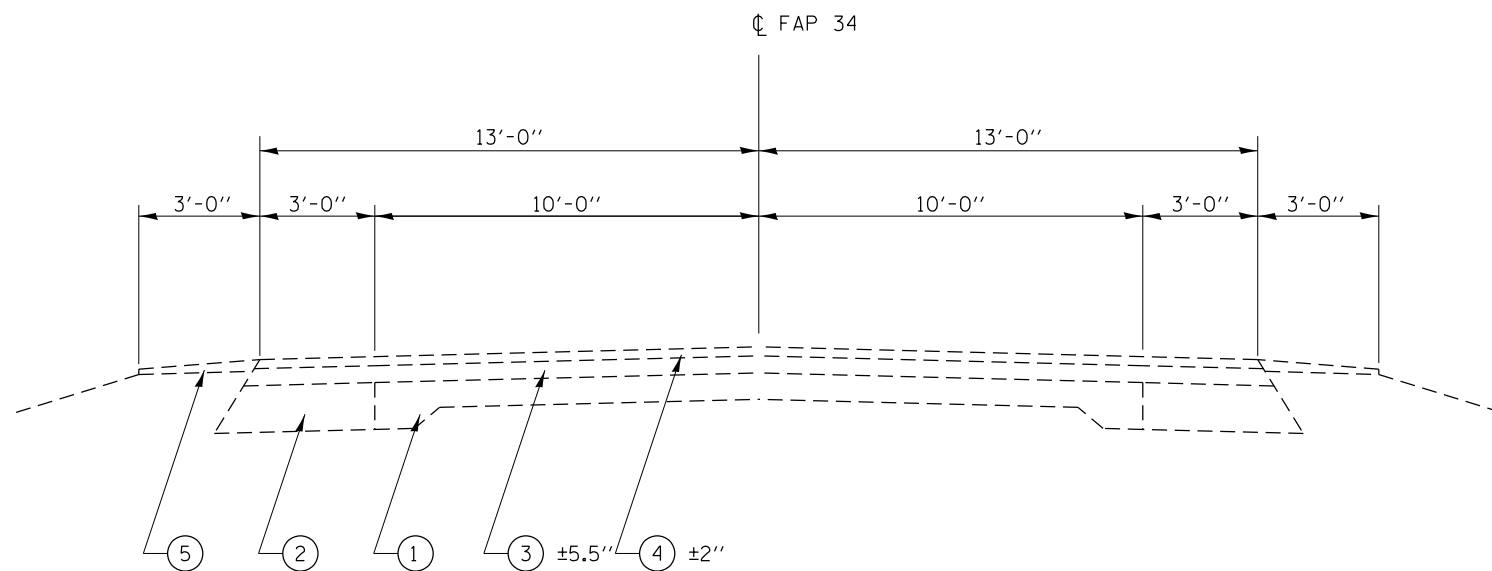
LEGEND

- ① EXIST. PCC PAVEMENT 9'-6"-9"
- ② EXIST. PAVEMENT WIDENING 8"
- ③ EXIST. HMA OVERLAY, 2"-8"
- ④ EXIST. HMA OVERLAY, 1 1/2"
- ⑤ EXIST. AGGREGATE SHOULDER, TYPE B



TYPICAL SECTION # 2

LOCATION "B" (SANGAMON COUNTY)



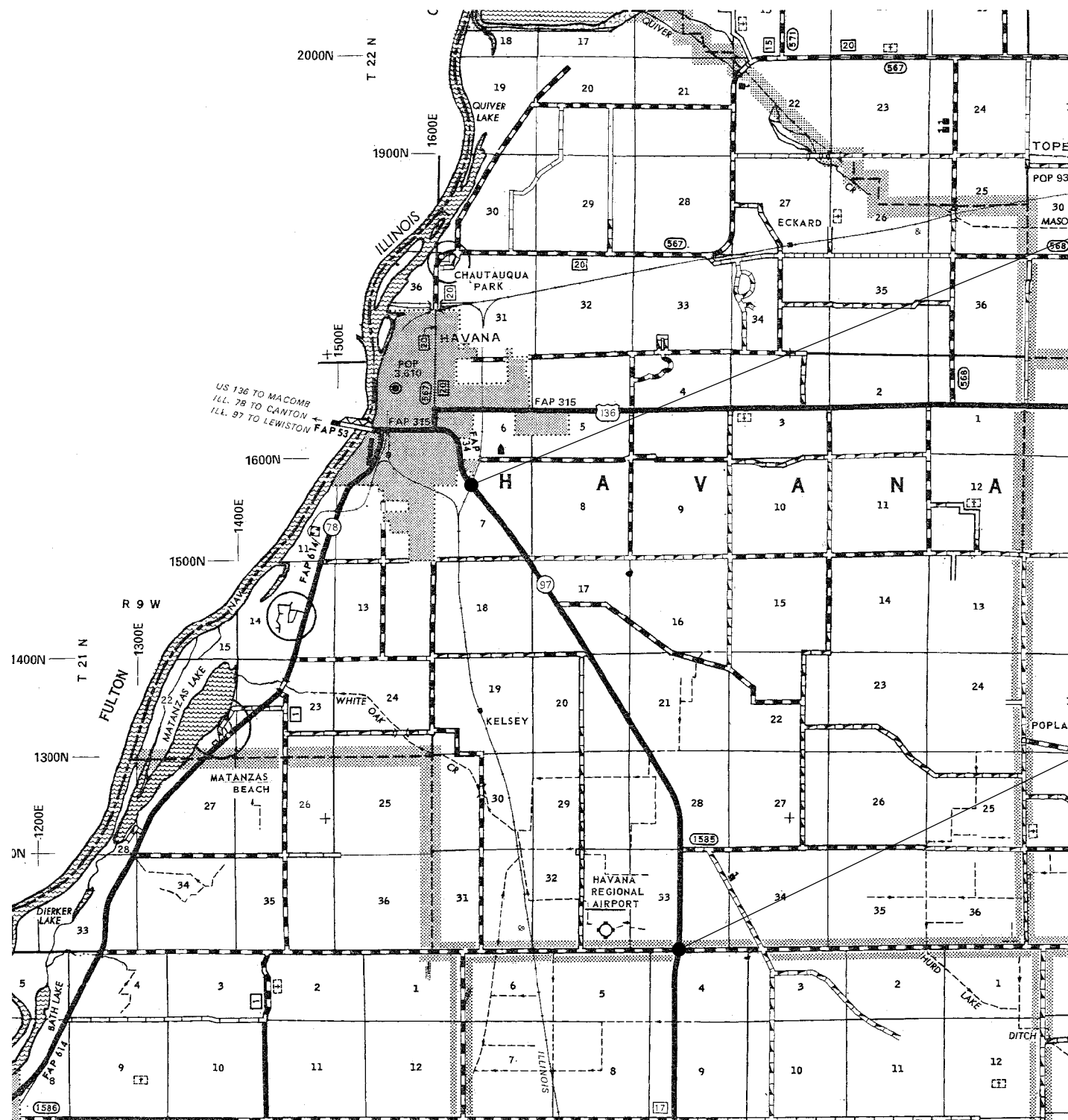
TYPICAL SECTION # 1

LOCATION "A" (MASON COUNTY)

NOTE:
DEPTH MAY VARY IN SUPER
ELEVATED SECTIONS, PATCHING
SHALL BE MEASURED ACCORDING
TO ARTICAL 442.10.

FILE NAME =	USER NAME = sparksgw	DESIGNED -	REVISED -	STATE OF ILLINOIS DEPARTMENT OF TRANSPORTATION	TYPICAL SECTIONS FAP 67/34 (IL 97)				F.A.P. RTE.	SECTION	COUNTY	TOTAL SHEETS	SHEET NO.
Default	et:\pw\work\p\idot\sparksgw\10387577\0672H03-sht-typicol.dgn	DRAWN -	REVISED -		SCALE:	SHEET	OF	SHEETS	STA.	TO STA.	MASON	6	4
	PLOT SCALE = 40.0000' / in.	CHECKED -	REVISED -								CONTRACT NO.	72H03	
	PLOT DATE = Apr-11-2014 11:21:04AM	DATE -	REVISED -								ILLINOIS FED. AID PROJECT		

LOCATION "A"



BEGIN PROPOSED
PAVEMENT PATCHING

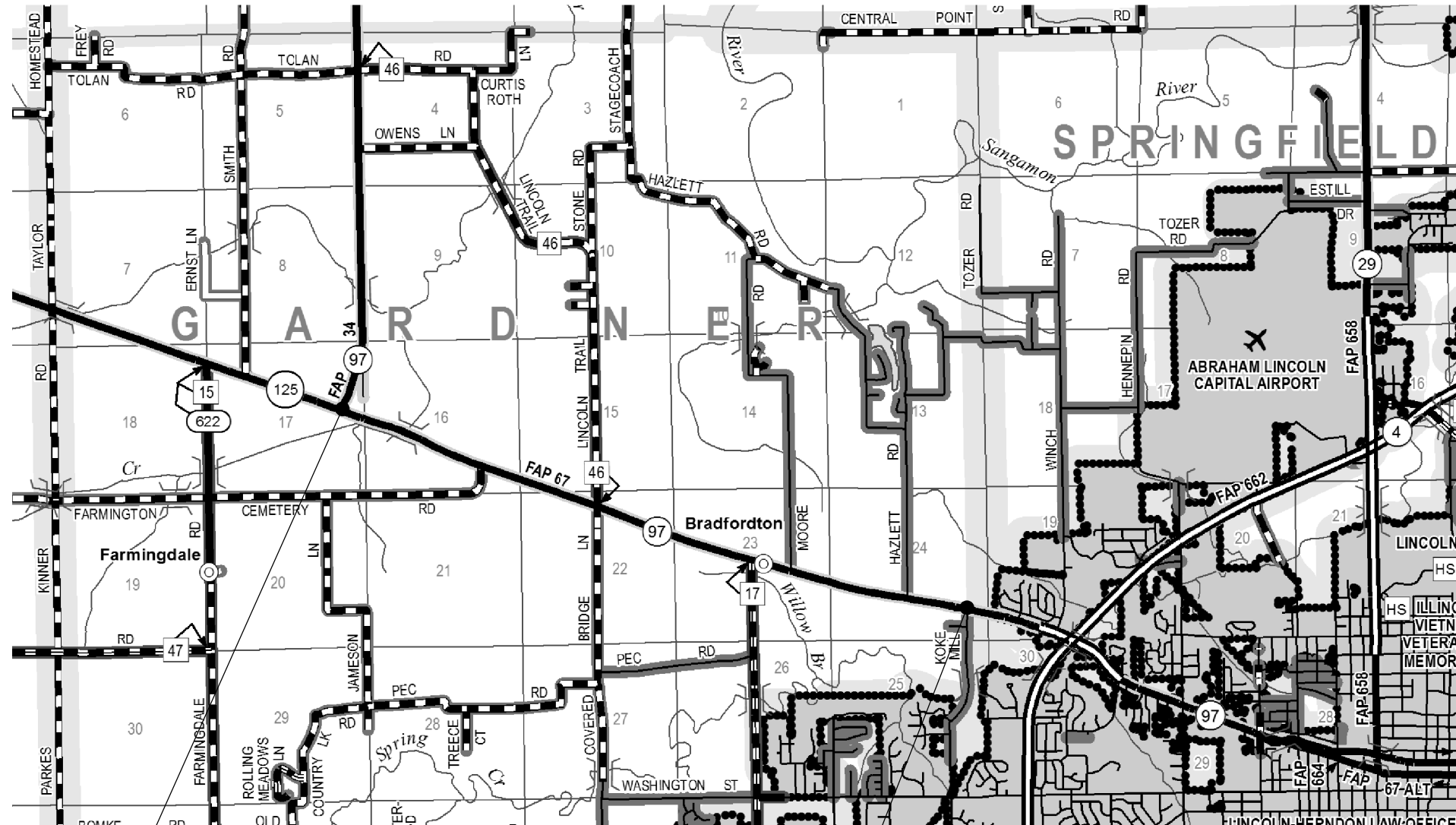
END PROPOSED
PAVEMENT PATCHING

MASON COUNTY

NOTE:
NO WORK SHALL BE DONE WITHIN
50' OF THE RAIL ROAD TRACKS

FILE NAME =	USER NAME = sparksgw	DESIGNED -	REVISED -	STATE OF ILLINOIS DEPARTMENT OF TRANSPORTATION	PLAN SHEETS FAP 67/34 (IL 97)				F.A.P. RTE.	SECTION	COUNTY	TOTAL SHEETS	SHEET NO.	
Default	et:\pw\work\p\idot\sparksgw\10387577\0672H03-sht-plan.dgn	DRAWN -	REVISED -		SCALE:	SHEET	OF	SHEETS	STA.	TO	STA.	MASON	6	5
	PLOT SCALE = 100.0000' / in.	CHECKED -	REVISED -								CONTRACT NO. 72H03			
	PLOT DATE = Apr-11-2014 11:21:05AM	DATE -	REVISED -								ILLINOIS FED. AID PROJECT			

LOCATION "B"



BEGIN PROPOSED PAVEMENT PATCHING

END PROPOSED PAVEMENT PATCHING

SANGAMON COUNTY

FILE NAME =	USER NAME = sparksgw	DESIGNED -	REVISED -	STATE OF ILLINOIS DEPARTMENT OF TRANSPORTATION	PLAN SHEETS FAP 67/34 (IL 97)				F.A.P. RTE.	SECTION	COUNTY	TOTAL SHEETS	SHEET NO.	
Default	et:\pw\work\p\dot\sparksgw\10387577\0672H03-sht-plan.dgn	DRAWN -	REVISED -		SCALE:	SHEET	OF	SHEETS	STA.	TO	STA.	MASON	6	6
	PLOT SCALE = 100.0000' / in.	CHECKED -	REVISED -									CONTRACT NO. 72H03		
	PLOT DATE = Apr-11-2014 11:21:15AM	DATE -	REVISED -									ILLINOIS FED. AID PROJECT		