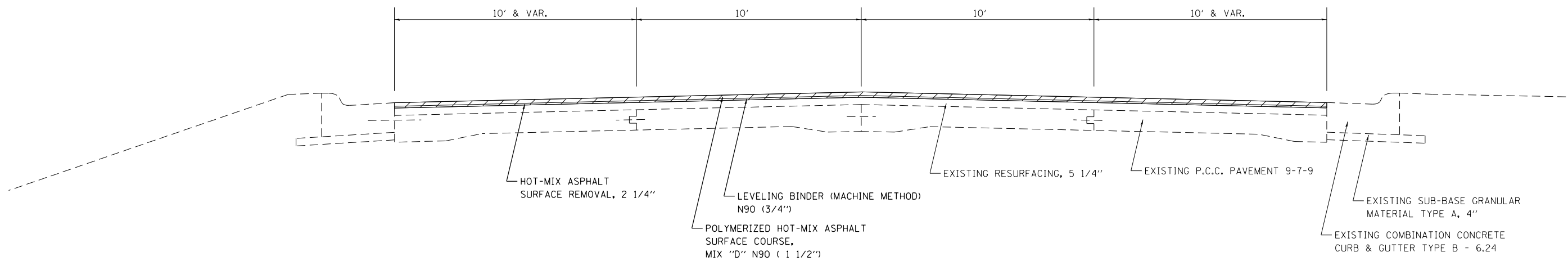


PROPOSED TYPICAL CROSS SECTION

STA 28+39 TO STA 122+69



PROPOSED TYPICAL CROSS SECTION

STA 122+69 TO STA 129+71

FILE NAME =	USER NAME = steffenmk	DESIGNED -	REVISED -
c:\pwork\pwork\dot\steffenmk\d0187107\074475-shr-typicals.dgn		DRAWN -	REVISED -
Default	PLOT SCALE = 100.0000' / in.	CHECKED -	REVISED -
	PLOT DATE = 4/4/2014	DATE -	REVISED -

STATE OF ILLINOIS
DEPARTMENT OF TRANSPORTATION

TYPICALS			
SCALE:	SHEET	OF	SHEETS
	STA.	TO	STA.

F.A.P. RTE.	SECTION	COUNTY	TOTAL SHEETS	SHEET NO.
712	128RS-4,148KRS-2	Macon	73	12
CONTRACT NO.			74475	
ILLINOIS FED. AID PROJECT				