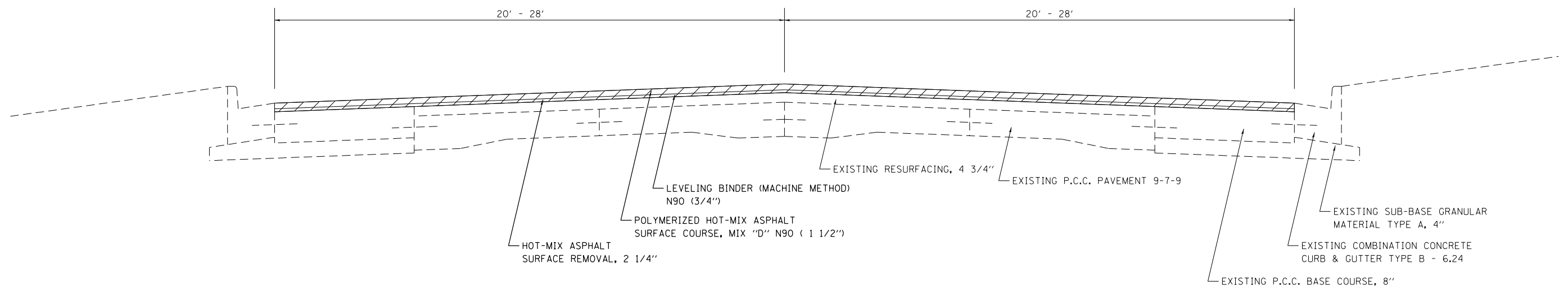


PROPOSED TYPICAL CROSS SECTION

STA 129+71 TO STA 140+63
 STA 164+30 TO STA 170+92
 STA 183+24 TO STA 199+25



PROPOSED TYPICAL CROSS SECTION

STA 140+63 TO STA 151+97

FILE NAME =	USER NAME = steffenmk	DESIGNED -	REVISED -
c:\pwork\pwork\stefjenmk\d0187107\074475-shr-typicals.dgn		DRAWN -	REVISED -
Default	PLOT SCALE = 100.0000' / in.	CHECKED -	REVISED -
	PLOT DATE = 4/4/2014	DATE -	REVISED -

**STATE OF ILLINOIS
 DEPARTMENT OF TRANSPORTATION**

TYPICALS			
SCALE:	SHEET	OF	SHEETS
	STA.	TO	STA.

F.A.P. RTE.	SECTION	COUNTY	TOTAL SHEETS	SHEET NO.
712	128RS-4,148K/RS-2	Macon	73	13
CONTRACT NO.			74475	
ILLINOIS FED. AID PROJECT				