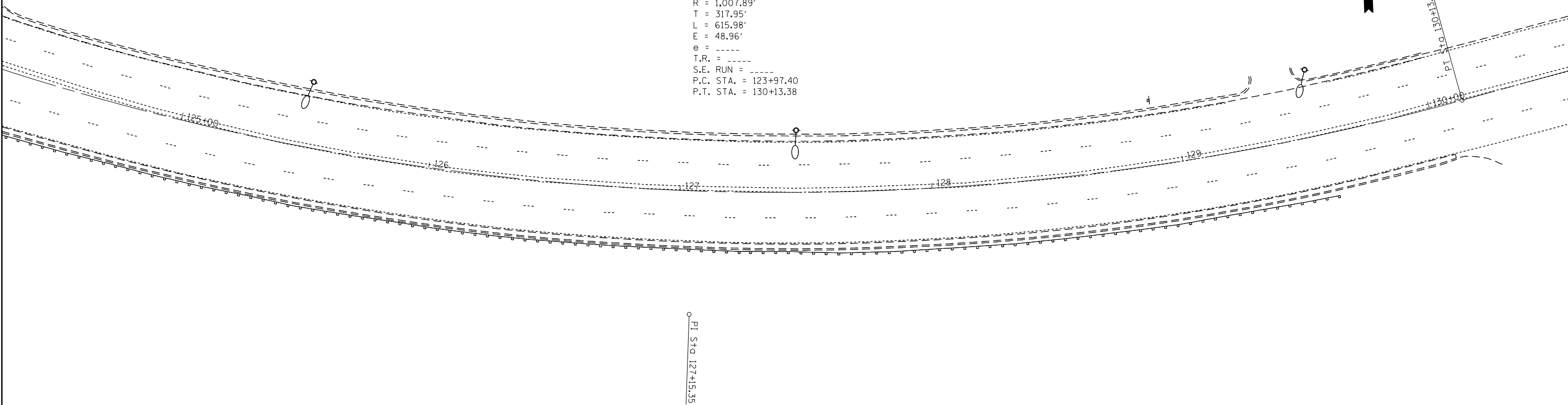
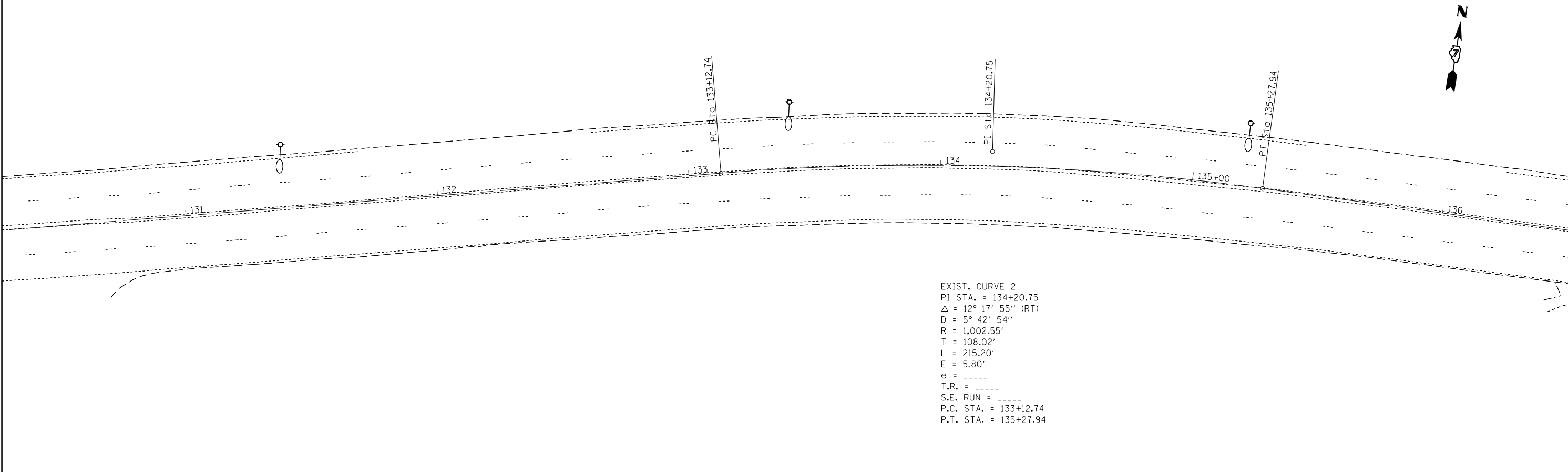


EXIST. CURVE 1
 PI STA. = 127+15.35
 $\Delta = 35^\circ 01' 01''$ (LT)
 D = 5° 41' 05"
 R = 1,007.89'
 T = 317.95'
 L = 615.98'
 E = 48.96'
 e = -----
 T.R. = -----
 S.E. RUN = -----
 P.C. STA. = 123+97.40
 P.T. STA. = 130+13.38



EXIST. CURVE 2
 PI STA. = 134+20.75
 $\Delta = 12^\circ 17' 55''$ (RT)
 D = 5° 42' 54"
 R = 1,002.55'
 T = 108.02'
 L = 215.20'
 E = 5.80'
 e = -----
 T.R. = -----
 S.E. RUN = -----
 P.C. STA. = 133+12.74
 P.T. STA. = 135+27.94



FILE NAME =	USER NAME = steffenmk	DESIGNED -	REVISED -
ei:\pw_work\p\dot\steffenmk\d0187107\074475-SHT-plan.dgn		DRAWN -	REVISED -
	PLOT SCALE = 40.0000' / in.	CHECKED -	REVISED -
D774498-SHT-plan 27	PLOT DATE = 4/4/2014	DATE -	REVISED -

**STATE OF ILLINOIS
 DEPARTMENT OF TRANSPORTATION**

PLAN SHEET			
SCALE:	SHEET	OF	SHEETS
	STA.	TO	STA.

F.A.P. RTE.	SECTION	COUNTY	TOTAL SHEETS	SHEET NO.
712	128RS-4,148K/RS-2	Macon	73	27
ILLINOIS FED. AID PROJECT			CONTRACT NO. 74475	