

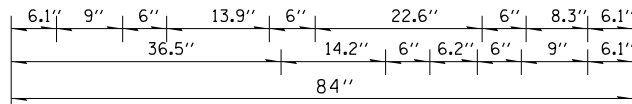
LEGEND		
	Existing	Proposed
SIGNAL POST	○	●
MAST ARM	○—	●—
SIGNAL HEAD W/ BACKPLATE	+▷	+▷
CONTROLLER	⊠	⊠
HANDHOLE	◻	◻
GULFBOX JUNCTION	○	○
DOUBLE HANDHOLE	◻	◻
DETECTOR LOOP	□	□
TRAFFIC SIGNAL HEAD	⌈ R Y G ⌋	⌈ R Y G ⌋

REMOVE EXISTING TRAFFIC SIGNAL EQUIPMENT

	Jasper/ Southmoreland	S 16th St/ Lost Bridge Rd	Wood St	Prairie St
Pedestrian Signal Head	6	-	8	8
Pedestrian Push-Button	6	-	8	8
Pedestrian Push Button Post	-	-	1	-
Traffic signal Head-3 Section BM	6	4	-	-
Traffic Signal Head-5 Section BM	2	2	1	-
Traffic Signal Head-3 Section MAM	-	6	-	-
Traffic Signal Head-5 Section MAM	-	2	1	-
Traffic Signal Post	6	3	-	-
Traffic Signal Mast Arm	-	4	-	-
Traffic Signal Cabinet, Control & Components	1	1	-	-

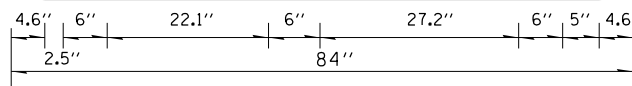


TO BE INSTALLED ON EASTBOUND MAST ARM (STA 158+76 55' RT)



TO BE INSTALLED ON WESTBOUND MAST ARM (STA 157+45 42' LT)

SIGN PANEL DETAILS

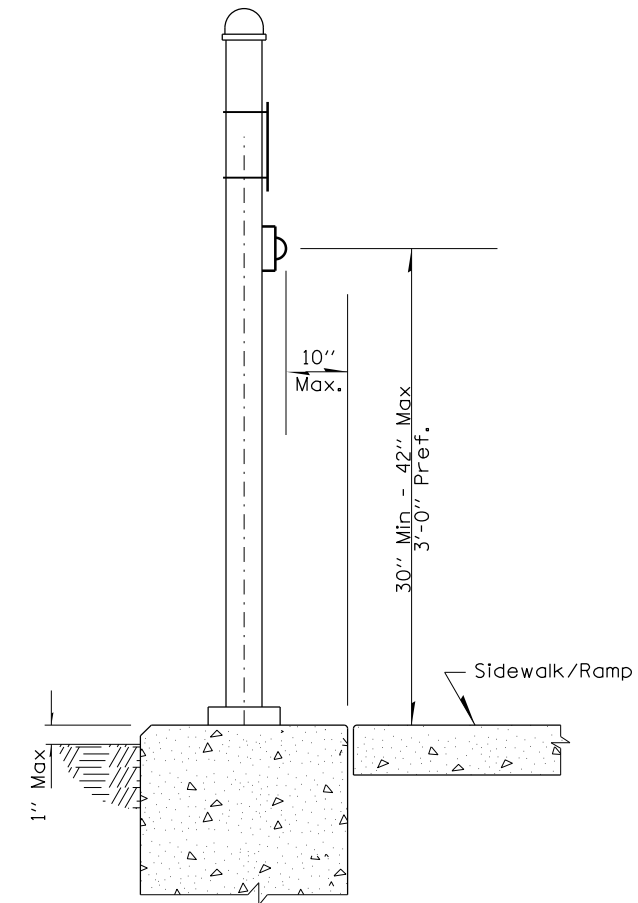


TO BE INSTALLED ON NORTHBOUND MAST ARM (STA 158+49 48' LT)
TO BE INSTALLED ON SOUTHBOUND MAST ARM (STA 157+56 75' RT)

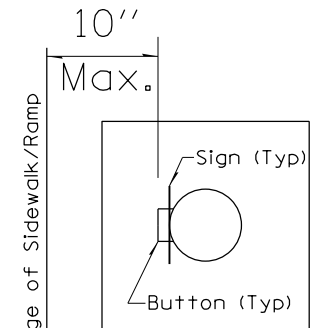
SIGN PANEL DETAILS

- SIGN SHALL HAVE A WHITE REFLECTORIZED LEGEND AND BORDER ON A GREEN REFLECTORIZED BACKGROUND.
- UPPER/LOWER CASE LETTERS, HIGHWAY D.

- SIGN SHALL HAVE A WHITE REFLECTORIZED LEGEND AND BORDER ON A GREEN REFLECTORIZED BACKGROUND.
- UPPER/LOWER CASE LETTERS, HIGHWAY D.



NOTE: PROWAG reach range requirements.



TOP VIEW

PEDESTRIAN PUSH-BUTTON LOCATION

FILE NAME =	USER NAME = steffenmk	DESIGNED -	REVISED -
ci:\pw\work\p\idot\steffenmk\d0187107\074475-TS-sht.dgn		DRAWN -	REVISED -
Default	PLOT SCALE = 20.0000' / in.	CHECKED -	REVISED -
	PLOT DATE = 4/4/2014	DATE -	REVISED -

STATE OF ILLINOIS
DEPARTMENT OF TRANSPORTATION

TRAFFIC SIGNAL PLANS			
TRAFFIC SIGNAL DETAILS			
SCALE:	SHEET 2	OF 18 SHEETS	STA. TO STA.

F.A.P. RTE.	SECTION	COUNTY	TOTAL SHEETS	SHEET NO.
712	128RS-4,148K/RS-2	Macon	73	54
CONTRACT NO. 74475			ILLINOIS FED. AID PROJECT	