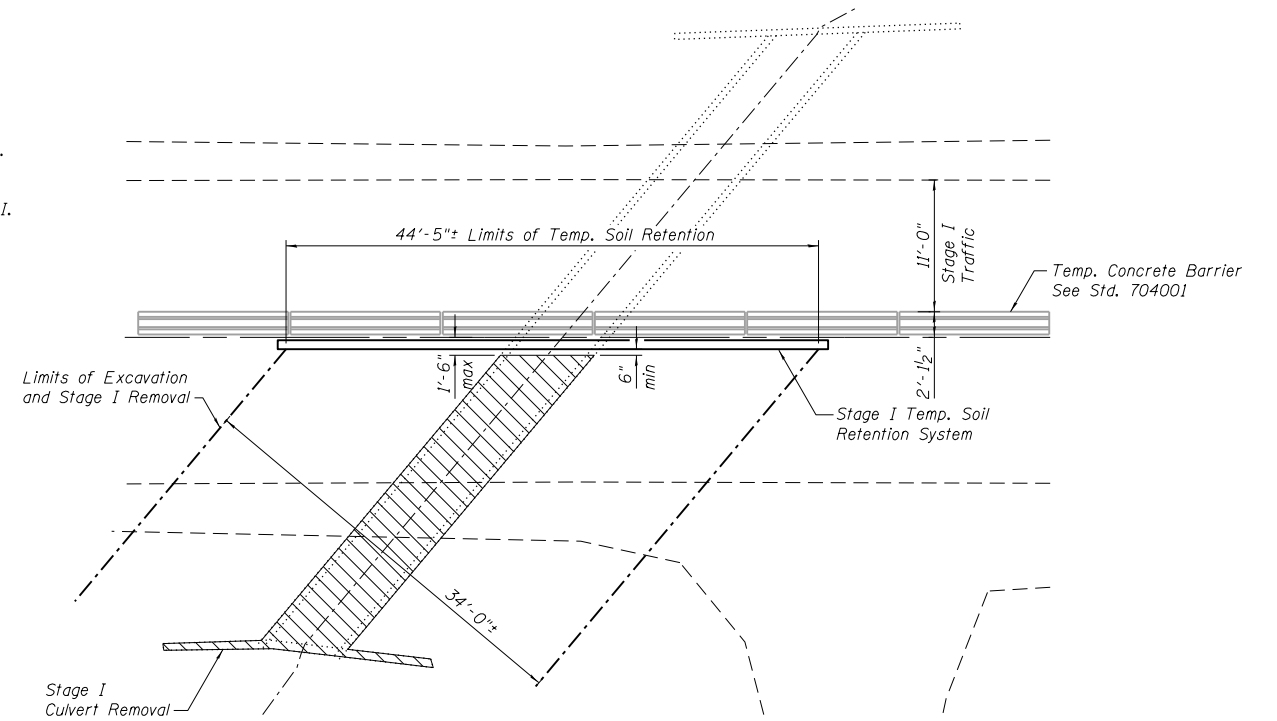


STAGE I - CROSS SECTION

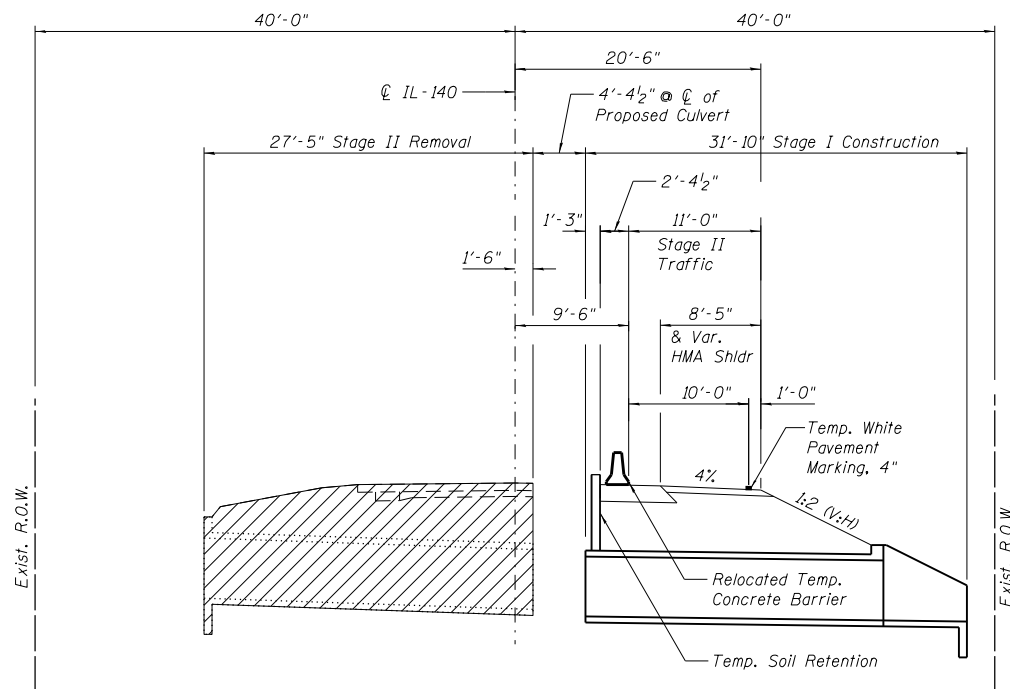
(Looking East)
(Dim. at Rt. L's to \varnothing Rdwy.)

STAGE CONSTRUCTION SEQUENCE

1. Place Stage I Traffic Control.
2. Remove Stage I Pavement.
3. Install Temporary Soil Retention System for Stage I.
4. Excavate, Remove Stage I Existing Culvert.
5. Construct Stage I Culvert.
6. Install Temporary Soil Retention System for Stage II.
7. Backfill Culvert & Construct Pavement and Widening.
8. Move Traffic Control for Stage II.
9. Remove Stage II Pavement and Culvert.
10. Construct Stage II Culvert.
11. Backfill Culvert.
12. Remove Temporary Soil Retention System.
13. Construct Roadway.
14. Remove Traffic Control.

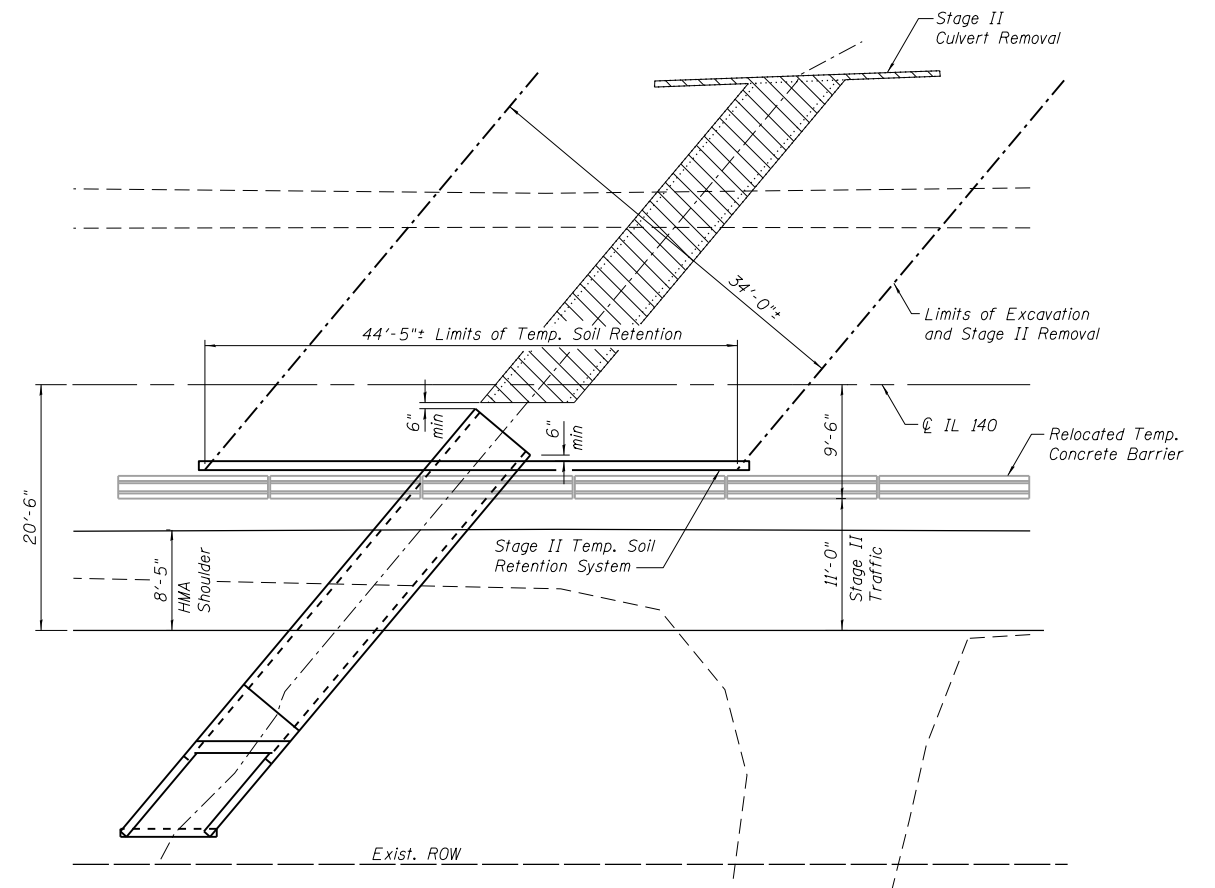


STAGE I - PLAN



STAGE II - CROSS SECTION

(Looking East)
(Dim. at Rt. L's to \varnothing Rdwy.)



STAGE II - PLAN

FILE NAME =	USER NAME =	DESIGNED -	REVISED
		CHECKED -	REVISED
		DRAWN -	REVISED
		CHECKED -	REVISED

**STATE OF ILLINOIS
DEPARTMENT OF TRANSPORTATION**

**STAGE CONSTRUCTION PLAN
STA. 734 + 80.00 CULVERT REPLACEMENT - S.N. 060-2490**

SHEET NO. 2 OF 8 SHEETS

F.A.P. RTE.	SECTION	COUNTY	TOTAL SHEETS	SHEET NO.
785	(133M134,135)RS-4	MADISON	28	22
CONTRACT NO. 76C58				

ILLINOIS FED. AID PROJECT