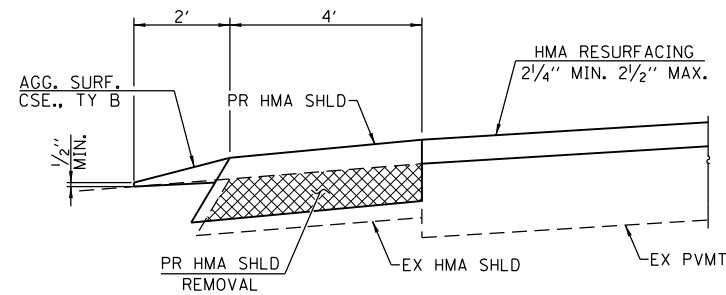
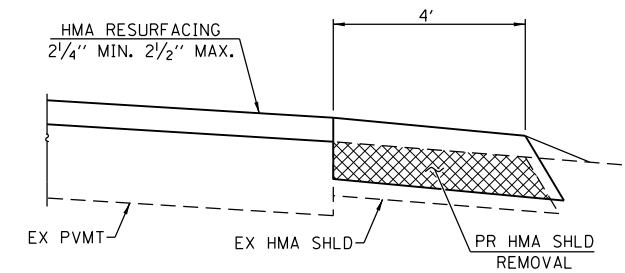


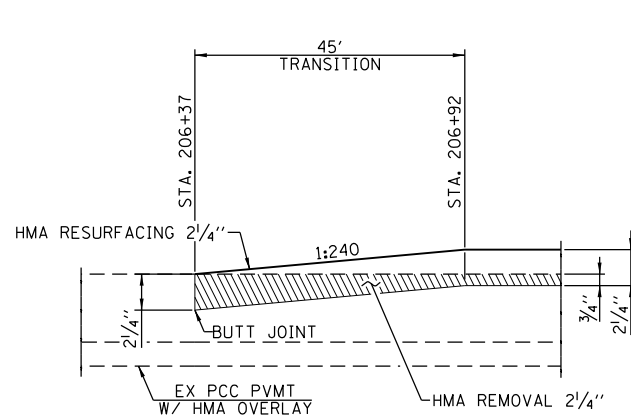
SECTION A-A
(AT SIDE ROAD AND COMMERCIAL
ENTRANCE LOCATIONS)



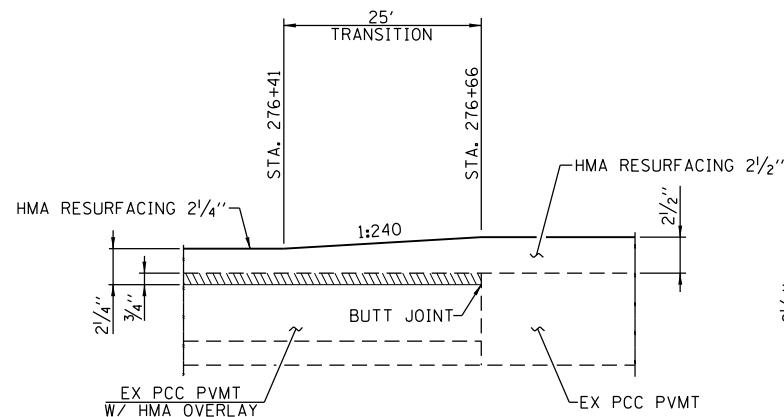
SECTION B-B
(AT P.E. & F.E. LOCATIONS)



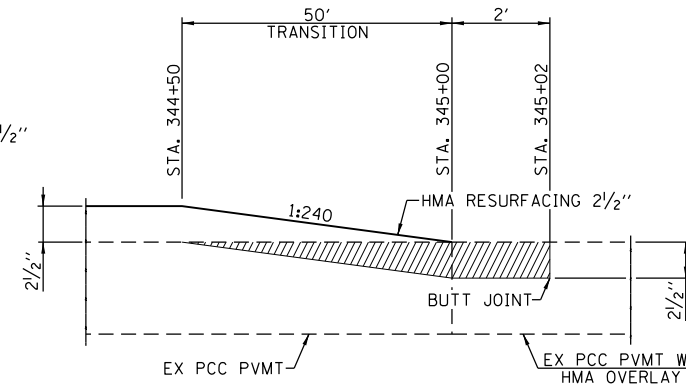
TYPICAL SECTION AT MAILBOX TURNOUT
NOTE: SEE STANDARD 406201 FOR MAILBOX TURNOUT DETAILS



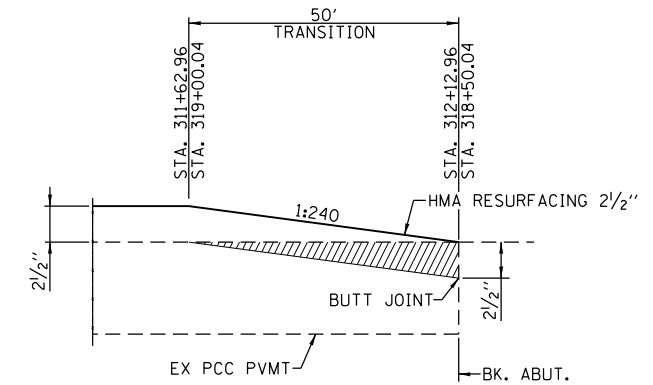
RESURFACING TRANSITION DETAIL
STA. 206+37 TO STA. 206+92



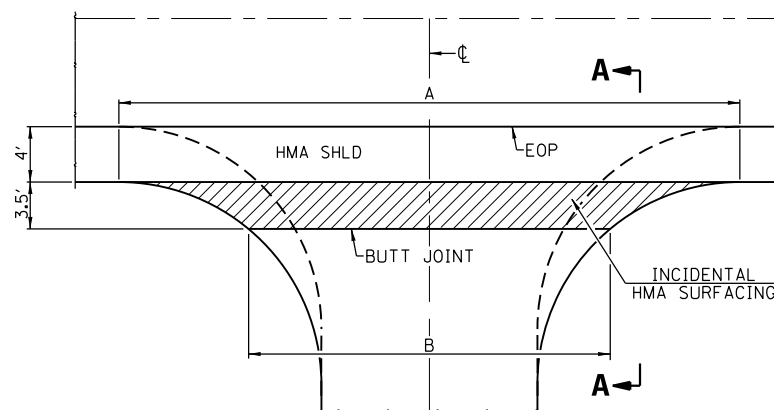
RESURFACING TRANSITION DETAIL
STA. 276+41 TO STA. 276+66



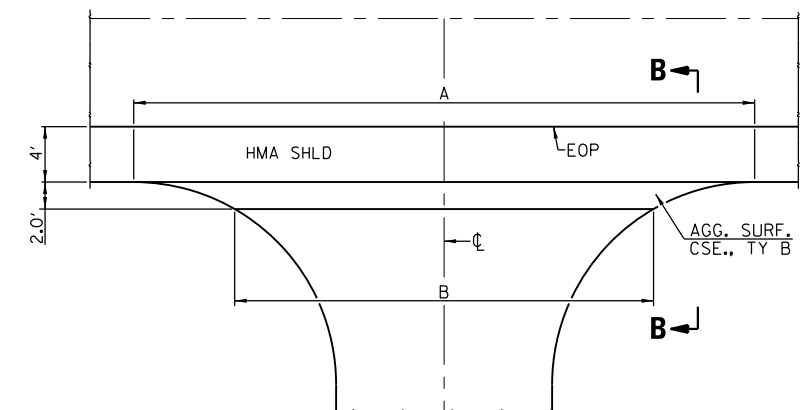
RESURFACING TRANSITION DETAIL
STA. 344+50 TO STA. 345+02



RESURFACING TRANSITION DETAIL
(AT S.N. 031-022)



**SIDEROAD & COMMERCIAL
ENTRANCE DETAIL**



ENTRANCE DETAIL
(AT P.E. & F.E. LOCATIONS)

USER NAME = *USER*	DESIGNED -	REVISED -
	DRAWN -	REVISED -
PLOT SCALE = *SCALE*	CHECKED -	REVISED -
PLOT DATE = *DATE*	DATE -	REVISED -



Allen Henderson & Associates, Inc.
Civil and Structural Engineers Springfield, IL
62703 Phone: (217)544-8033 IL Design Firm
No. 184-001907

DETAILS		
SCALE: NONE	SHEET NO. 1 OF 1 SHEETS	STA. TO STA.

F.A.P. RTE.	SECTION	COUNTY	TOTAL SHEETS	SHEET NO.
310	(55,56)RS-3	GREENE	15	14
CONTRACT NO. 76H12				
FED. ROAD DIST. NO. ILLINOIS FED. AID PROJECT				